

**LACHY**



L: 147mm UGR<19 IP44



LINEAR RECESSED DOWN LIGHT. Housing: aluminium, powder-coated, designed as heat sink. Anti-glare reflector and diffuser system made of PMMA. LED module: high-power CREE LEDs Array, CRI>80, LM-80 performance approval >50,000 hours. Integrated-Type ELV , 0-10V, DALI, DMX and RDM LED constant current control gear. Ingress protection: IP44.UGR<19.

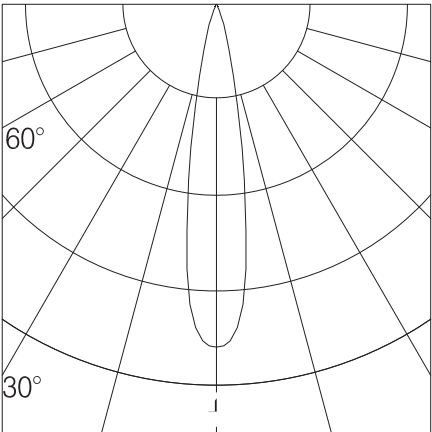
## Technical Data

Luminaire Type-安裝方式Tipo de luminaria	Recessed Mount Type嵌入式線條燈Empotrada Tipo Mount
Dimension-尺寸-Dimensión	L:147x W:45 x H: 49 mm
Cut off Dimension-開孔尺寸-Cortar Dimensión	L:140 x W:37
QTY of LEDs-燈珠數量-CANT de LEDs	5 pcs CREE LED Array
Input Voltage-輸入電壓-Voltaje de entrada	AC100-240V 50/60HZ
Power Consumption Max-燈具功率 Consumo de energía Max	• 10W • 15W
LED Driver Type LED驅動款式 Tipo de controlador LED	Remote-type LED Driver--Refer to LED driver specification 請參閱LED驅動器規格 Consulte la especificación de controlador de LED 1. ON/OFF Switch AC100-240V 50/60HZ 2. ELV Dimming Driver (5-100%) AC 100-120V 50/60Hz or AC 200-240V 50/60HZ 3. 0-10V Dimming Driver AC100-240V 50/60HZ 4. Dali Dimming Driver AC100-240V 50/60HZ 5. DMX Driver AC100-240V 50/60HZ 6. RDM Driver AC100-240V 50/60HZ 7. Emergency Backup >2 hours or >3 hours @ < 24 charger hours 應急電池/Copia de seguridad de emergencia
LED Driver Features驅動特性 Funciones del controlador de LED	POWER FACTOR : PF>0.90 @ Full Load TOTAL HARMONIC DISTORTION: THD< 20%
Control Protocol-控制協議 Protocolo de Control	1-10V / Dali / DMX 512 / RDM / ZIGBEE Wireless Control
Beam Angle光束角ángulo de haz	• 15° 30° 48°
Light Source Brand-光源品牌-Fuente de luz de marca	CREE - ( Photobiological safety-IEC 62471 'Risk Group 1' (low risk) )
"Lumen Maintenance LM-80 Reported by TM-21"	1. L90(10k) = 50,700 hrs 2. L80(10k) > 63,500 hrs 3. L70(10k) > 63,500 hrs
LED Life-LED壽命-La vida del LED	>60,000 hours
Color Temperature -色溫 Temperatura del color	2700K / 3000K / 4000K / 5000K / 6500K
Color Rendering Index-顯色指數 Índice de reproducción cromática	> 80 >90
MacAdam Ellipses Binning 麥克亞當橢圓分級 Mac Adam binning elipse	Standard Deviation Colour Matching < 3 SDCM 標準偏差配色 < 3 SDCM Coincidencia de color estándar Desviación < 3 SDCM
Luminaire Efficacy燈具效率 La eficacia de la luminaria	• 100 Lm/w(2700K), 105 Lm/w(3000K), 115 Lm/w(4000K), • 120 Lm/w(5000K), 120 Lm/w(6500K),
LED Source Luminous Efficacy LED光源光效 Fuente luminosa LED Eficacia	• 130 Lm/w(2700K), 135 Lm/w(3000K), 145 Lm/w(4000K), • 150 Lm/w(5000K), 150 Lm/w(6500K),
Housing materials-外殼材料 Materiales de la carcasa	Die-cast aluminum and PMMA Lens and Polycarbonate Reflector 壓鑄鋁和PMMA 透鏡和 PC反光杯 Lente de aluminio fundido a presión y PMMA y reflector de policarbonato
Trim Color-框邊顏色-Estilo Color	Matte white / Matte black 啞光白色 / 啞光黑色 Blanco mate / Matte black
Reflector Color-反光杯顏色-Reflector color	Matte Silver 啞銀Plata mate Black 黑色 Negro White 白色 Blanco Dark Specular 亮黑色Especular oscuro Gold 金色 Oro
Ingress Protection-防護等級 Protección de ingreso	IP44
operating Humidity -工作濕度 Humedad de funcionamiento	0~90%, non-condensing-不結霜 sin condensación
Operating Temperature Range / 工作溫度範圍 Rango de temperatura de función amiento	-30 °C / +50 °C
Comply Testing Standard 符合測試標準 Cumplir el estándar de prueba	ED Luminaires: IEC/EN 60598-1 ; IEC/EN 60598-2-2 ; IEC/ EN62493 ; IEC/EN 62301 ; IEC TR 62778 & IEC 62471 (RG0) LED Driver: EN 55015 / IEC 61000-3-2 / IEC 61347-1 / IEC 61347-2-13 / IEC 61547
Certification-認證-Certificación	     

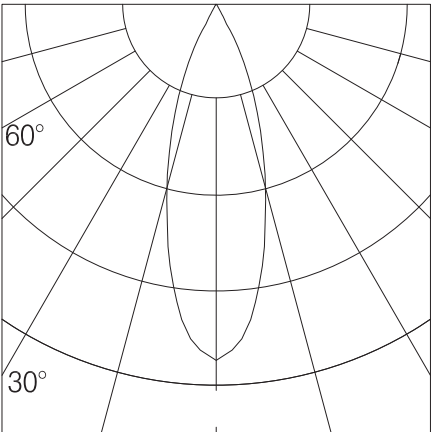


BEAM ANGLE

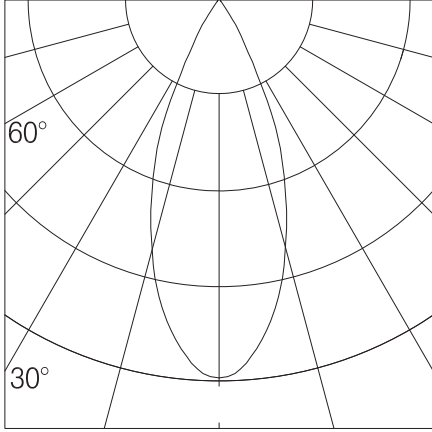
15°



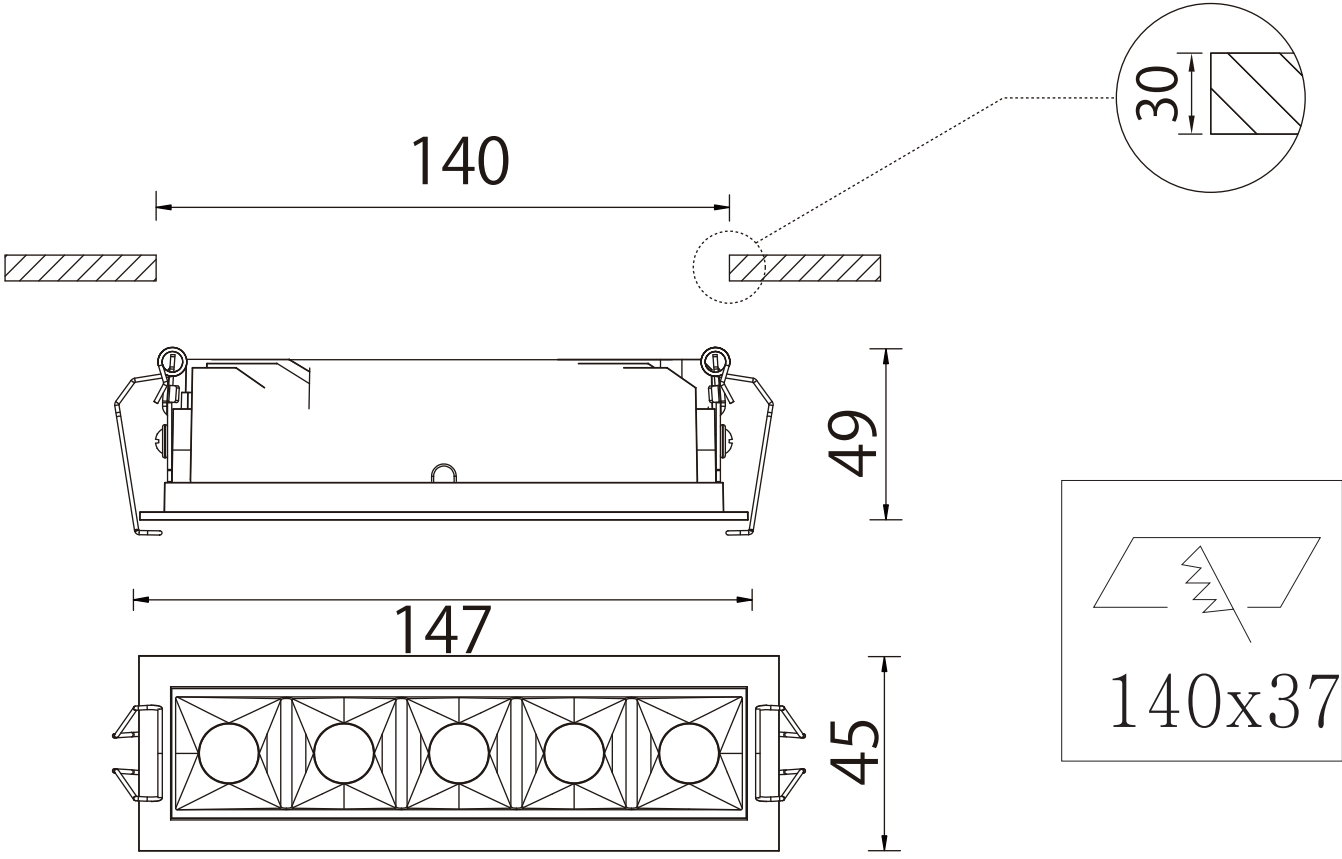
30°



48°



Technical Drawing



Unit: mm