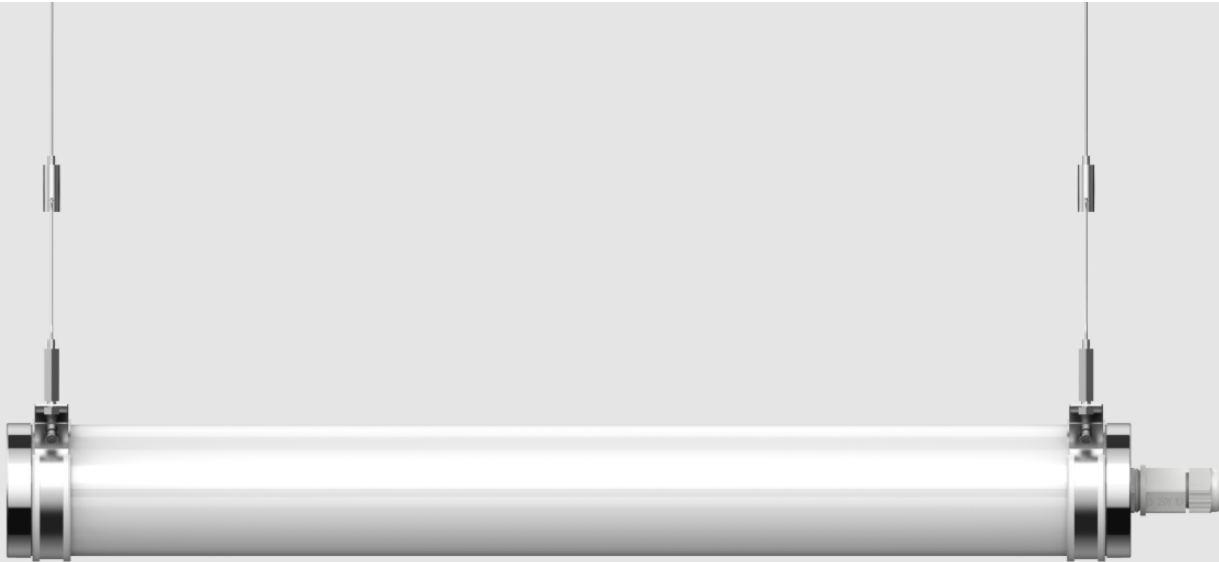
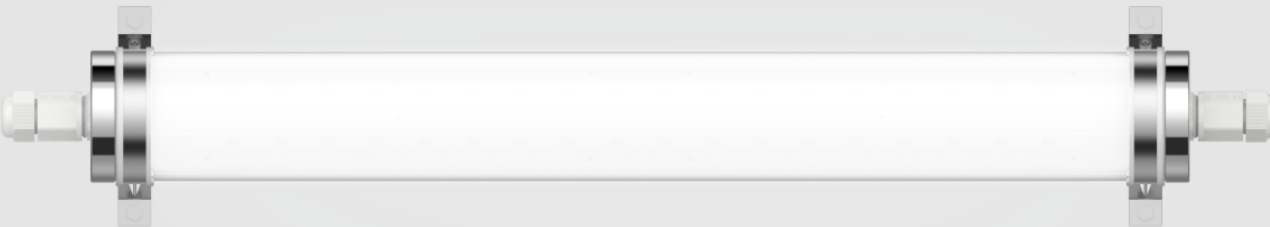


LAHAN-TUBULAR

Max. 50W IP69 IK10



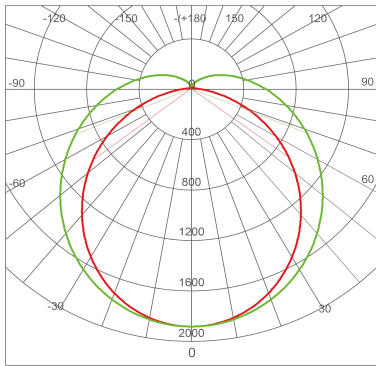
Suspended



Surface Mounted

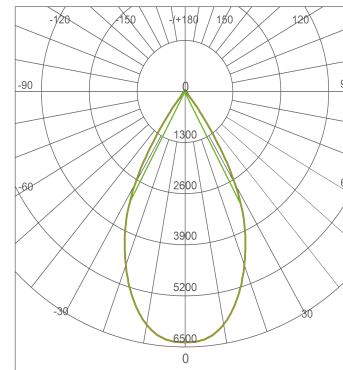
- It is an innovative LED Tubular light which can be used very flexibly.
- Be it aviaries, Animal farm, Swimming Pool (Chlorine gas), Chemical factory, Office, or Food industry factory, there are nearly no boundaries.
- IP69K, against water pressure of 100bar(1450psi) and temperature of 80°C
- Glare free UGR<19, beam angle 60° or 90°
- PMMA clear/milk cover(anti-corrosion), PC clear/milk cover(IK10).
- Quick connection. It can be linkable together one by one.
- Surface Mount or Suspended
- 1-10v, DALI optional

Beam Angle



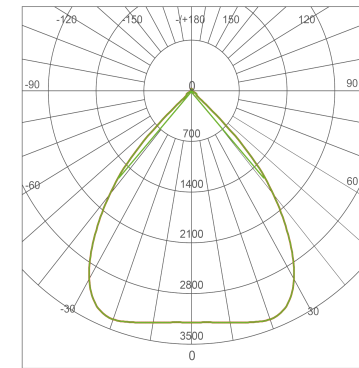
Milky Diffuser

120°



Clear PC with PMMA Lens

60°



Clear PC with PMMA Lens

90°



Flexible in wiring connection

Non-linkable Solution

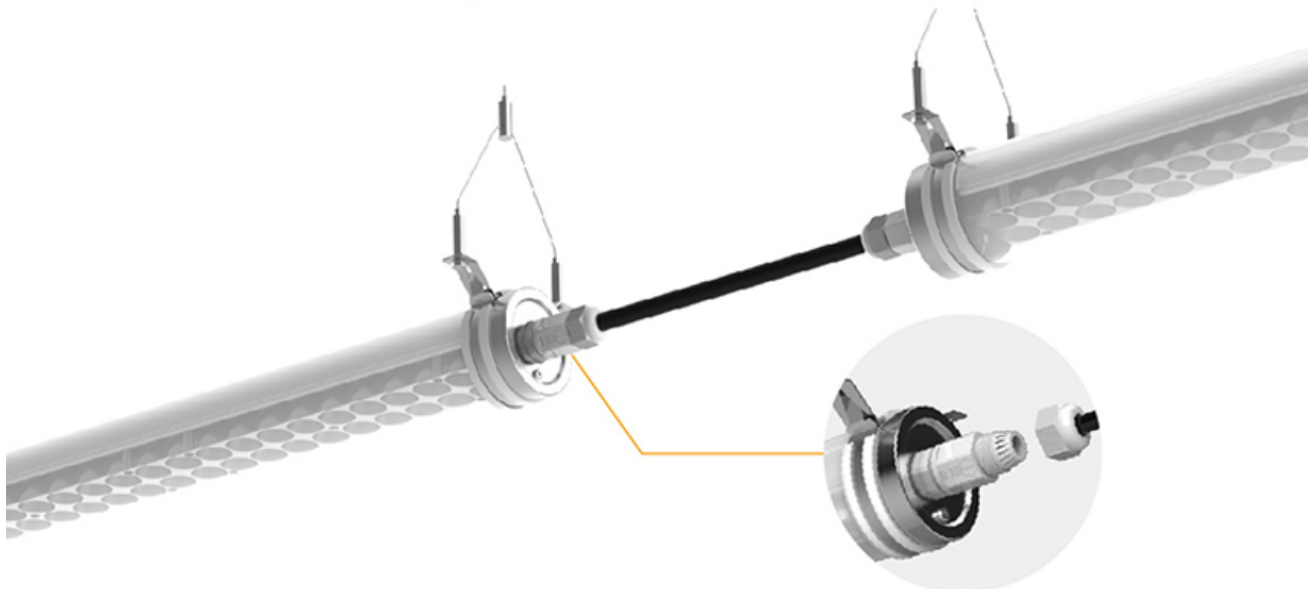


Linkable solution

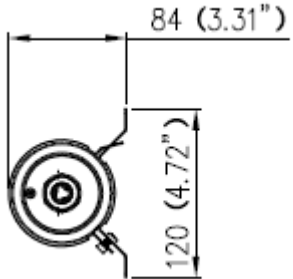
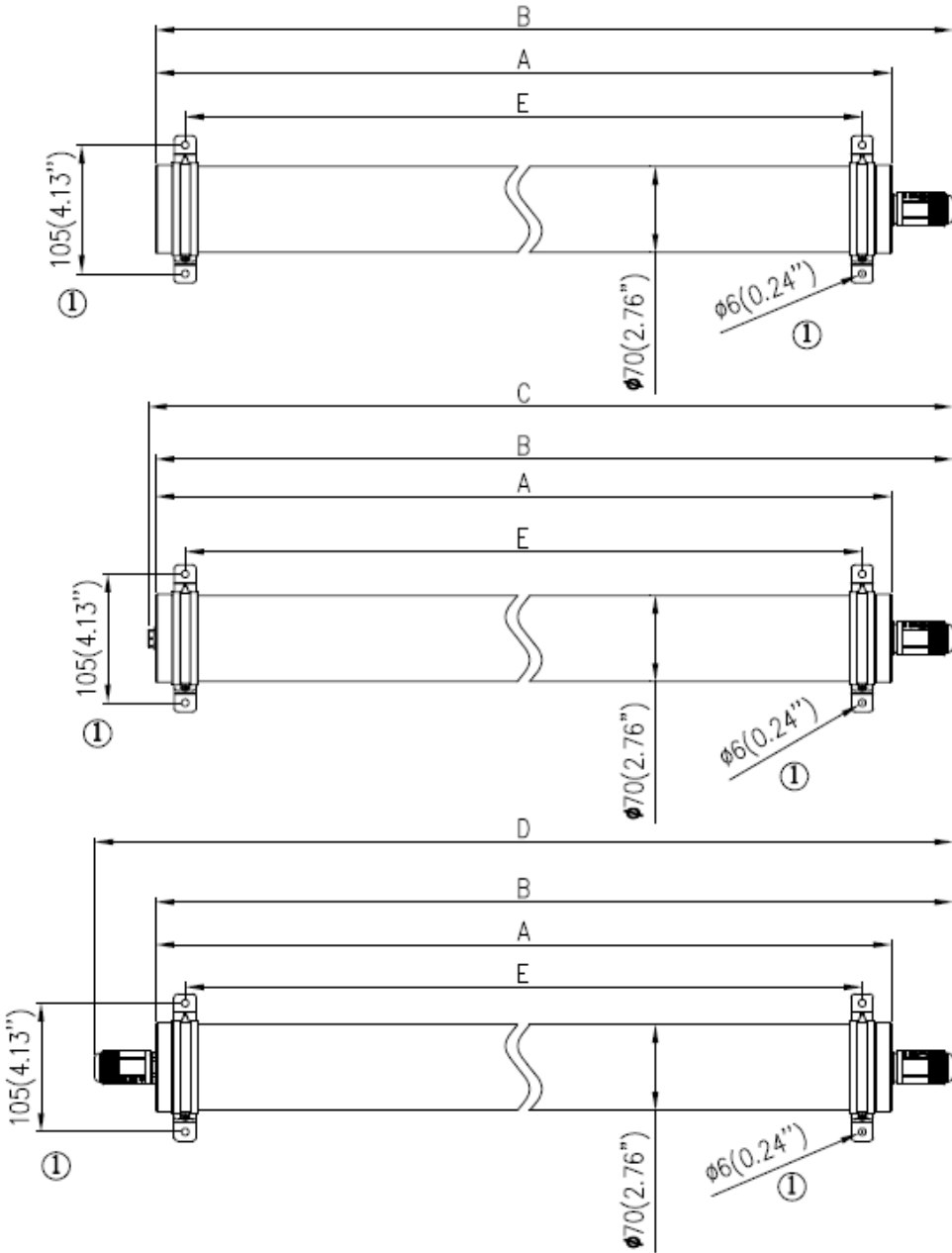
Flexible in wiring connection

Click the terminal block to fix or take out cables quickly.

With plug-and-play 316 stainless steel end caps and bracket, lights can be connected with each other from side easily.

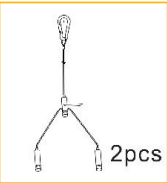


Technical Drawing



A		B		C		D		E	
mm	in	mm	in	mm	in	mm	in	mm	in
600	23.62	650	25.59	656	25.83	700	27.56	552	21.73
1128	44.41	1178	46.38	1184	46.61	1228	48.35	1080	42.52
1390	54.72	1440	56.69	1446	56.93	1490	58.66	1342	52.84

- A-Length of the body;
- B-Length of the body with single connector;
- C-Length of the body with single connector and vent;
- D-Length of the body with double connectors.
- E-Length between the bracket installation holes

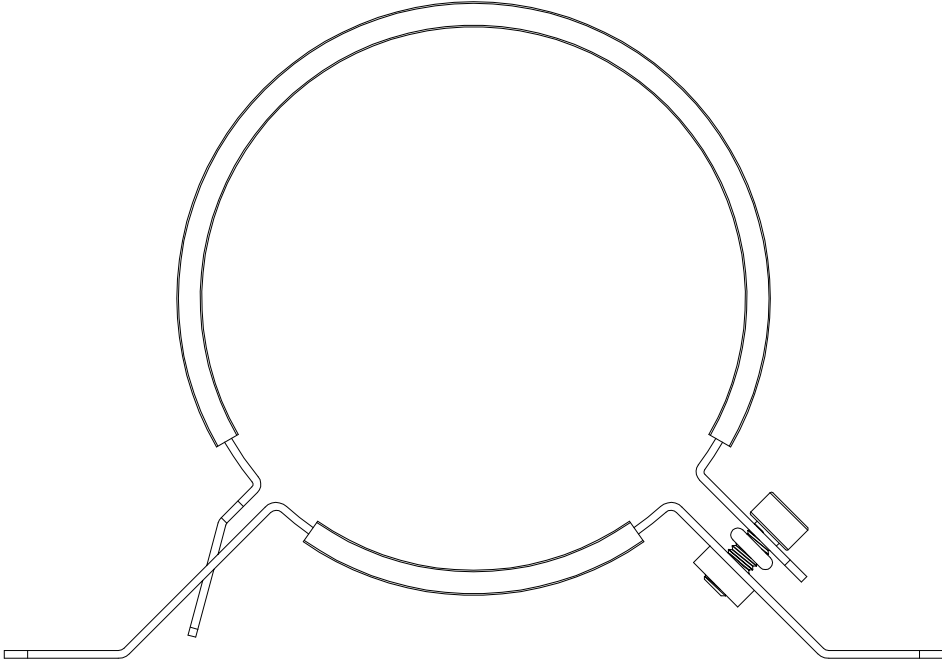
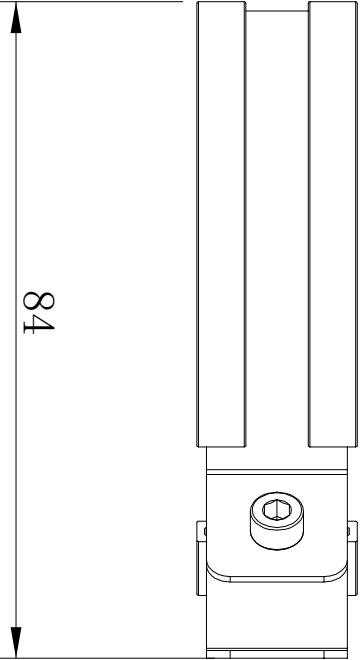
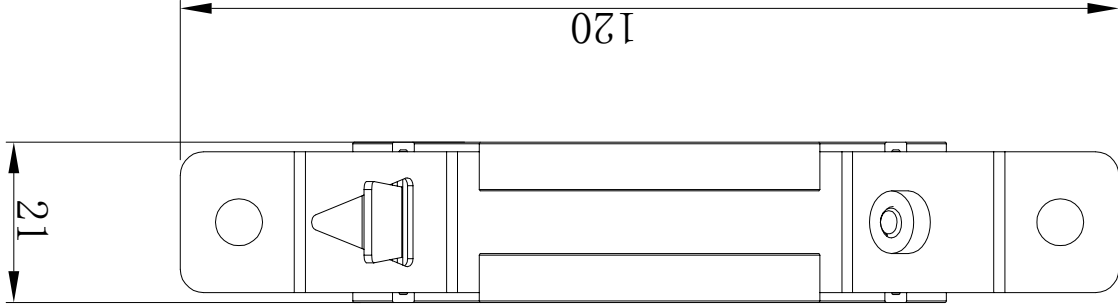


Suspension kit
304 stainless steel, available for 1.5m long.
Code: DM-L13-01



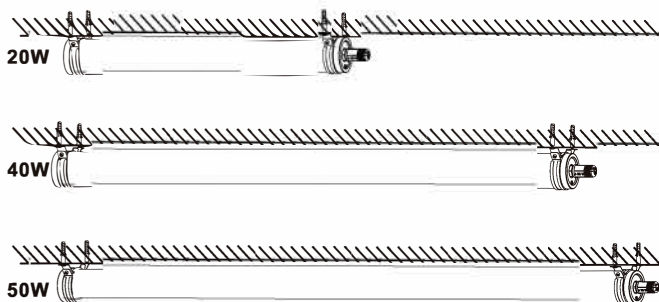
Ceiling mount bracket
316 stainless steel.
Code: DM-L13-01

Technical Drawing



Unit: mm

Installation Instructions

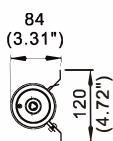
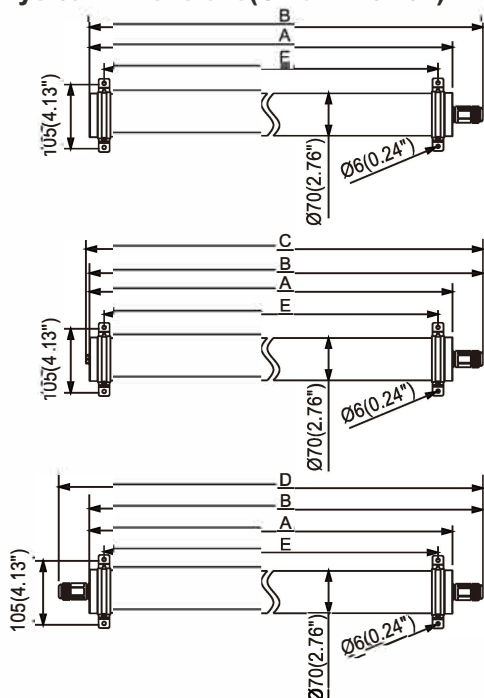


Packing List	
	2pcs
	4pcs
	4pcs

**100-277VAC/
220-240VAC
50/60Hz**

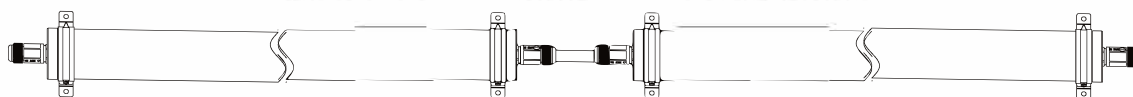


Physical Dimensions(Unit: mm/inch)



- A-Length of the body;
- B-Length of the body with single connector;
- C-Length of the body with single connector and vent;
- D-Length of the body with double connectors.
- E-Length between the bracket installation holes

A		B		C		D		E	
mm	in	mm	in	mm	in	mm	in	mm	in
600	23.62	650	25.59	656	25.83	700	27.56	552	21.73
1128	44.41	1178	46.38	1184	46.61	1228	48.35	1080	42.52
1390	54.72	1440	56.69	1446	56.93	1490	58.66	1342	52.84



Carrying capacity of the breaker(100-277V)

Power \ Breaker	B16	B25	B60(Max)	C16	C25	C60(Max)
20W	24PCS	37PCS	72PCS	41PCS	62PCS	72PCS
40W	24PCS	33PCS	33PCS	33PCS	33PCS	33PCS
50W	24PCS	27PCS	27PCS	27PCS	27PCS	27PCS

Carrying capacity of the breaker(220-240V)

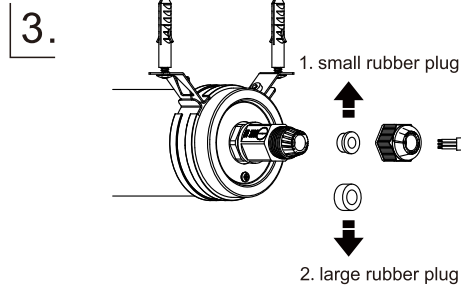
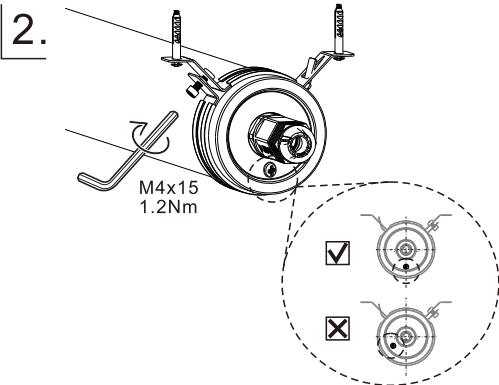
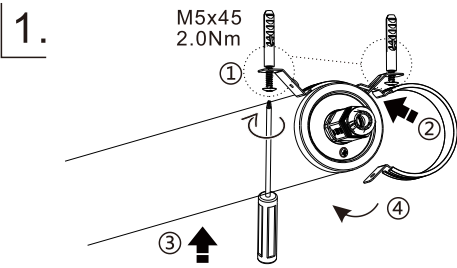
Power \ Breaker	B16	B25	B60(Max)	C16	C25	C60(Max)
20W	10PCS	15PCS	30PCS	20PCS	26PCS	30PCS
40W	20PCS	31PCS	33PCS	34PCS	34PCS	34PCS
50W	11PCS	17PCS	27PCS	18PCS	27PCS	27PCS

When using three phase electricity, the qty of spliced fixtures can be 3 times of that using single phase. Above info is just for reference, in practice please also consider the difference of the breaker of different brands/items.

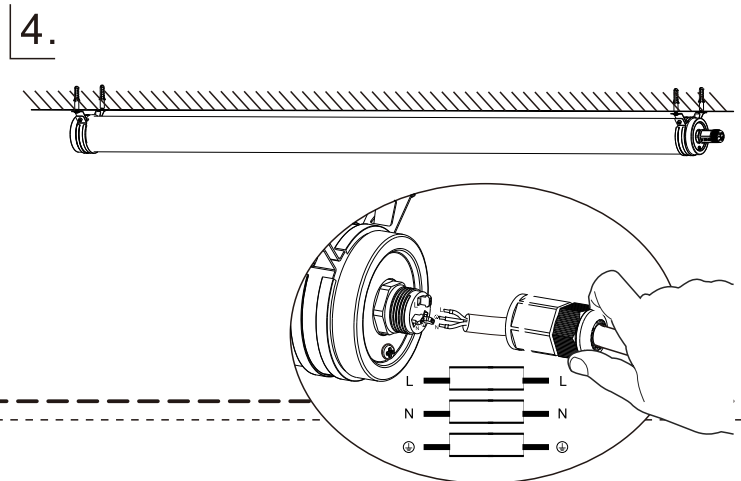
LAHAN -TUBULAR

Installation Instructions

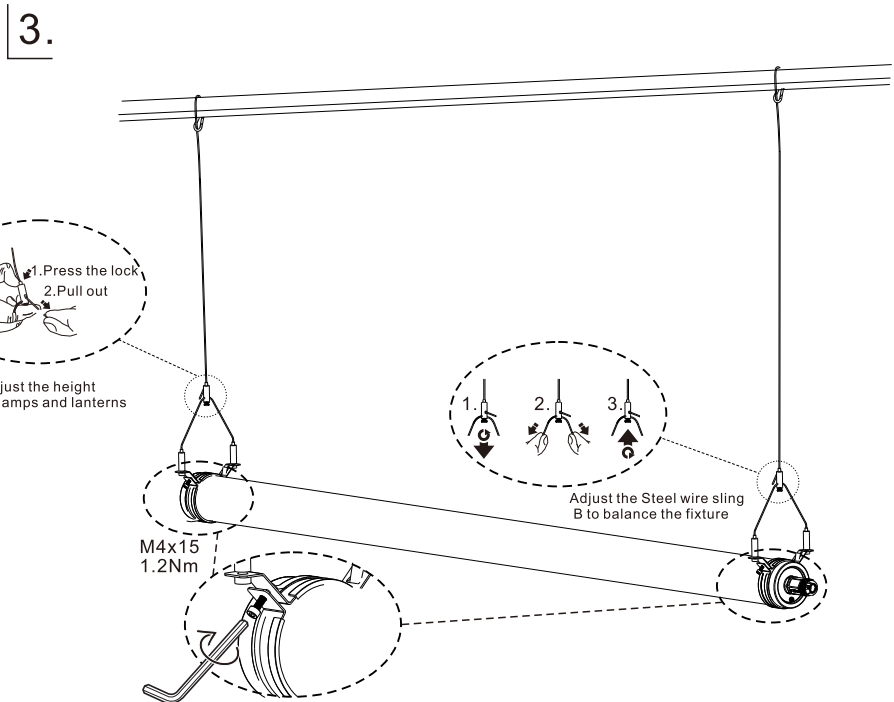
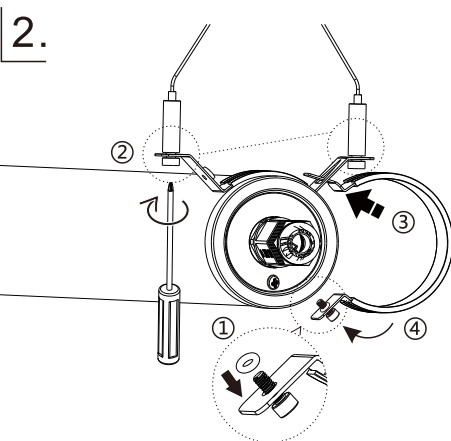
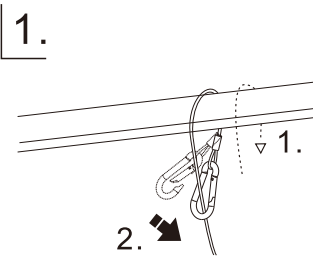
A. Ceiling mounting



When the outer diameter of the power cord is 5-7.5mm, use small rubber plug with waterproof connector; When the outer diameter of the power cord is 7.5-10mm, use a large rubber plug with waterproof connector.



B. Suspension mounting(optional)



AC cords

L	brown		black
N	blue		white
⊕	yellow/green		green

DIM cords

Note: color for dim cords subject to the cable label on luminaire



Warning! Do not wire dim cord to high voltage, or dim function will fail.

·if the external flexible cable or cord of this luminaire is damaged, it shall be exclusively replaced by the manufacturer or his service agent or a similar qualified person in order to avoid a hazard.