

## LAHAN-W

W60xH60mm IP67 Max 36W

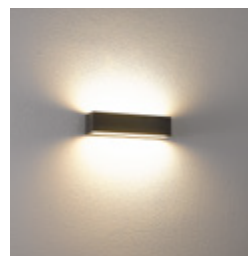
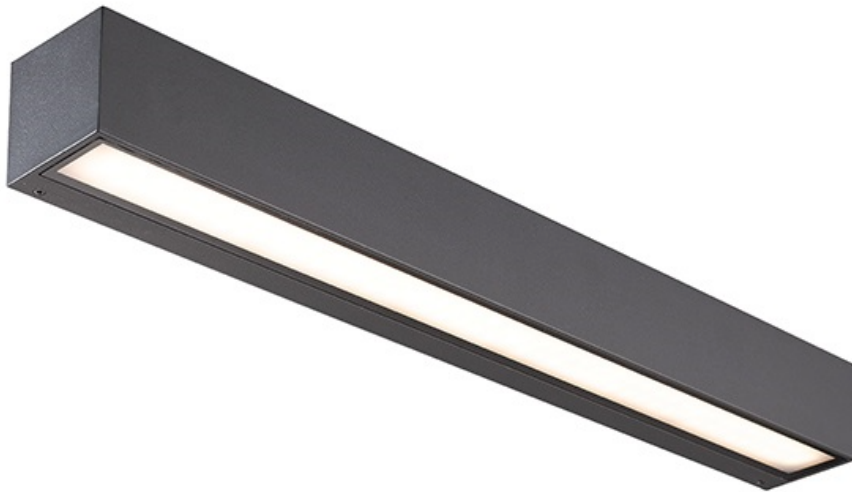


UK  
DESIGN

IK 08



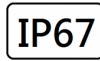



IP67

0-10V



- Die-cast aluminium Aluminium with Clear Tempered glass and Silicon rubber gasket
- Resistant to corrosive environment. Coated with epoxy resin and UV stabilized polyester powder.
- Protection: IP67
- IK Rating: Protection against mechanical impact IK10
- Finish Color: Black RAL9005 / Grey RAL 9006 / White RAL 9003

## Technical Data

|  |   |
|--|---|
| Luminaire Type-安裝方式 Tipo de luminaria  | Wall mounted Type 壁裝燈具 Tipo montado en la pared   |
| Dimension-尺寸-Dimensión   | <ul style="list-style-type: none"> <li>• L: 250 x W: 60 x H: 60mm</li> <li>• L: 500 x W: 60 x H: 60mm</li> </ul>  |
| Power Consumption Max-燈具功率<br>Consumo de energía Max                           | <ul style="list-style-type: none"> <li>• L: 250:mm Up Light or Down Light : 7W</li> <li>• L: 250:mm Up Light and Down Light : 15W</li> <li>• L: 500 :mm Up Light or Down Light : 16W</li> <li>• L: 500:mm Up Light and Down Light : 20W</li> </ul>  |
| Input Voltage-輸入電壓-Voltaje de entrada  | AC220-240V 50/60HZ  |
| LED Driver Type<br>LED驅動款式<br>Tipo de controlador LED                          | Integrated-type LED Driver-Refer to LED driver specification 請參閱LED驅動器規格<br>Consulte la especificación de controlador de LED<br>1. ON/OFF Switch AC100-240V 50/60HZ<br>2.1 -10V Dimming Driver AC100-240V 50/60HZ<br>3. Dali Dimming Driver AC100-240V 50/60HZ or DC48V with Dali Dimming<br>4. Remote Type Emergency Battery Kit with battery Back up 2 hours or 3hours  |
| LED Driver Features驅動特性<br>Funciones del controlador de LED                    | <ul style="list-style-type: none"> <li>• POWER FACTOR : PF&gt;0.90 or PF:&gt;0.95 Refer to LED Driver Data sheet</li> <li>• TOTAL HARMONIC DISTORTION: THD&lt; 20% Refer to LED Driver Data sheet</li> </ul>  |
| Control Protocol-控制協議<br>Protocolo de Control                                  | 1-10V / Dali  |
| Beam Angle/光束角/ángulo de haz   | 110°  |
| Light Source Brand-光源品牌-Fuente de luz de marca                                 | OSRAM LED   |
| "Lumen Maintenance LM-80 Reported by TM-21"                                    | L70(10k) > 63,500 hrs   |
| LED Life-LED壽命-La vida del LED   | >60,000 hours   |
| Color Temperature -色溫Temperatura del color                                     | 2700K / 3000K / 4000K / 5000K / 6500K   |
| Color Rendering Index-顯色指數<br>Índice de reproducción cromática                 | > 80  |
| MacAdam Ellipses Binning 麥克亞當橢圓分級<br>Mac Adam binning ellipse                  | Standard Deviation Colour Matching < 3 SDCM 標準偏差配色< 3 SDCM<br>Coincidencia de color estándar Desviación < 3 SDCM  |
| Luminaire Efficacy 燈具效率<br>La eficacia de la luminaria                         | 90 lm/w(2700K), 90lm/w(3000K), 100 lm/w(4000K),<br>110 lm/w(5000K), 110 lm/w(6500K)   |
| LED Source Luminous Efficacy LED光源光效<br>Fuente luminosa LED Eficacia           | 130 lm/w(2700K), 130lm/w(3000K), 140 lm/w(4000K),<br>150 lm/w(5000K), 150 lm/w(6500K)   |
| Housing materials-外殼材料<br>Materiales de la carcasa                             | Die-cast Aluminium and Clear Tempered Glass<br>壓鑄鋁和透明鋼化玻璃<br>Aluminio fundido a presión y vidrio templado transparente  |
| Housing Color外殼顏色 color de la carcasa  | Coated with epoxy resin and top coated with UV stabilized polyester powder<br>Color: Black RAL9005 Grey RAL 9006 / White RAL9003<br>顏色: 黑色RAL9005 銀灰色RAL 9006 /白色RAL9003<br>Color: Negro RAL9005 / Grey 9006 / Blanco RAL9003   |
| Ingress Protection-防護等級 Protección de ingreso                                  | IP67  |
| Mech impact protection 機械衝擊保護<br>Protección contra impactos mecánicos          | IK08  |
| Operating Temperature Range / 工作溫度範圍<br>Rango de temperatura de funcionamiento | -20 °C / +50 °C   |
| Operating Humidity -工作濕度<br>Humedad de funcionamiento                          | 0~90%, non-condensing-不結霜<br>sin condensación   |
| Comply Testing Standard 符合測試標準<br>Cumplir el estándar de prueba                | LED Luminaries: LVD: IEC/EN 60598-1;EN / IEC/EN 60598-2-1;IEC62471;IEC/EN 62031;<br>IEC/EN 62493 ; IEC/EN 62471(Risk Group 1)EN60598-2-22 Hot Wire Testing: 850°C<br>LED Driver: IEC/EN 61347-1; IEC/EN 61347-2-13; IEC/EN 62384; IEC/EN 61000-3-2;<br>IEC/EN 61000-3-3;IEC/EN61574;EN 55015 ; IEC /EN 62384  |
| Certification-認證-Certificación   |     <br> |

|         |          |      |
|---------|----------|------|
| Project | Fixture# | Date |
|         |          | Firm |

## Ordering Information

Choose the option that suits your need and write its corresponding code on the appropriate line to form the product code.

Example product code: [LAHAN-20W](#)

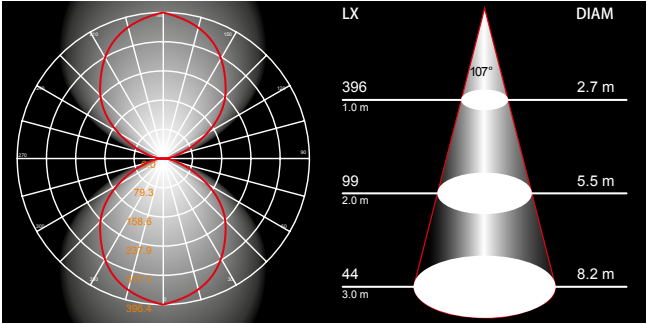
LAHAN-W - -

Power Consumption

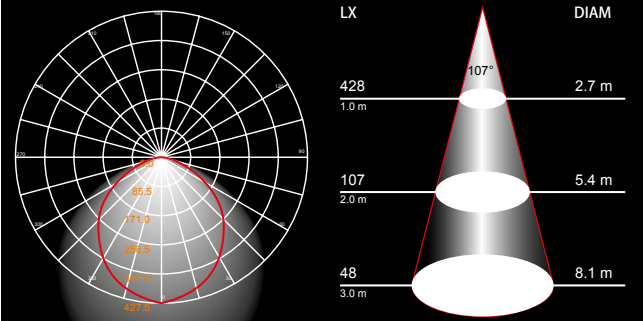
| Power Consumption   |  |
|---------------------|--|
| Code                | Description                            |
| <a href="#">7W</a>  | 7W@L: 250:mm Up Light or Down Light    |
| <a href="#">15W</a> | 15W@ L: 250:mm Up Light and Down Light |
| <a href="#">16W</a> | 16W@ L: 500 :mm Up Light or Down Ligh  |
| <a href="#">20W</a> | 20W@ L: 500 :mm Up Light or Down Ligh  |



BEAM ANGLE

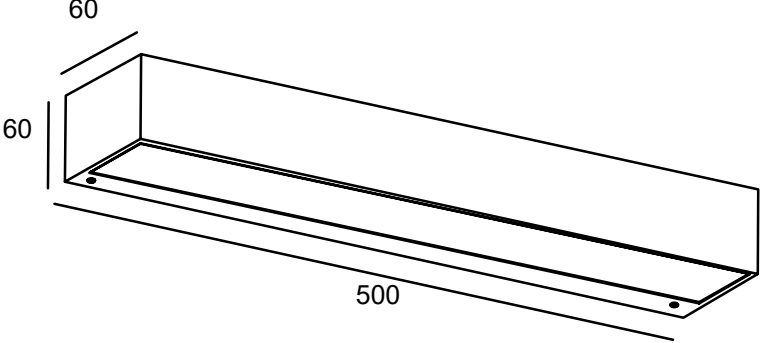
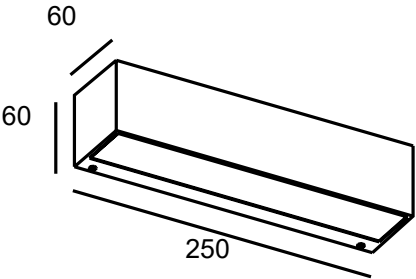


Up and Down Light



Down Light

Technical Drawing



Unit: mm