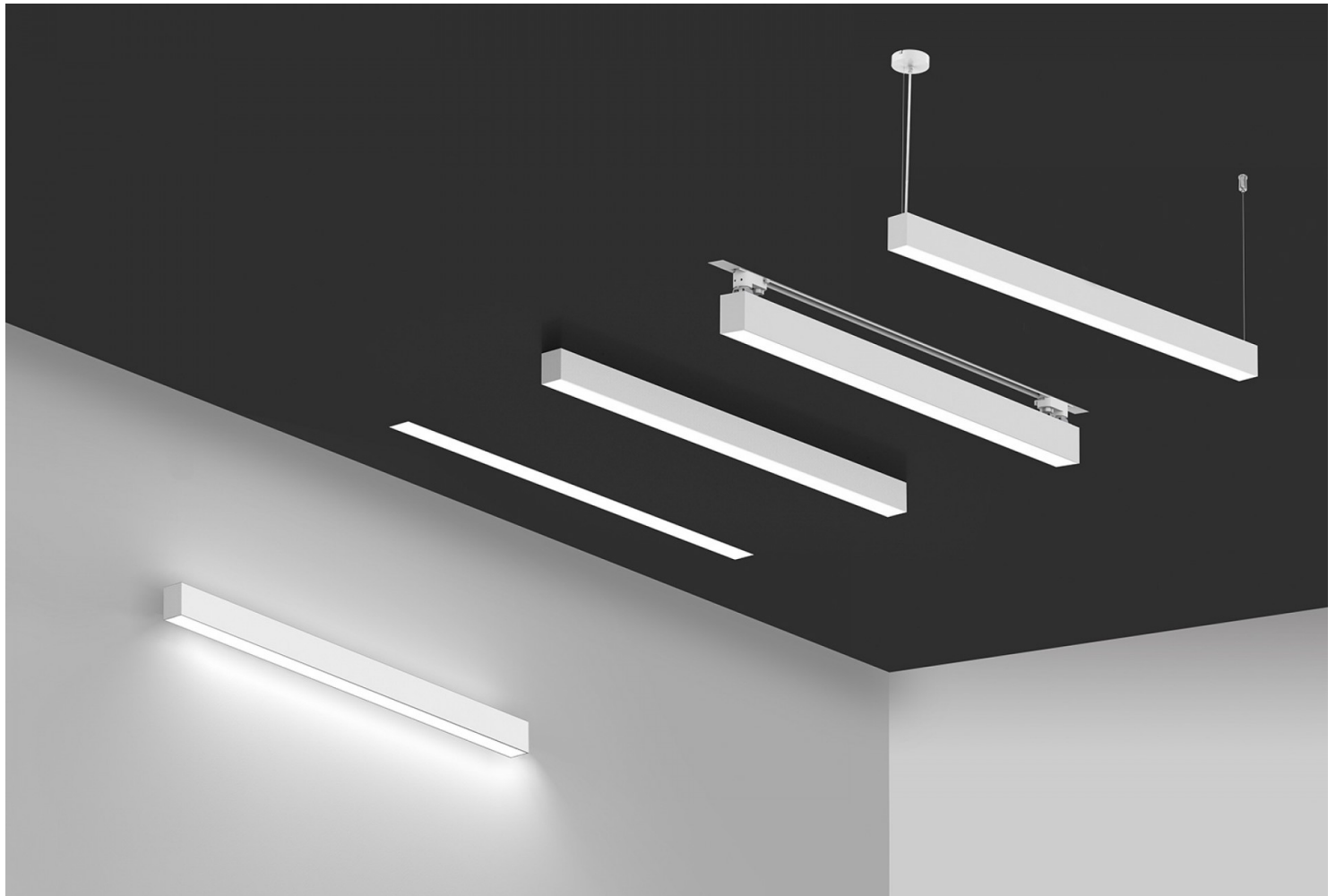
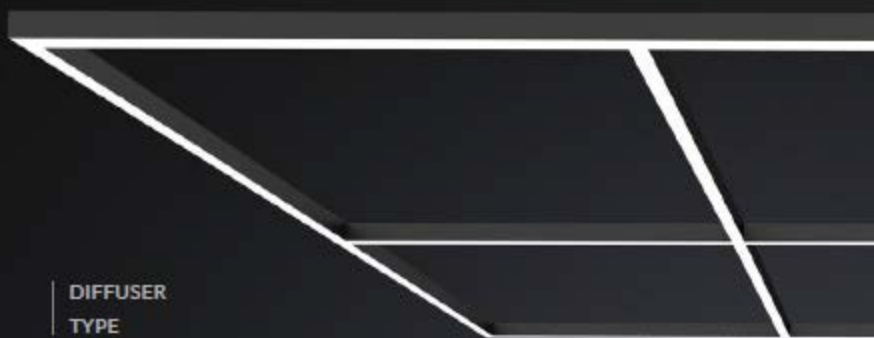


LAHO (Diffuser) System

W57xH76 mm Max IP20



LAHO (Diffuser) System is new linkable design linear light. Adopt high lumen efficiency SMD LED with even light output, aluminum light body providing excellent thermal management. Pendant with steel rope, pendant with round ceiling plate, surface mounted, wall mounted, recessed and track installation are all available. With Corner /Cross/ Straight/ T shaped connectors for multiple shape design. Anti-glare design with reflector UGR<19. Continuous lighting with no dark areas with opal and prismatic polycarbonate diffuse



DIFFUSER
TYPE

Upper Glowing
Accessories

Connection
accessories



Blank fixture



Corner "L"



"T" shape



Cross "I"



Cross "Y" **NEW**





Introduction

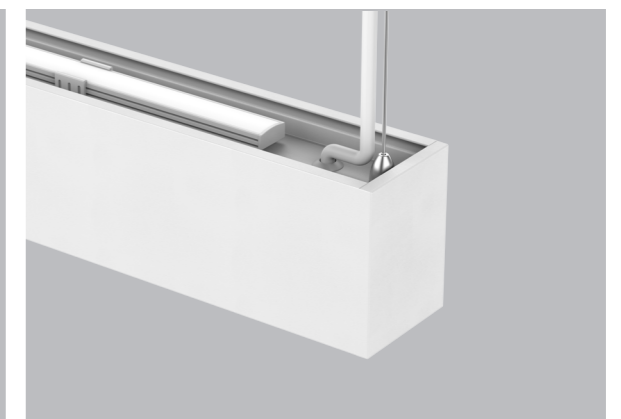
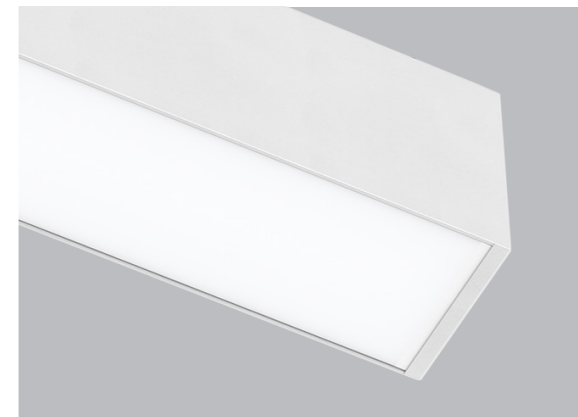
This linear fixture is a seamless splicing design, it can realize a very convenient connection with male and female plug. Adopt high lumen SMD light source, flicker free and high efficiency driver make a better lumen. Aluminum housing provides an excellent thermal management. Functions: Down lighting, up&down lighting, adjustable CCT, emergency and sensor. Mounting design: Pendant/surface mounted/wall mounted/recessed/Track. Replaceable driver and emergency module.

Features

- Multiple installation: Pendant/surface mounted/wall mounted/recessed/Track.
- High lumen efficiency.
- Interchangeable CCT(3000/4000/5700k) with slide switch.
- Non dim/DALI dim/1-10Vdim flicker free driver.
- With emergency and sensor function.
- Up and down light effect for wall mount and pendant installation.
- With Straight shape/'L' shape/'+' shape/'T' shape/'Y' shape connectors, can do seamless splicing with DIY soft cover.

Application Areas

This linear fixture is widely used in shopping mall, office, car park, station, home.

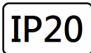



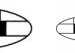


LAHO (Diffuser) System

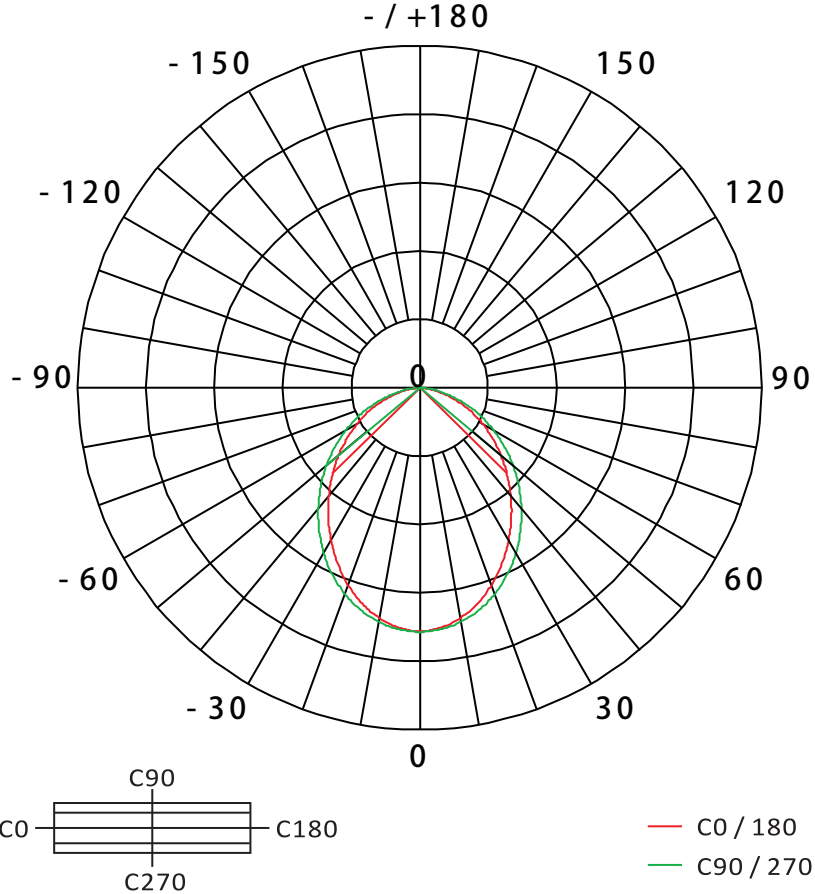
W57xH76 mm Max IP20

DIMON
TECHNOLOGY

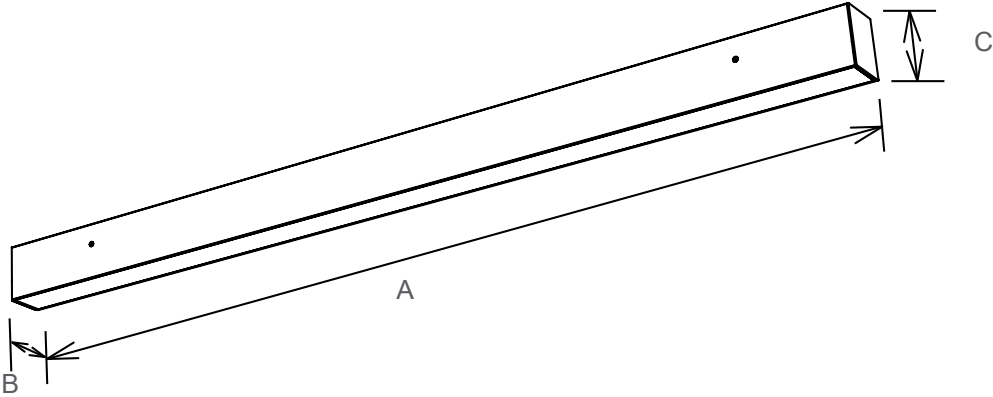
Technical Data

Luminaire Type-安裝方式 Tipo de luminaria	Pendant / surface mounted / wall mounted / Trimless recessed / Track 吊裝 / 明裝 / 壁裝 / 無框嵌入式 / 軌道安裝 Colgante / montado en superficie / montado en la pared / empotrado sin molduras / carril
Dimension-尺寸-Dimensión Weight 淨重	L: 1212 xW:57 x H:76mm 2.7kg Without endcap for system connection L: 1200 xW:57 x H:76mm L: 1512 xW:57 x H:76mm 3.5kg Without endcap for system connection L: 1500 xW:57 x H:76mm
Power Consumption Max-燈具功率 Consumo de energía Max	Up or Down Lighting • L: 1212mm : 32W 36W • L: 1512 mm : 40W 45W Up and Down Lighting • L: 1212mm : 45W • L: 1512 mm : 56W
Input Voltage-輸入電壓-Voltaje de entrada	AC220-240V 50/60HZ
Power Factor / 功率因數/Factor de potencia	PF>0.95
Total Harmonic Distortion/總諧波失/Distorsión armónica total	THD<20%
LED Driver Type LED驅動款式 Tipo de controlador LED	Integrated-type LED Driver--Refer to LED driver specification 請參閱LED驅動器規格 Consulte la especificación de controlador de LED 1. ON/OFF Switch AC220-240V 50/60HZ 2. ELV Dimming Driver (5-100%) AC 100-120V 50/60Hz or AC 200-240V 50/60HZ 3. 1-10V Dimming Driver AC220-240V 50/60HZ 4. Dali Dimming Driver AC220-240V 50/60HZ 5. Microwave Sensor 5.8GHz±75MHz, ISM wave band 100%/75%/50%/25%(4-7M) 5S/30S/90S/5Min/20Min/30Min 2lux/10lux/30lux/50lux/Disable 6. RDM Driver AC220-240V 50/60HZ 7. Remoted Emergency Backup >2 hours or >3 hours @ < 24 charger hours 應急電池/Copia de seguridad de emergencia
Control Protocol-控制協議/Protocolo de Control	1-10V / Dali / DMX 512 / RDM / ZIGBEE Wireless Control
Beam Angle Combination 光束角組合 Combinación de ángulo de haz	PC Opal diffuser: -Down Light 120° Down Light 120°and Up 75° PC 乳白單擴散器: -向下燈光角度: 120° 向下燈光角度120°) 和向上燈光角度 75°
Light Source Brand-光源品牌-Fuente de luz de marca	OSRAM
"Lumen Maintenance LM-80 Reported by TM-21"	L70(10k) > 54,000 hrs
LED Life-LED壽命-La vida del LED	>60,000 hours
Color Temperature -色溫 Temperatura del color	2700K / 3000K / 4000K / 5000K / 6500K
Color Rendering Index-顯色指數 Índice de reproducción cromática	> 80 > 90
MacAdam Ellipses Binning 麥克亞當橢圓分級 Mac Adam binning elipse	Standard Deviation Colour Matching < 3 SDCM 標準偏差配色 < 3 SDCM Coincidencia de color estándar Desviación < 3 SDCM
Luminaire Efficacy燈具效率 La eficacia de la luminaria	100 Lm/w(2700K), 110 Lm/w(3000K), 115 Lm/w(4000K), 120 Lm/w(5000K), 120 Lm/w(6500K),
LED Source Luminous EfficacyLED光源光效 Fuente luminosa LED Eficacia	• 140 Lm/w(2700K), 150 Lm/w(3000K), 165 Lm/w(4000K), 170 Lm/w(5000K), 170 Lm/w(6500K),
Housing materials-外殼材料-Materiales de la carcasa	Aluminium Alloy and Opal Diffuser or Polycarbonate Prismatic cover or DIY soft cover for system connection 鋁合金和乳白色擴散器或聚碳酸酯棱鏡罩或 DIY軟罩(用於系統連接)
Housing Color-外殼顏色-color de la carcasa	Matte white RAL 9016/ / Matte black RAL 9005 / 啞光白色 / 啞光黑色
Ingress Protection-防護等級/Protección de ingreso	IP20
Operating Humidity -工作濕度 Humedad de funcionamiento	0~90%, non-condensing-不結霜 sin condensación
Operating Temperature Range / 工作溫度範圍 Rango de temperatura de funcionamiento	-30 °C / +50 °C
Comply Testing Standard 符合測試標準 Cumplir el estándar de prueba	LED Luminaries: IEC 60598-1; IEC 60598-2-1; IEC62471; IEC 62031; IEC62493 ; IEC 62471 EMC: EN55015 ; IEC/EN 61000-3-2; IEC/EN 61000-3-3; IEC/EN61574 ; RoHS LED Driver: IEC/EN 61347-1; IEC/EN 61347-2-13; IEC/EN 62384; IEC/EN 61000-3-2; IEC/EN 61000-3-3; IEC/EN61574; EN 55015 ; IEC /EN 62384
Certification-認證-Certificación	    

BEAM ANGLE



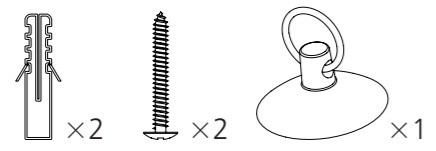
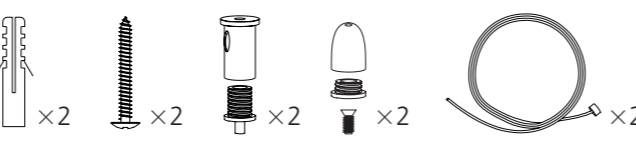
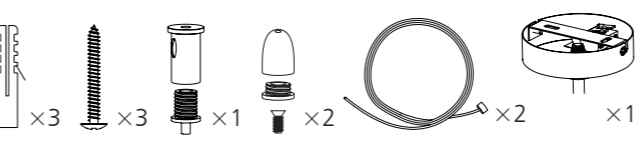
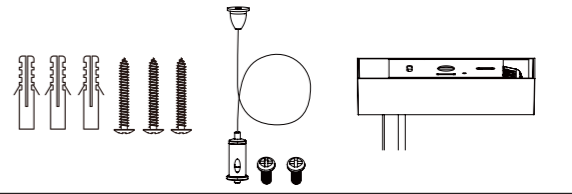
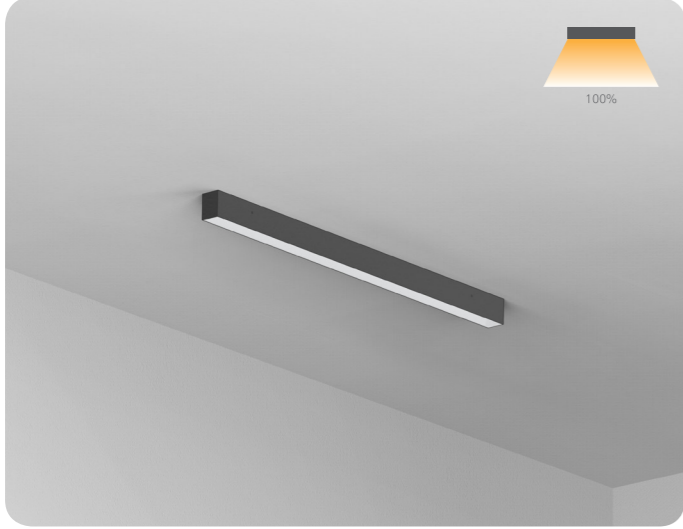
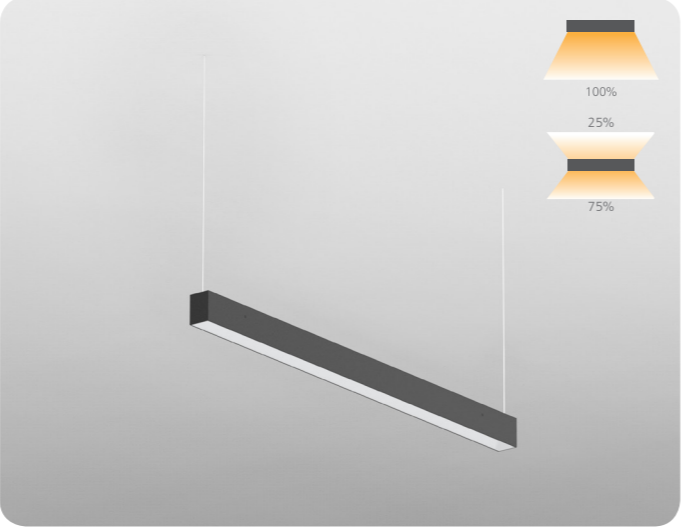

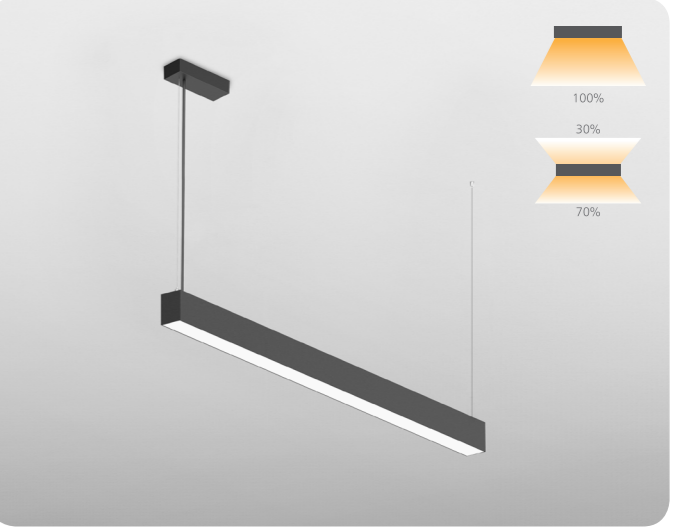
Technical Drawing

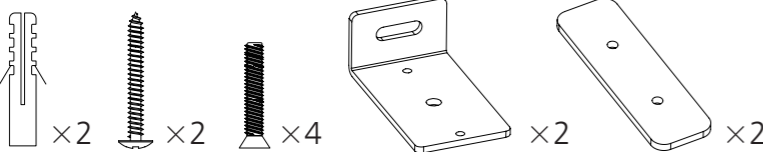
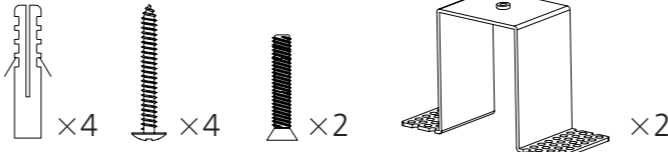
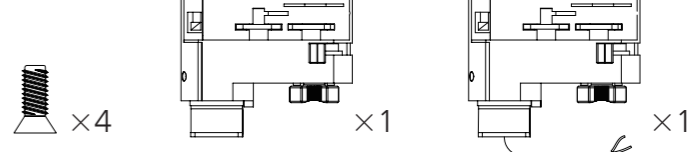

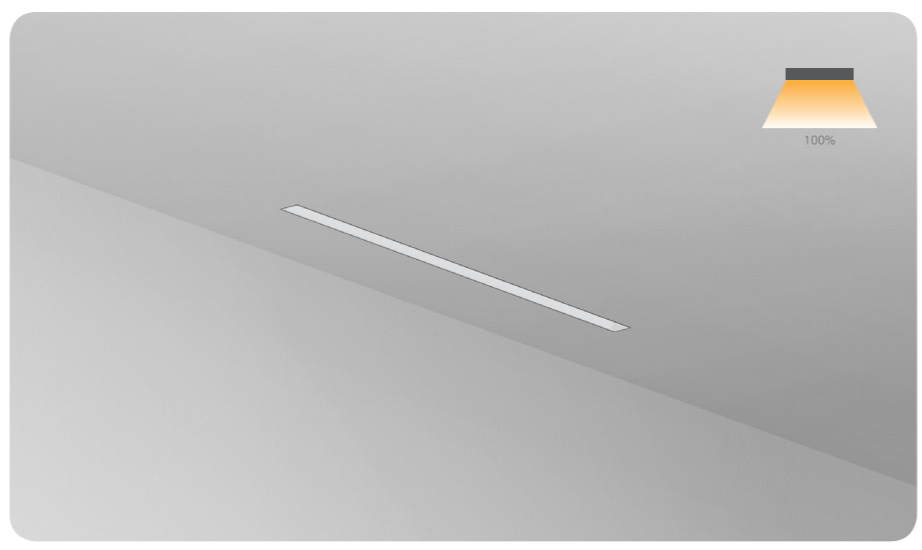
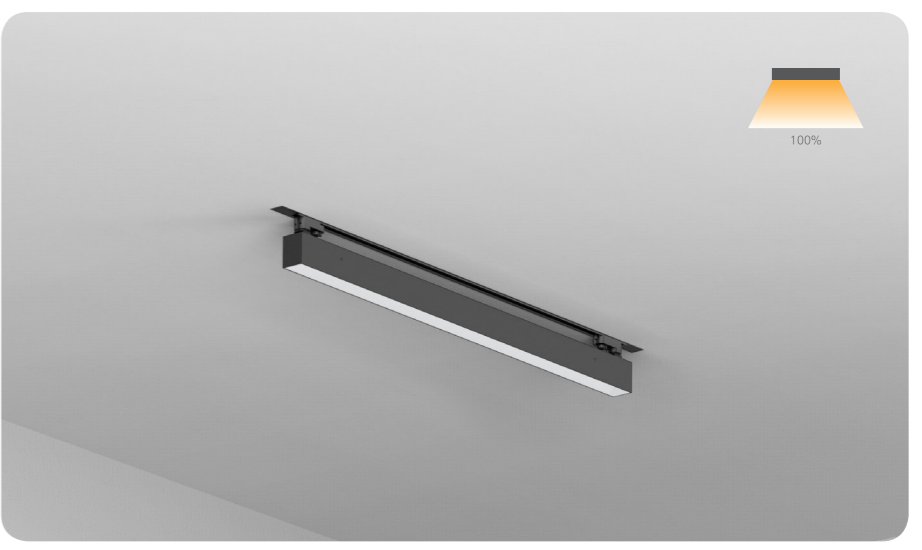


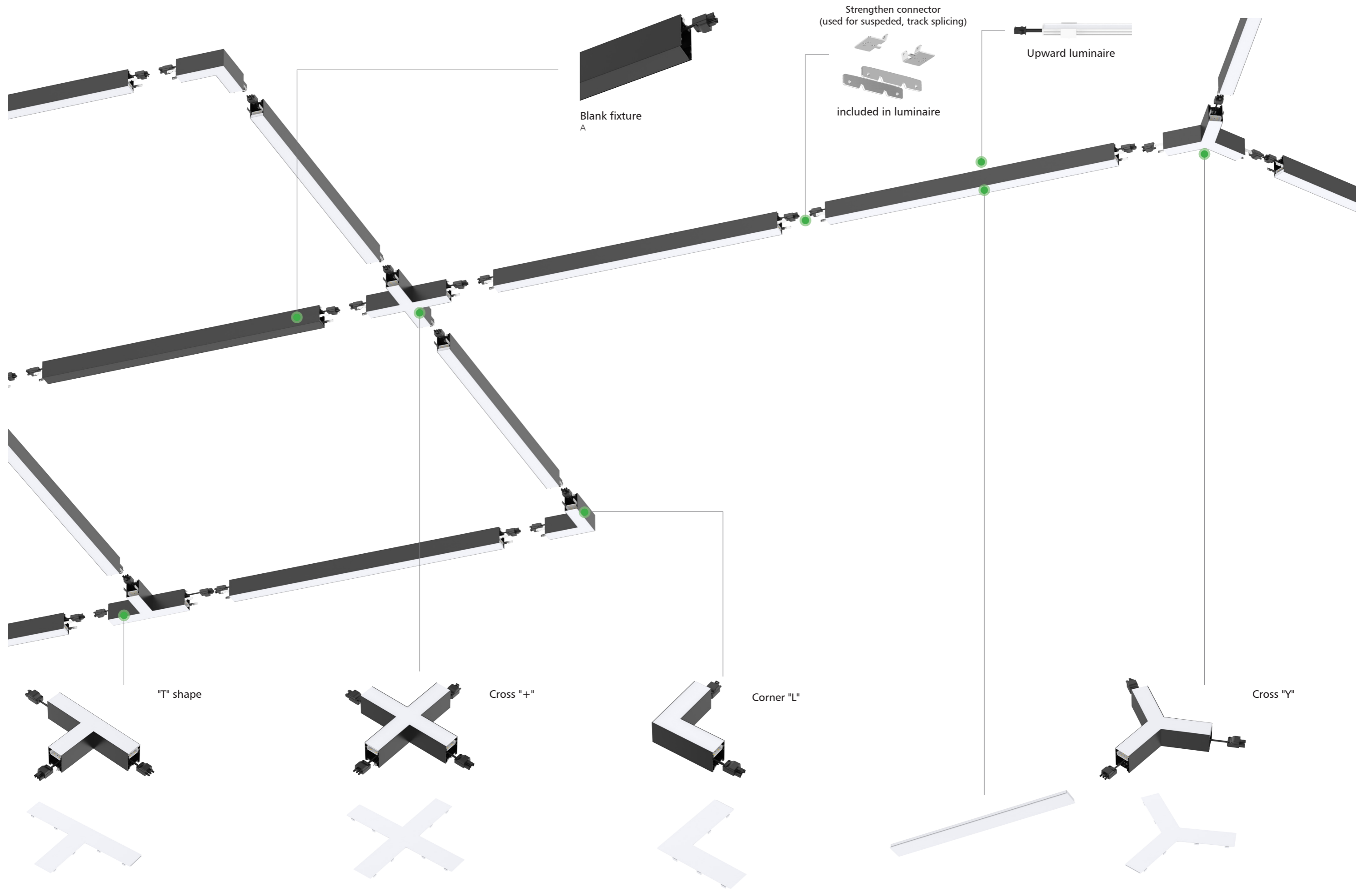
Size(AxBxCmm)

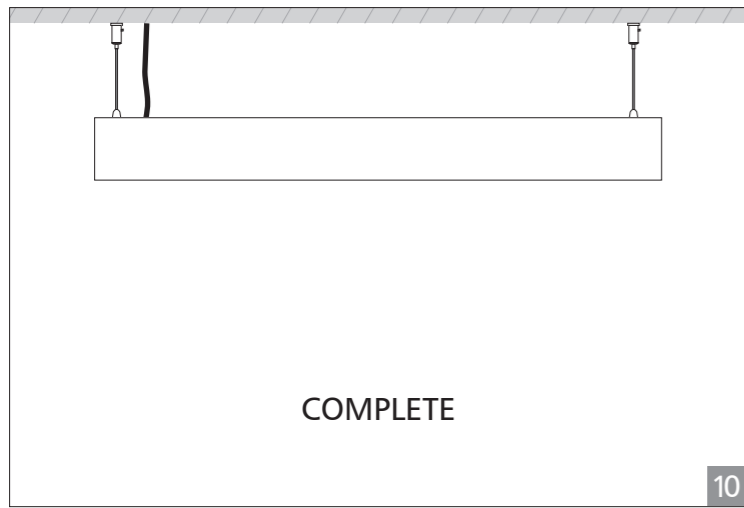
- 1212x57x76
- 1212x57x76
- 1512x57x76
- 1512x57x76

Accessory

Surface Mounted	Suspended without ceiling plate	Suspended with ceiling plate	Suspended with ceiling plate
 <p>×2 ×2 ×1</p>	 <p>×2 ×2 ×2 ×2 ×2</p>	 <p>×3 ×3 ×1 ×2 ×2 ×1</p>	
<p>Accessory included</p>		<p>ON/OFF Version: ACC-DB66-WT/BK-0200 DALI/1-10V Version: ACC-DB66-WT/BK-DA/D0-0200</p>	<p>ON/OFF Version: ACC-DB66-WT/BK-0250 DALI/1-10V Version: ACC-DB66-WT/BK-DA/D0-0251</p>
			

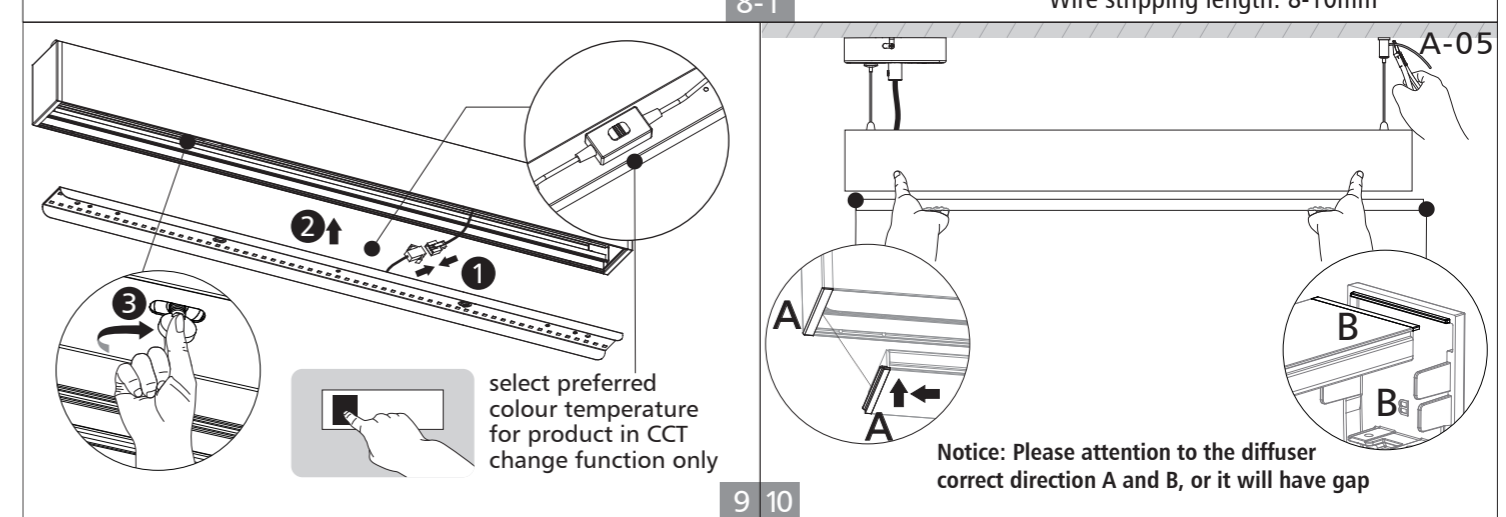
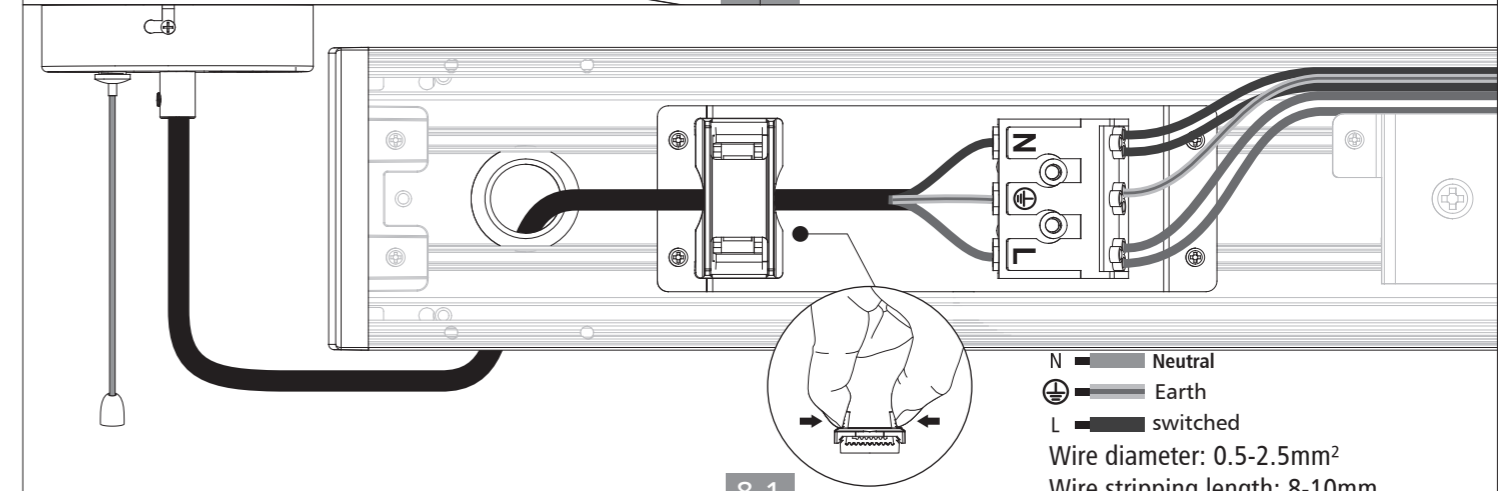
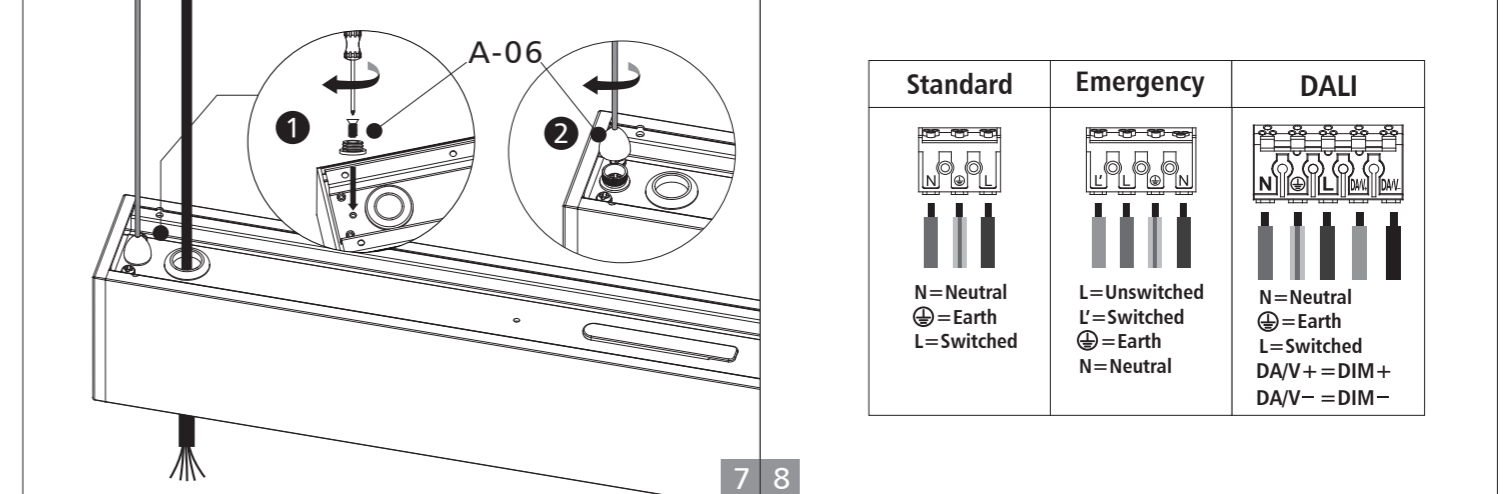
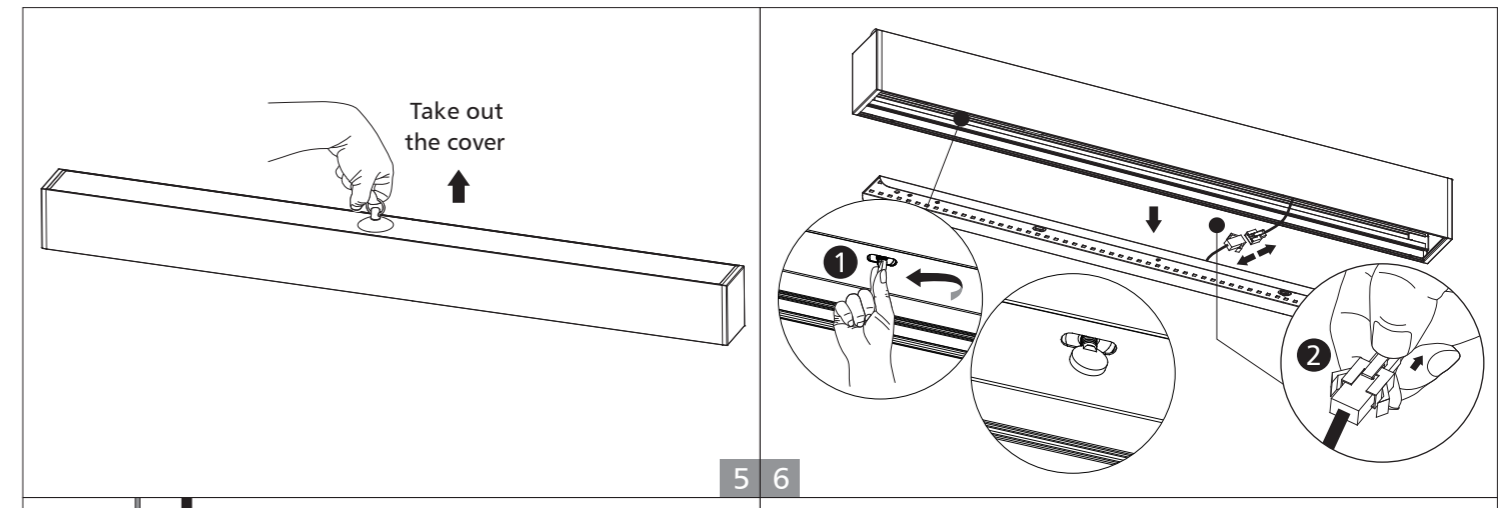
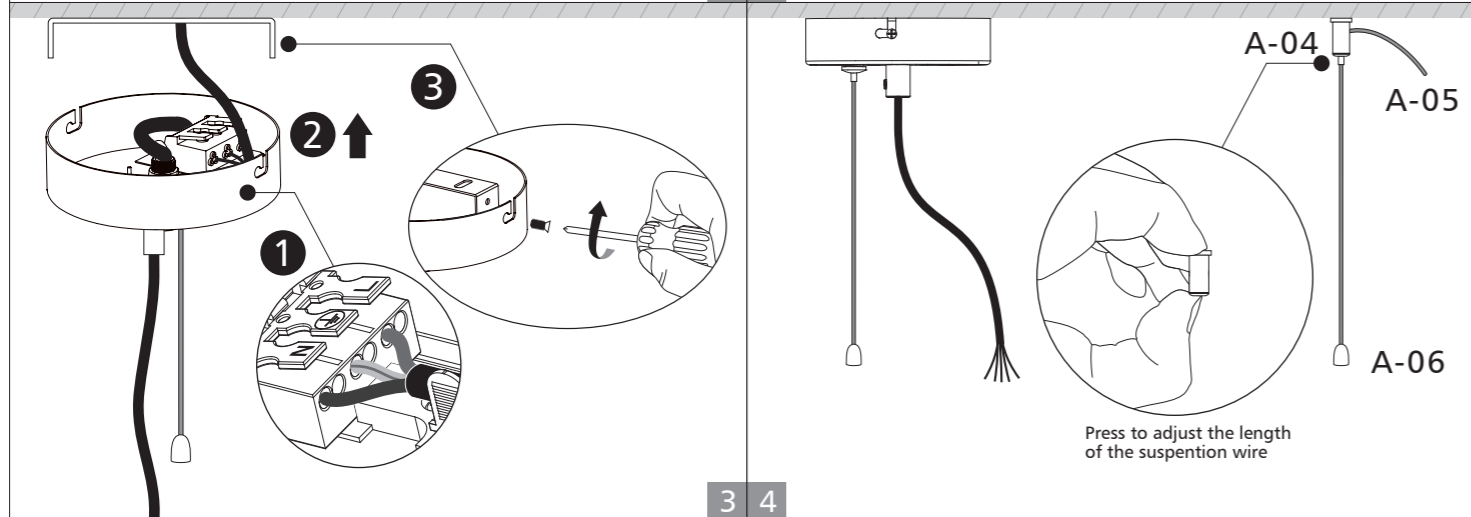
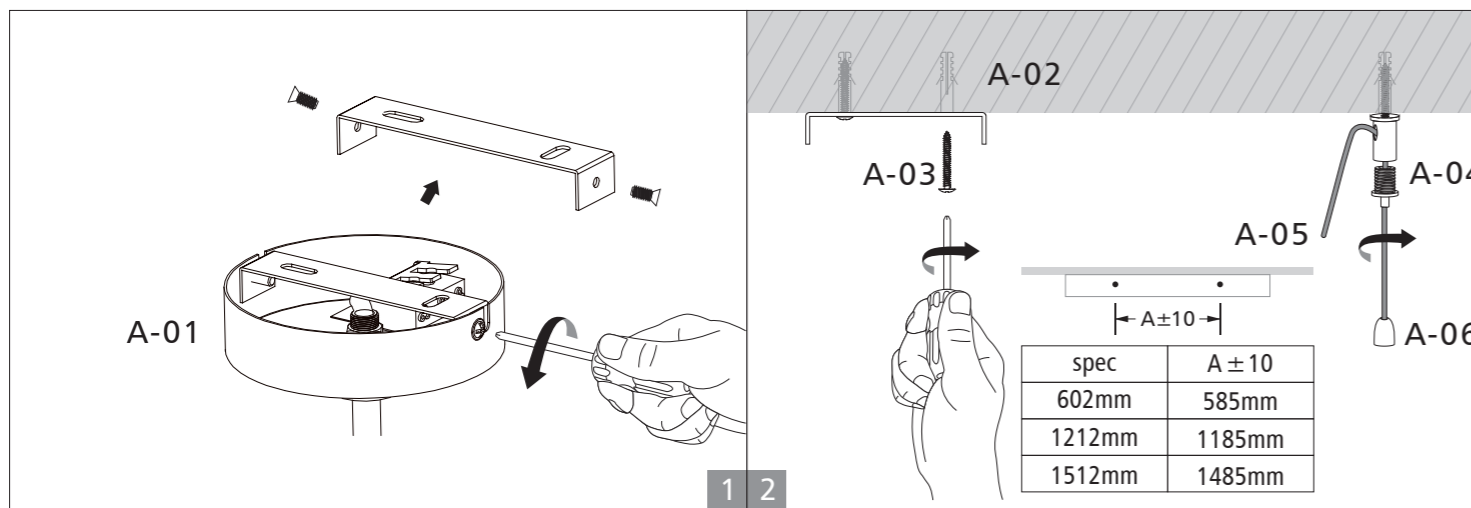
Wall Mounted	Recessed	Track
 <p>×2 ×2 ×4 ×2 ×2</p>	 <p>×4 ×4 ×2 ×2</p>	 <p>×4 ×1 ×1</p>
	<p>ACC-DB66-WT/BK-0300</p>	<p>ON/OFF Version: ACC-DB77A-WT-0500 DALI/1-10V Version: ACC-DB77A-WT-DA/DO-0500</p>
		

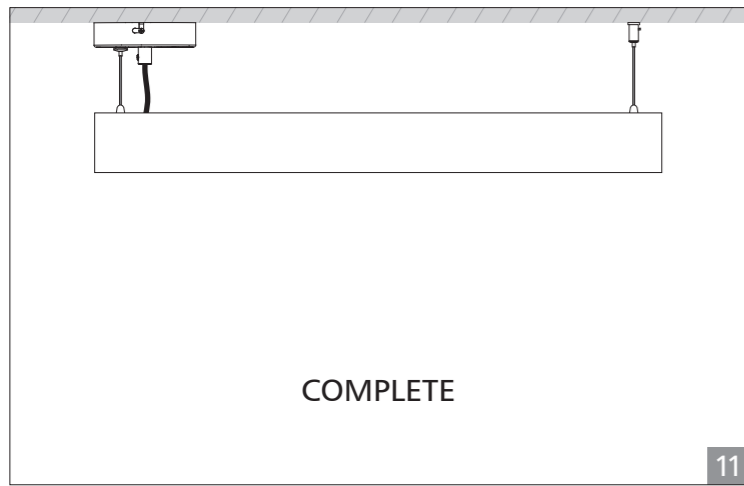




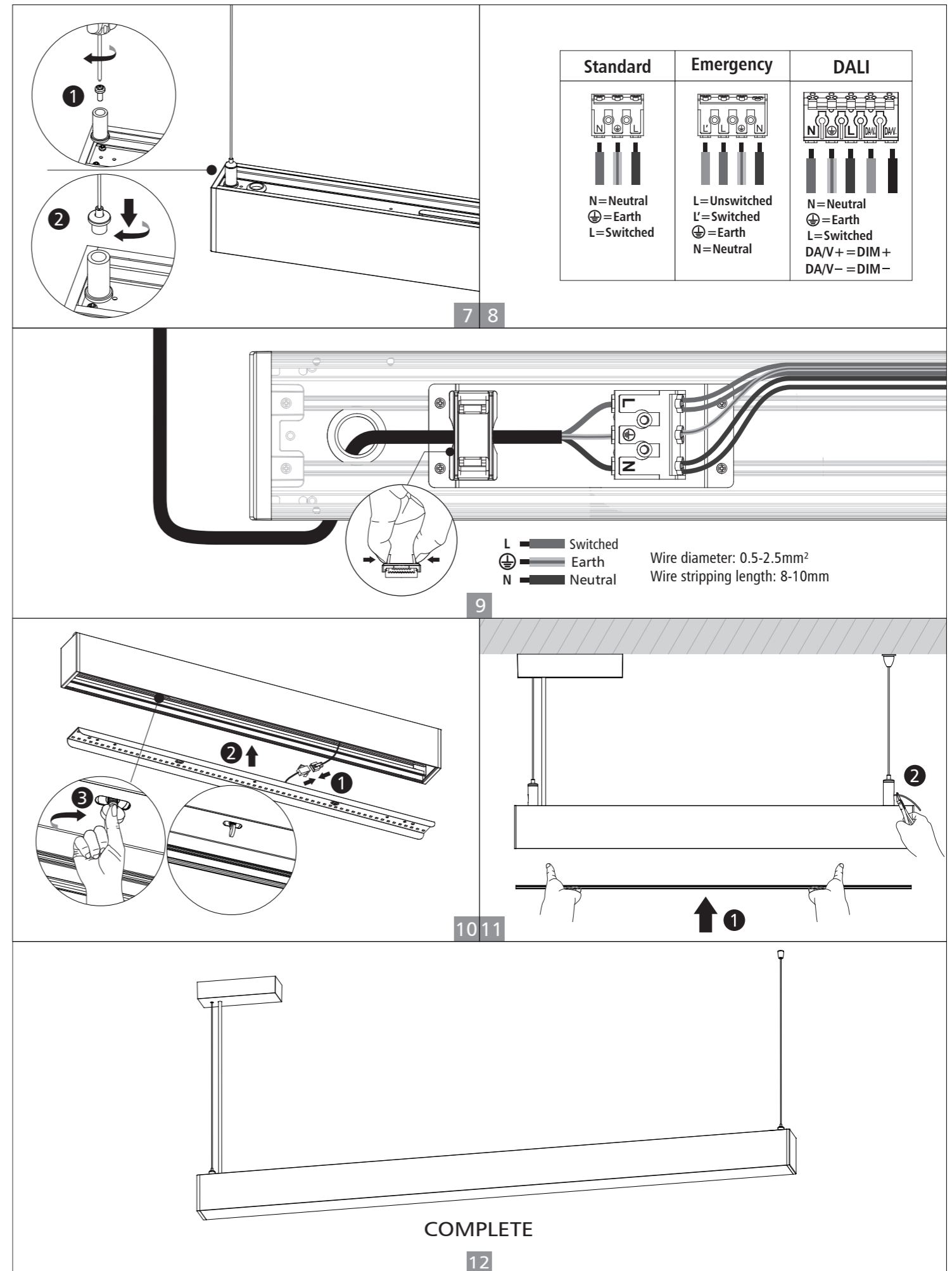
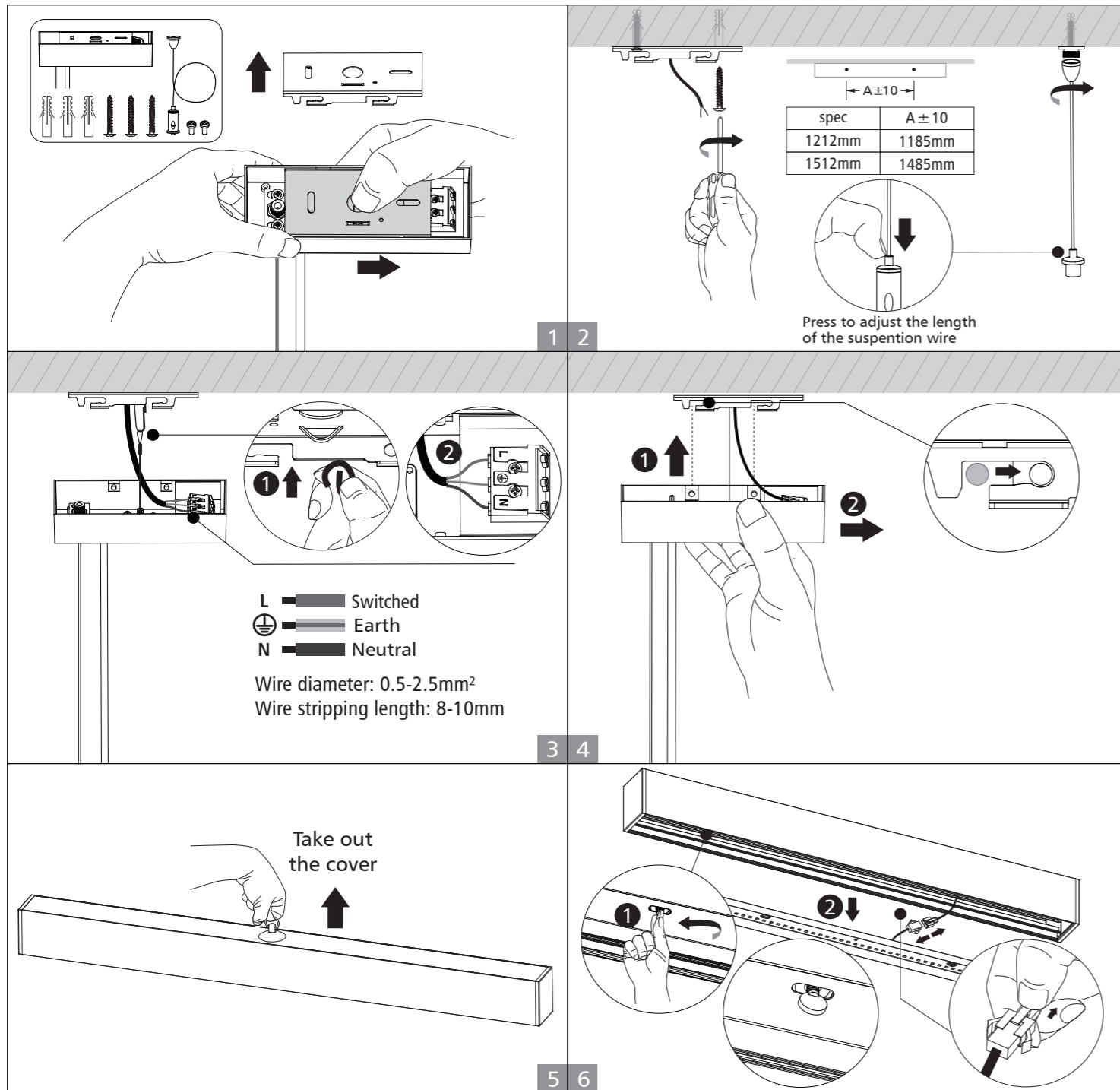
■ Pendant installation (With round ceiling plate)

Code	A-01	A-02	A-03	A-04	A-05	A-06
ACC	x1	x3	x3	x1	x2	x2

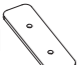






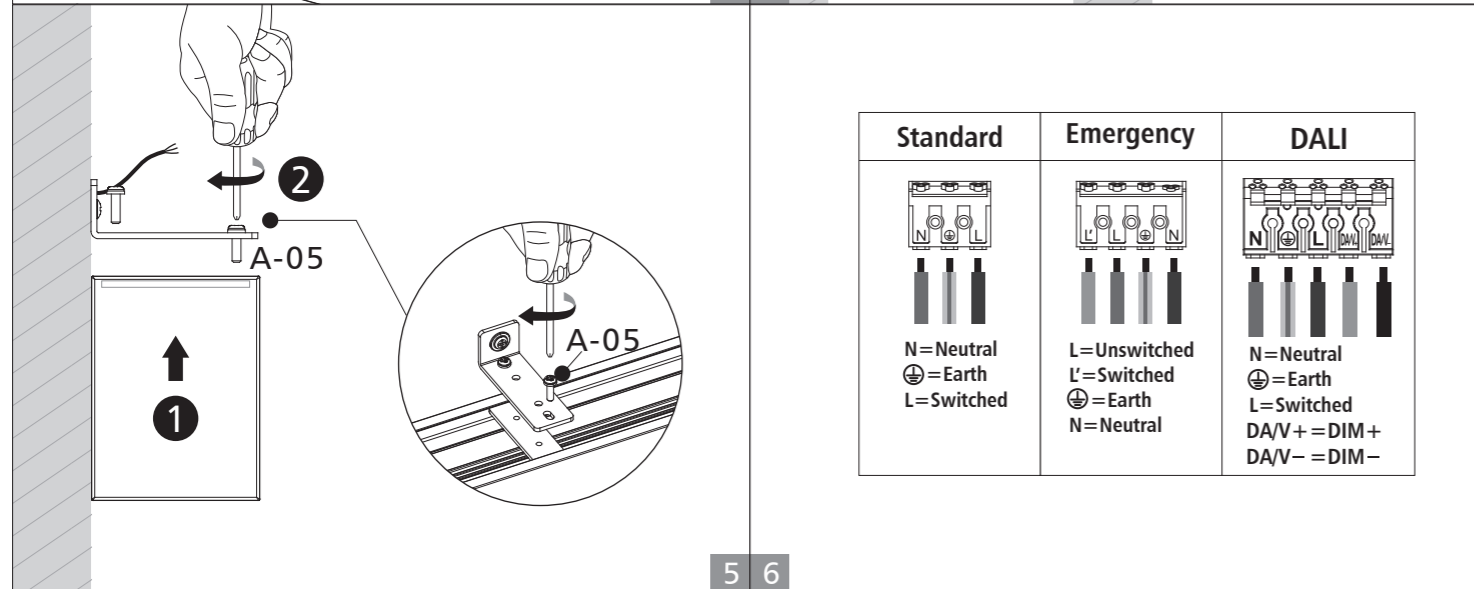
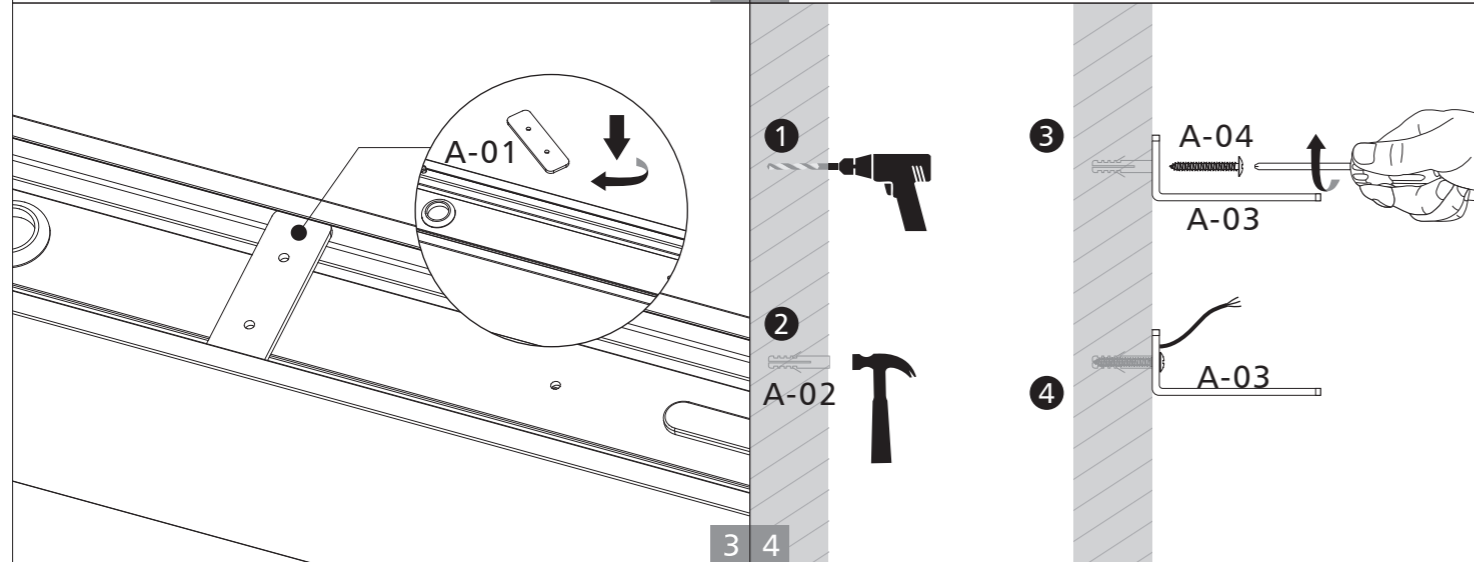
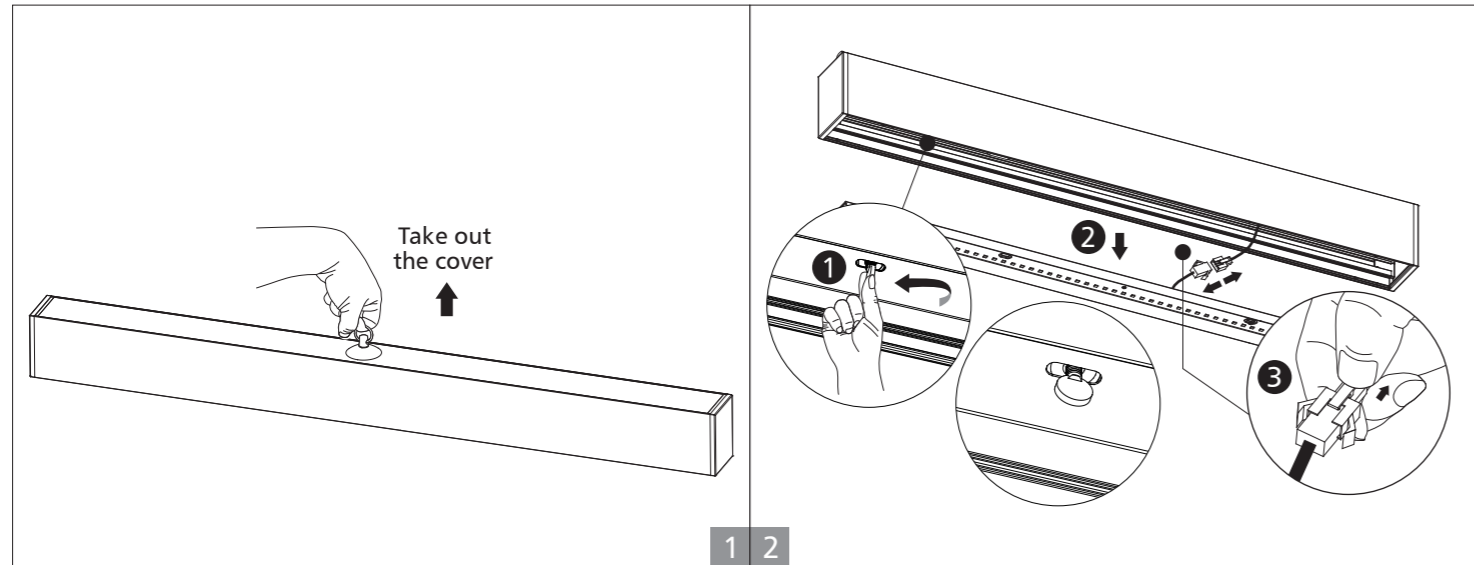



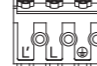

Pendant installation (With rectangular ceiling plate)

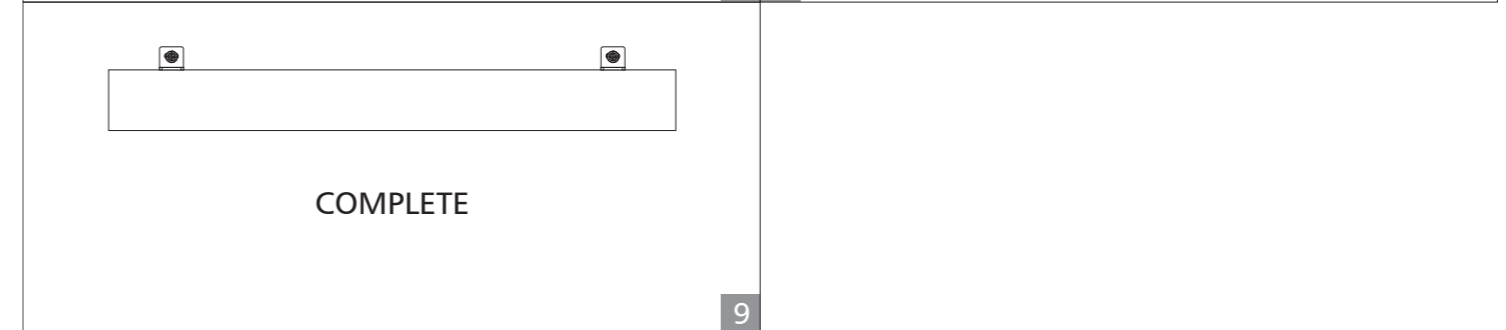
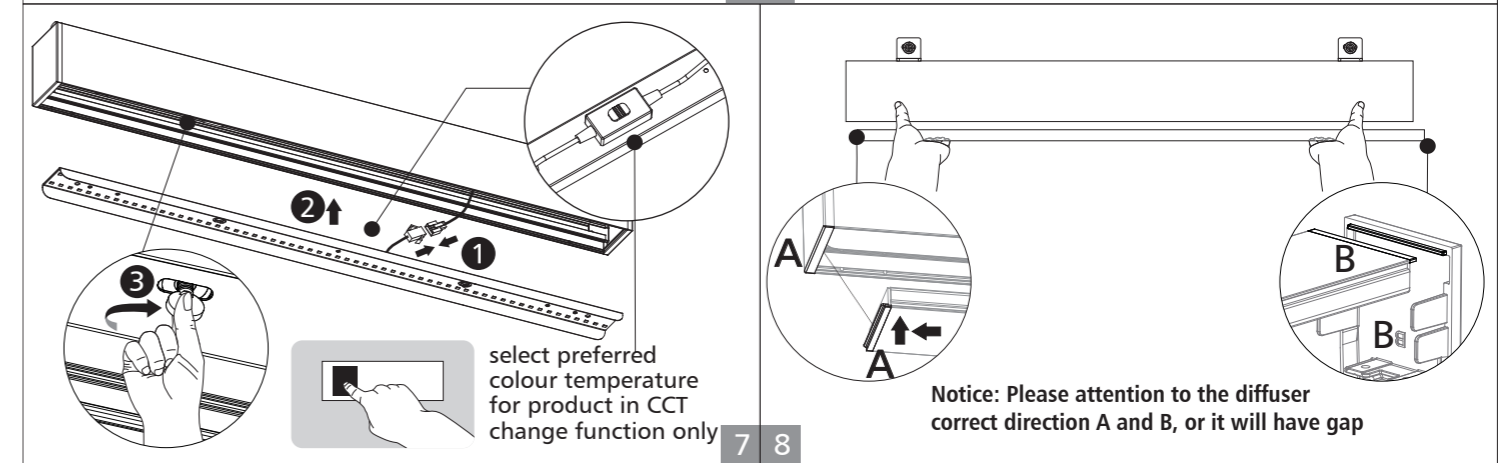
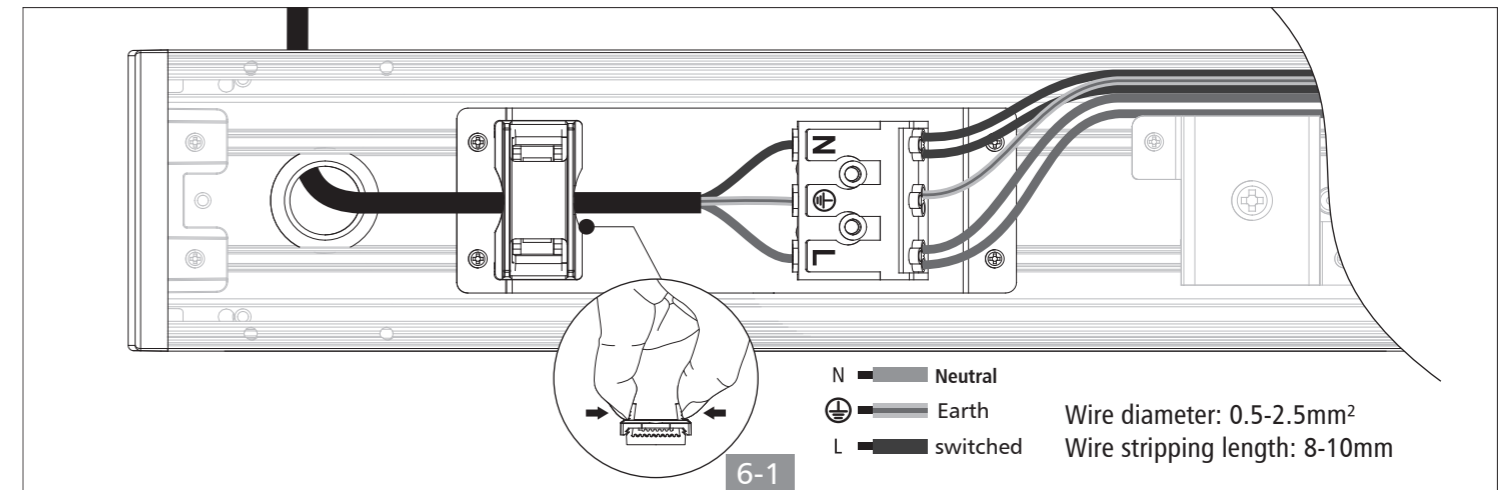


Wall mount installation

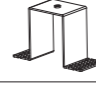



Code	A-01 	A-02 	A-03 	A-04 	A-05 
ACC	x2	x2	x2	x2	x4

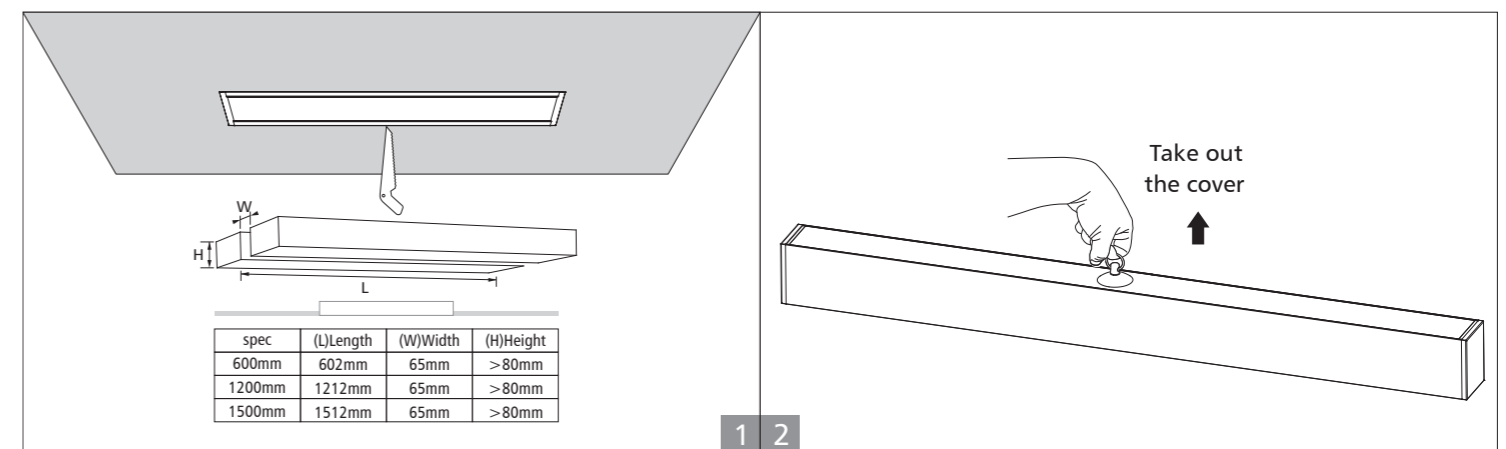


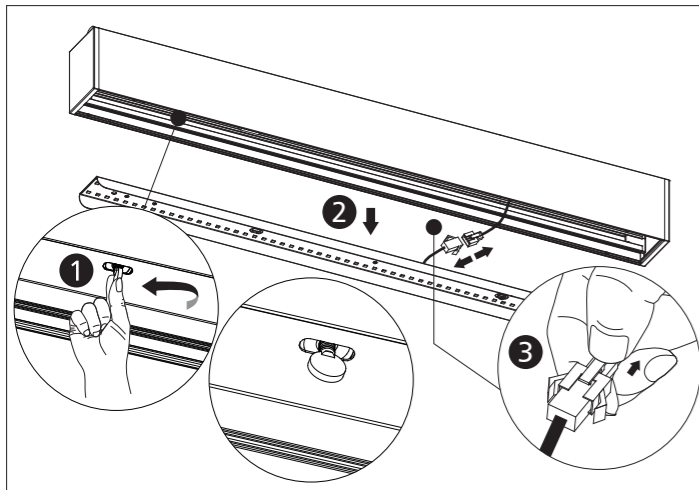
Standard	Emergency	DALI
		
N=Neutral ⊕=Earth L=Switched	L=Unswitched L'=Switched ⊕=Earth N=Neutral	N=Neutral ⊕=Earth L=Switched DA/V+=DIM+ DA/V-=DIM-



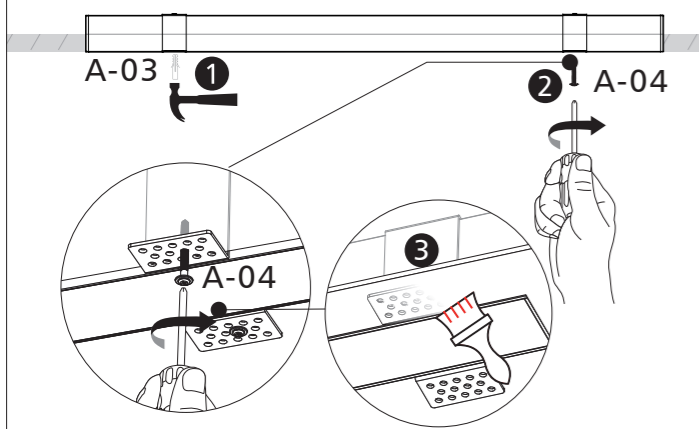
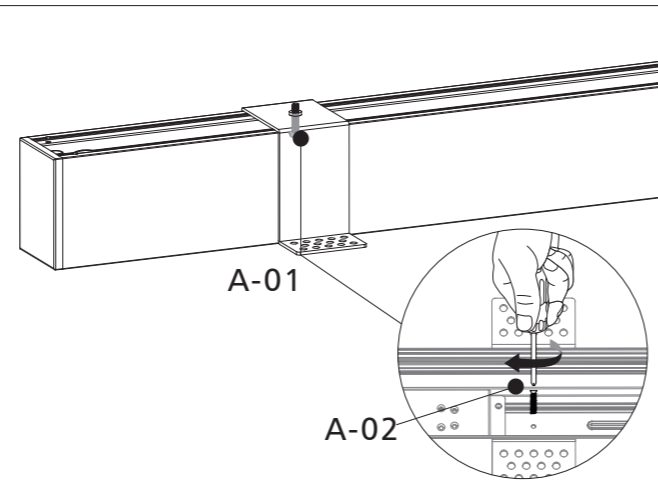
Recessed installation

Code	A-01 	A-02 	A-03 	A-04 
ACC	x2	x2	x4	x4



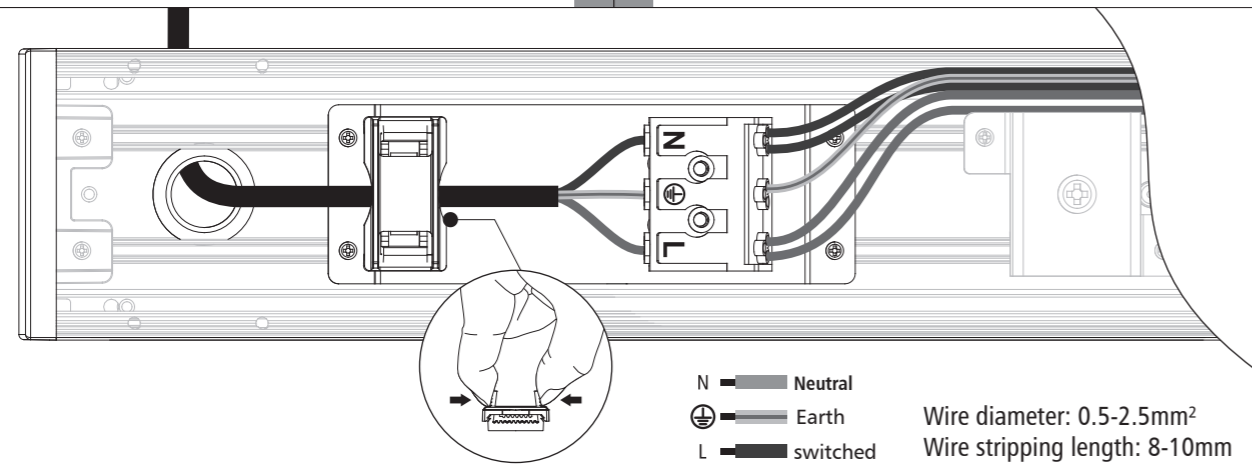


3 4

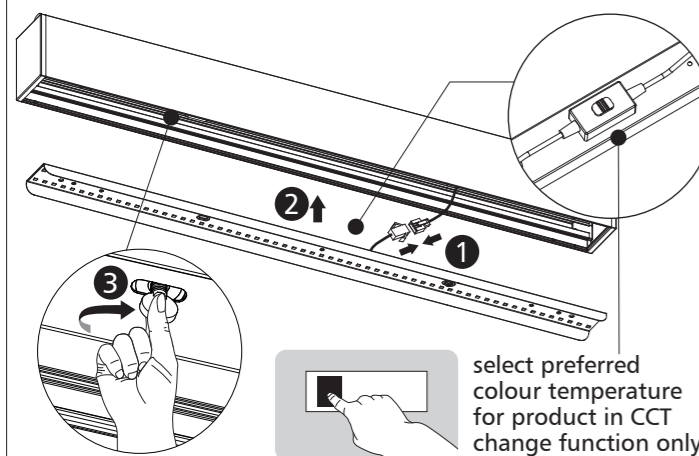


5 6

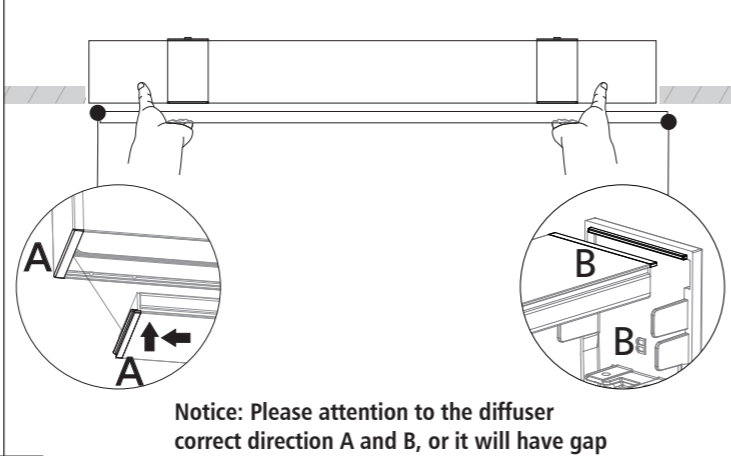
Standard	Emergency	DALI
N=Neutral ⊕=Earth L=Switched	L=Unswitched L'=Switched ⊕=Earth N=Neutral	N=Neutral ⊕=Earth L=Switched DA/V+=DIM+ DA/V-=DIM-



6-1

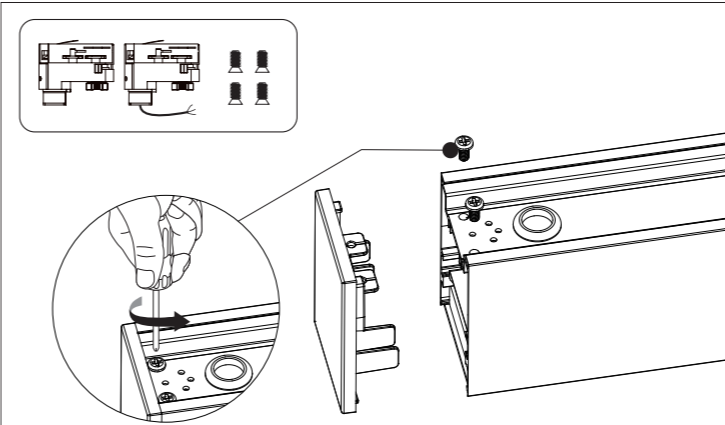


7 8

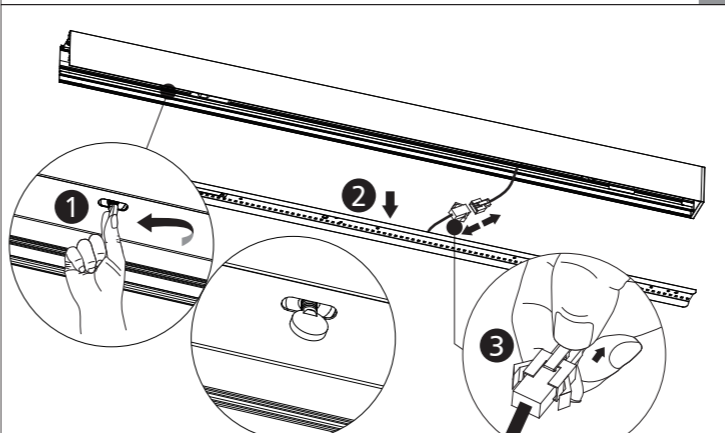
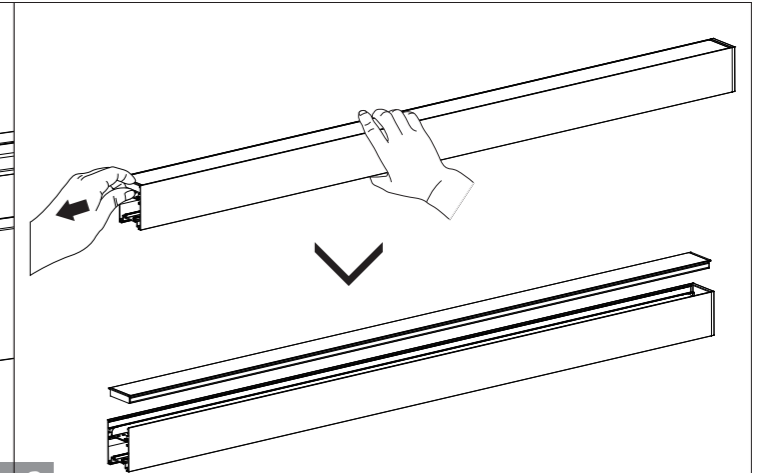


9

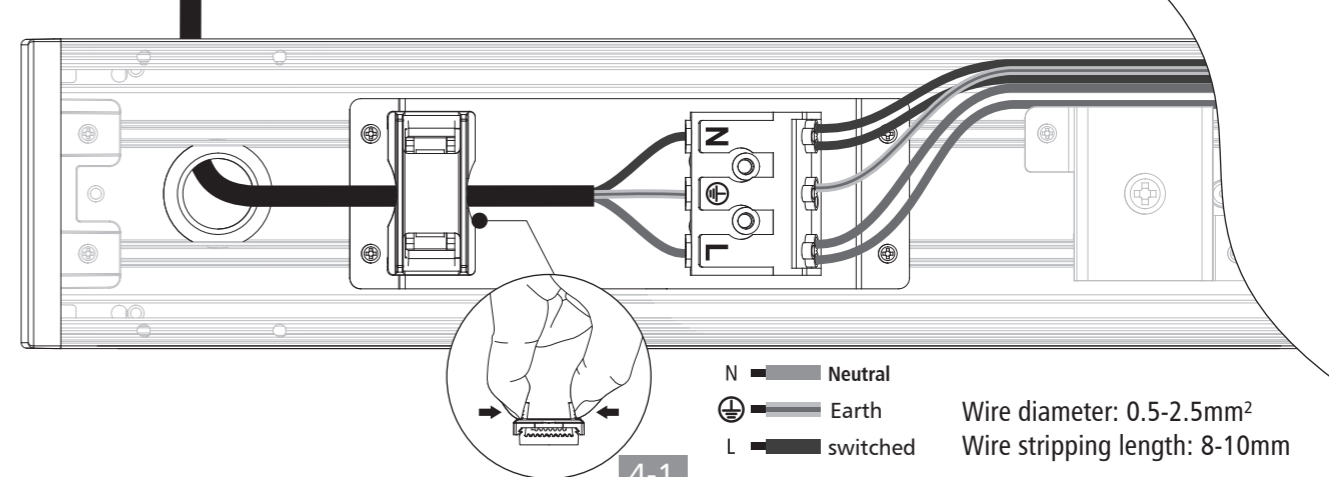
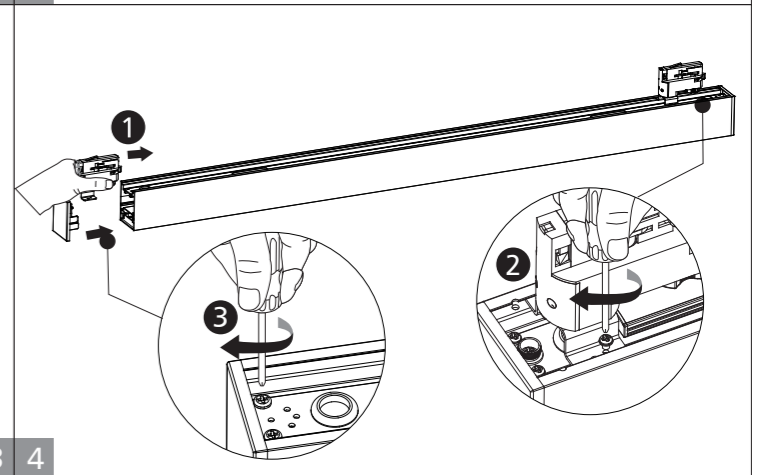
Track installation



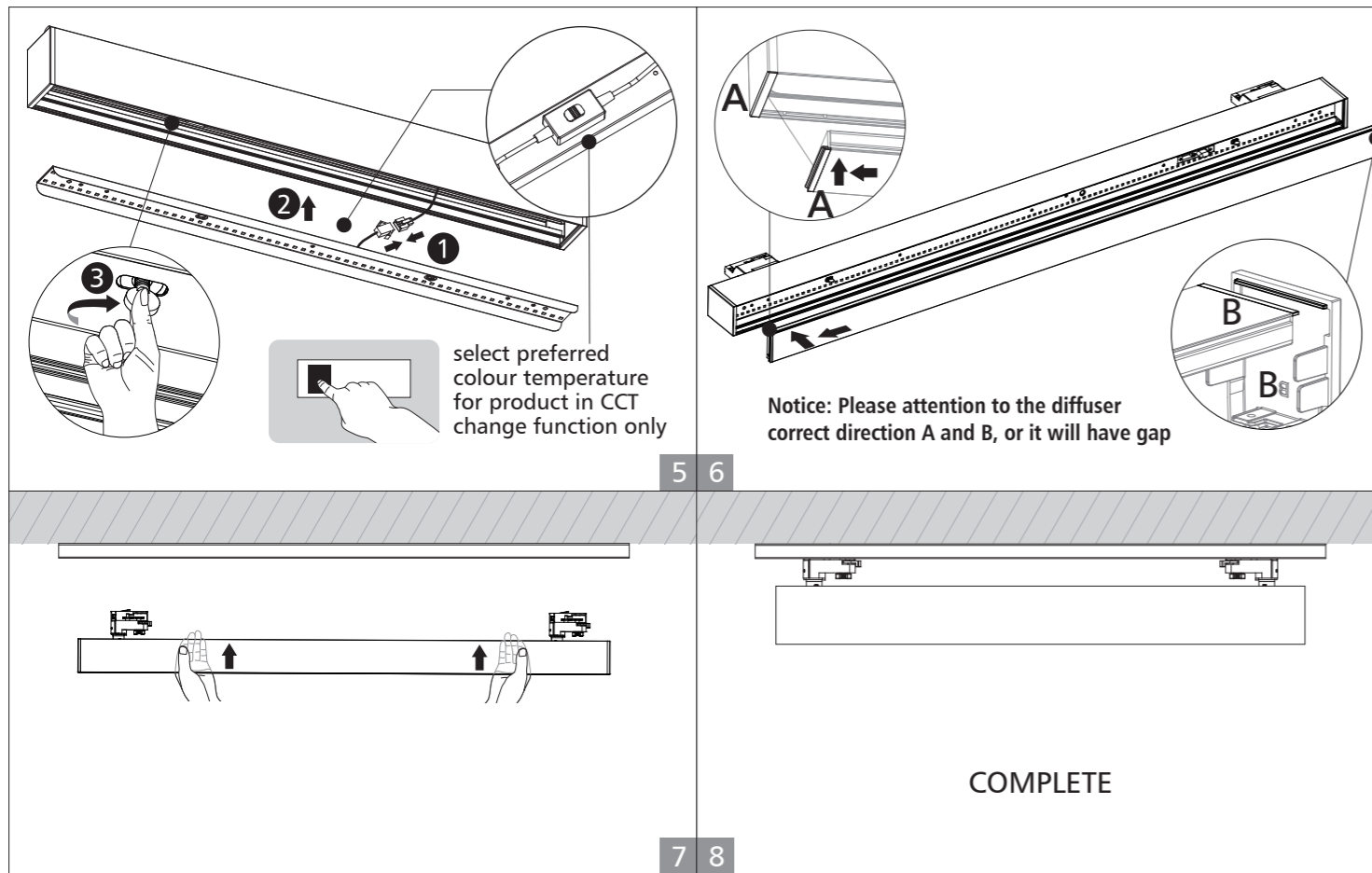
1 2



3 4



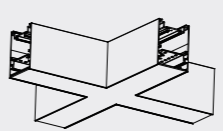

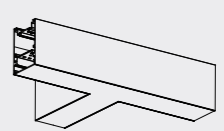
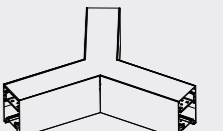
4-1

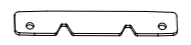




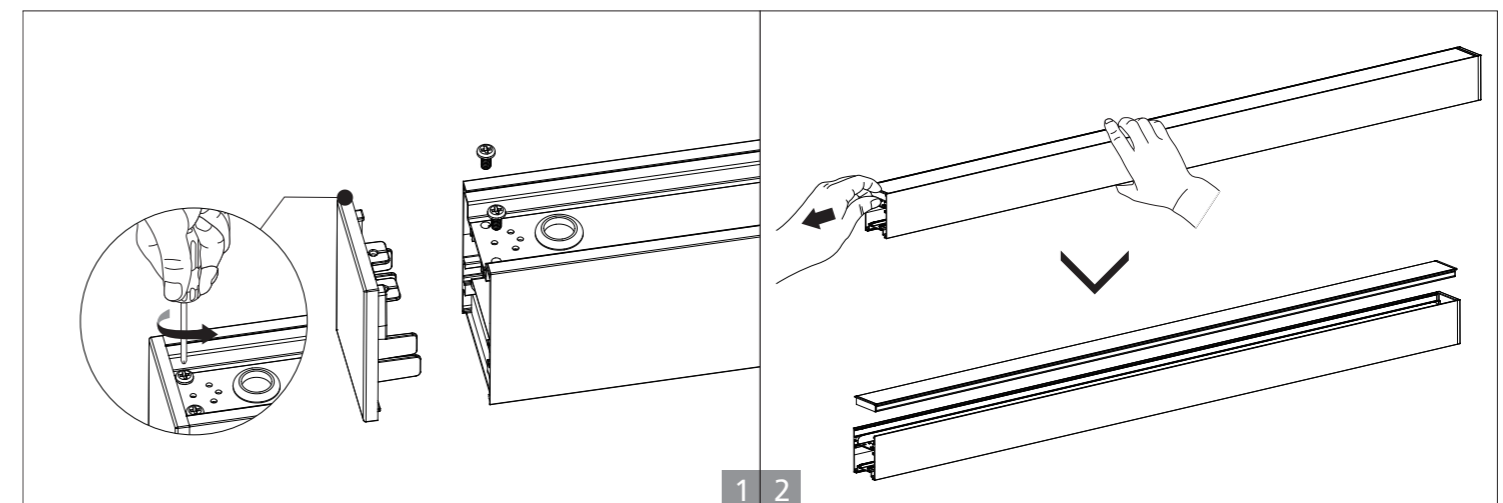
■ Ceiling surface mount splicing installation(Straight"-")

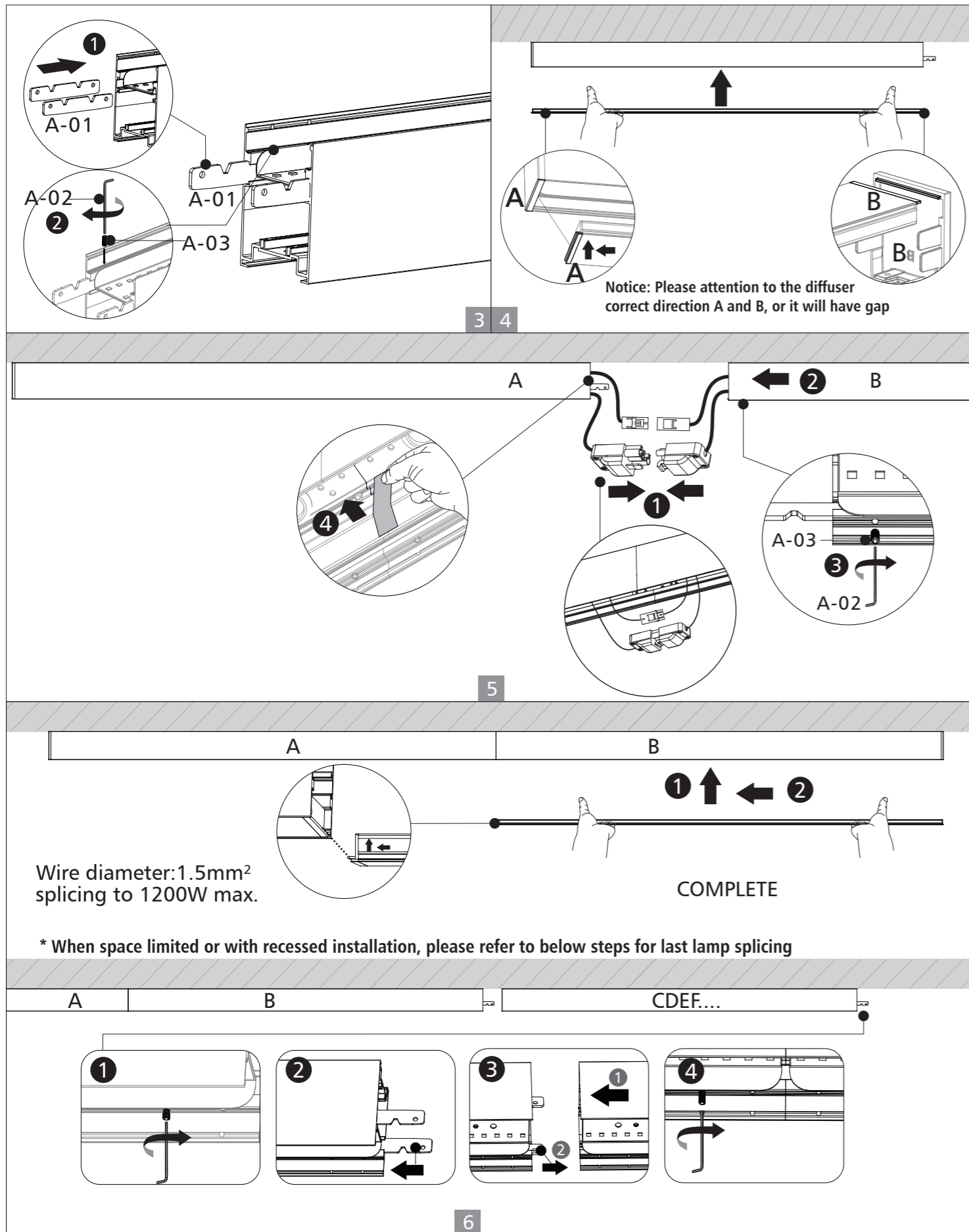
* The steps also applicable to recessed/wall mount splicing

* The steps also applicable to "L"/"T"/"Y" shape connector splicing

Cutout(mm) for recessed splicing				
Dimension with end cap(mm)	602	1212	1512	
Dimension without end cap(mm)	590	1200	1500	
Cutout(mm) straight splicing	Dimension without end cap*N+12 (N=connection quantity) (for example cutout for 2pcs 1200mm lamp splicing: 1200*2+12=2412mm)			
Cutout(mm) for X/L/T/Y accessories	X-shape	L-shape	T-shape	Y-shape
	 L343*W57 L343*W57	 L200*W57 L200*W57	 L343*W57 L200*W57	 L326*W57 L282*W57
Remark	For the combination of X, L, T, Y splicing, please open the hole according to the above data			

Code	A-01 	A-02 	A-03 
ACC	x2	x1	x4



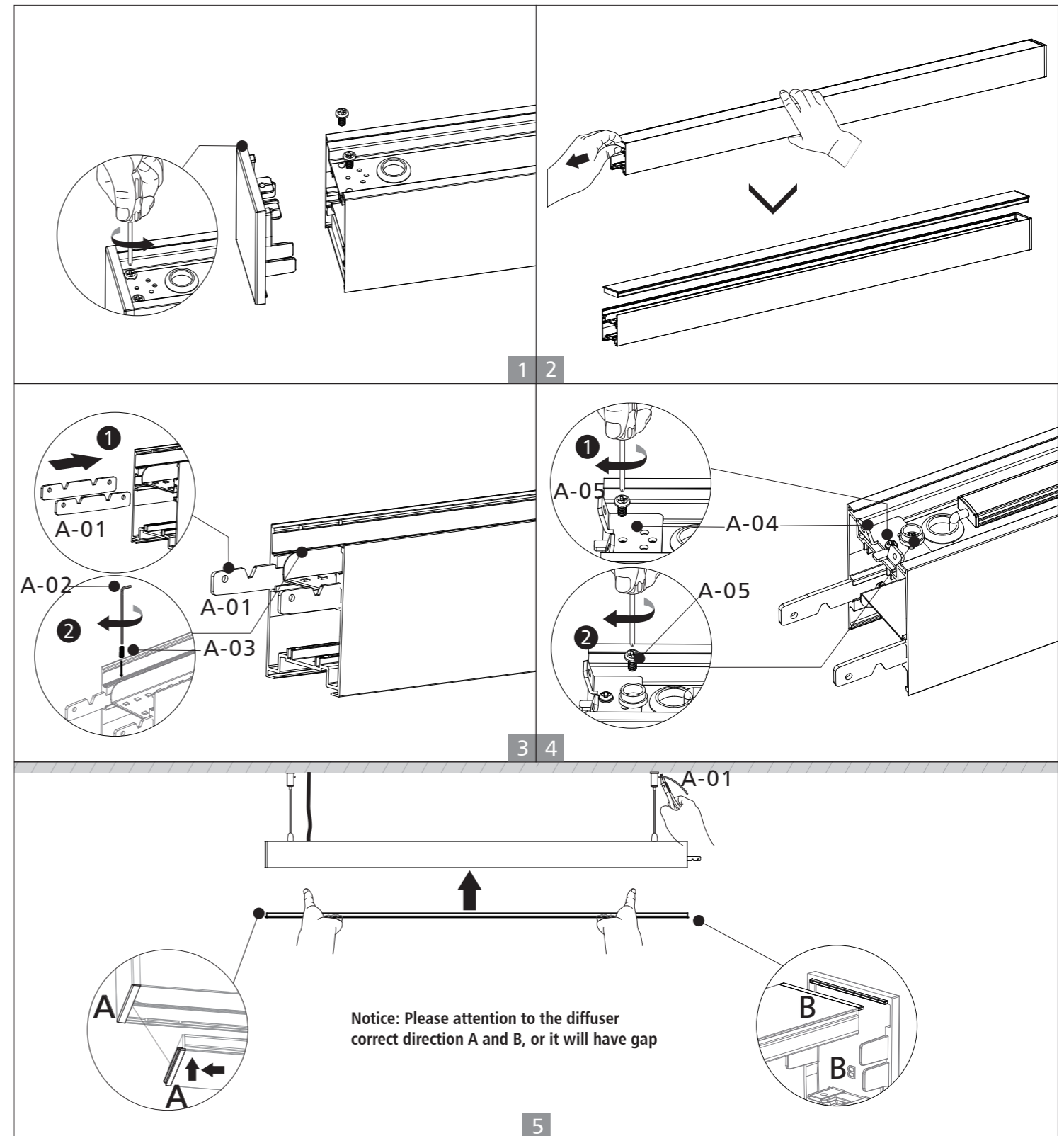


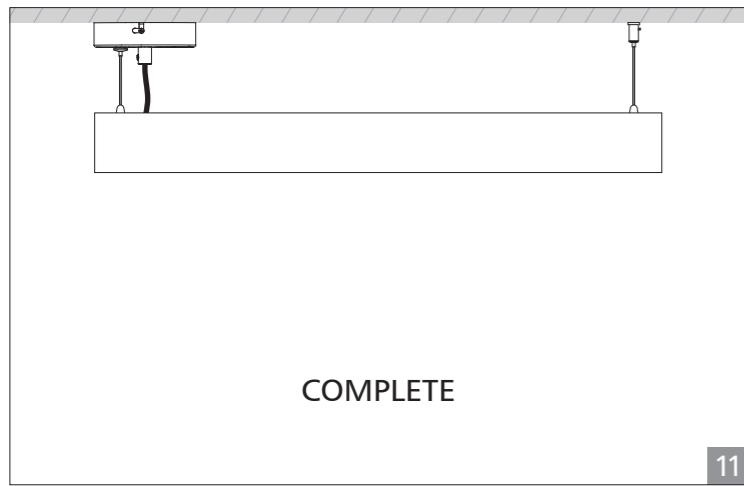
Pendant splicing installation(Straight"-")

* The steps also applicable to track splicing

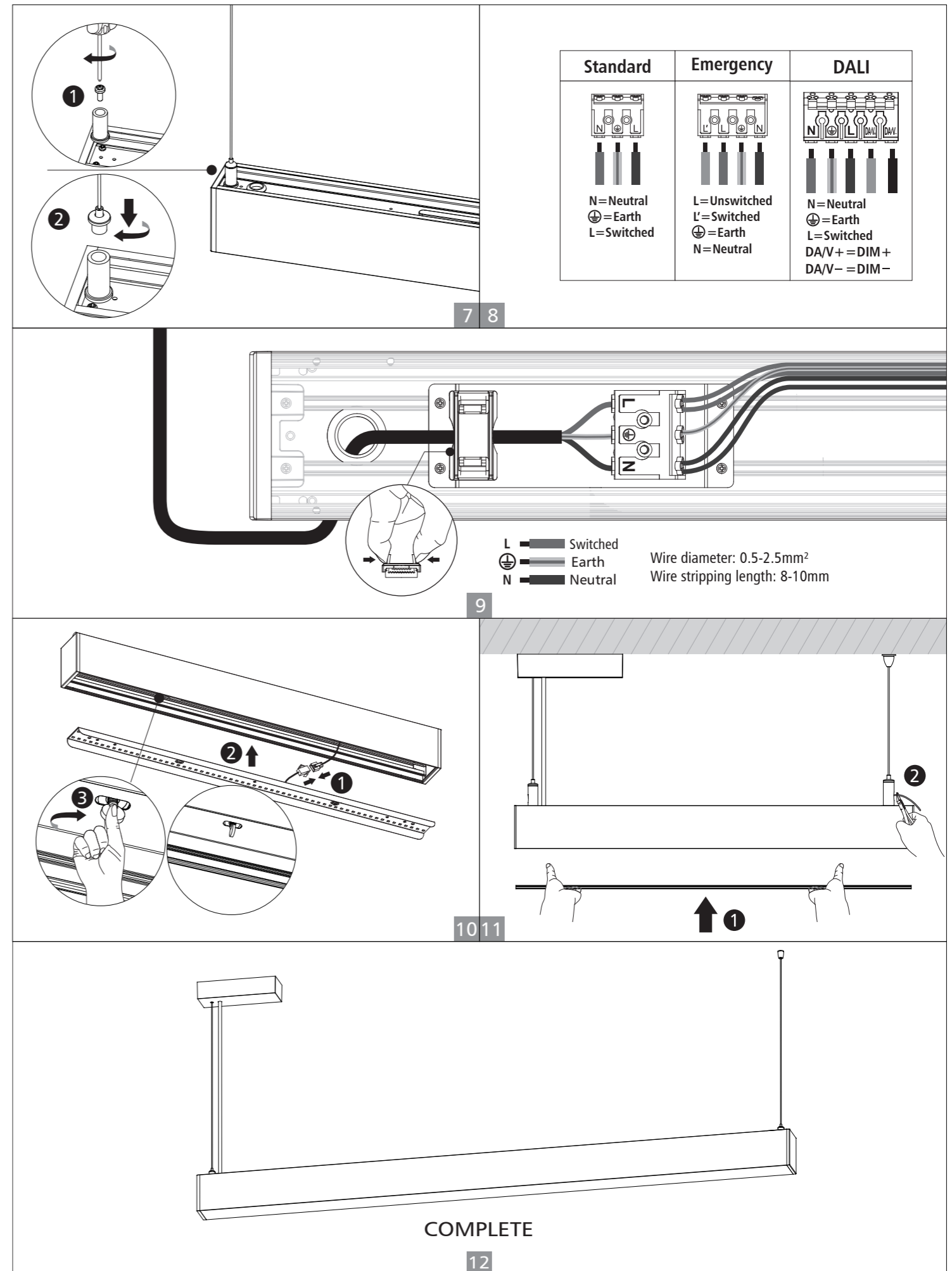
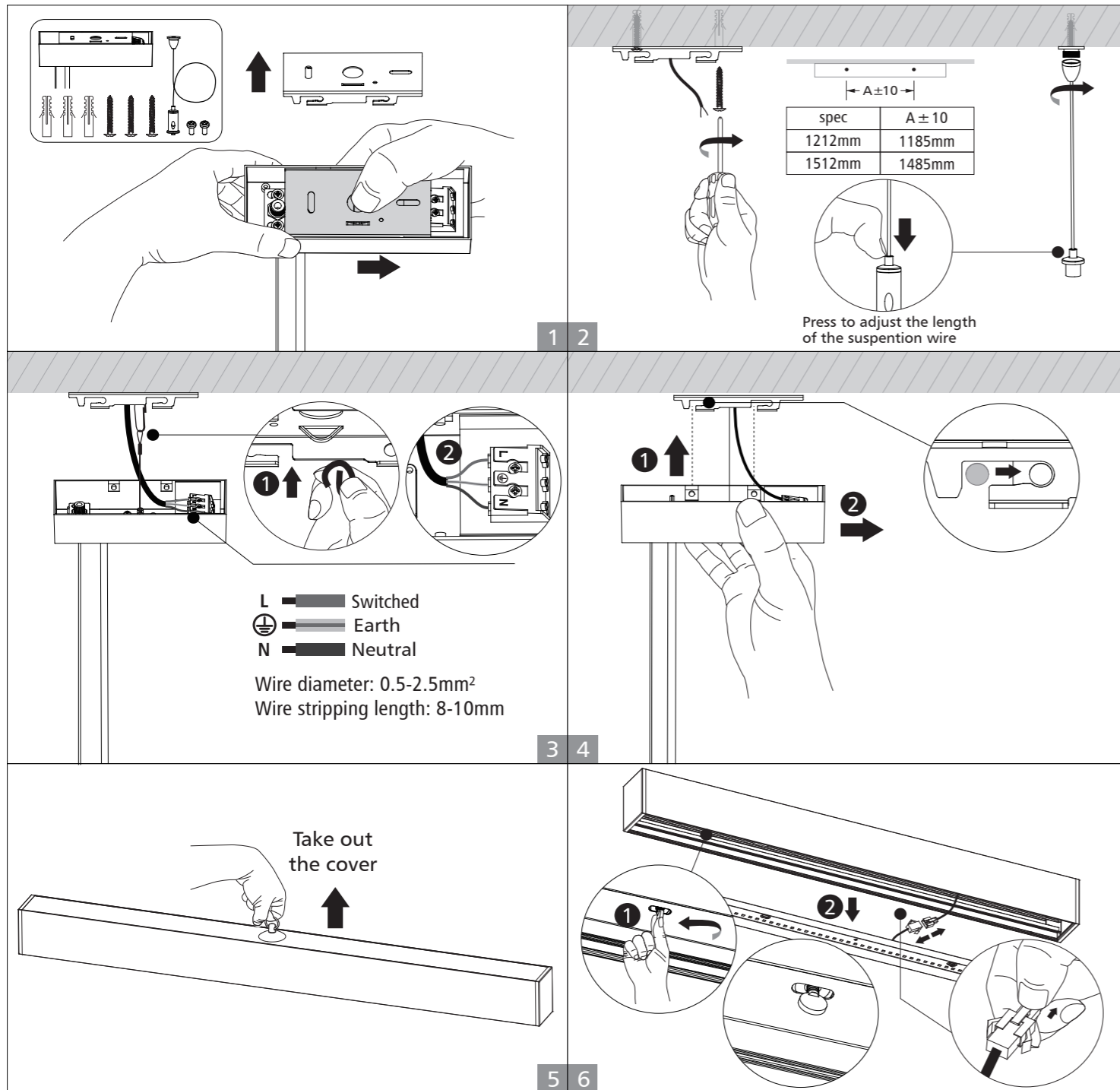
* The steps also applicable to "L"/"T"/"Y" shape connector splicing

Code	A-01	A-02	A-03	A-04	A-05	A-06
ACC	x2	x1	x4	x2	x4	x2








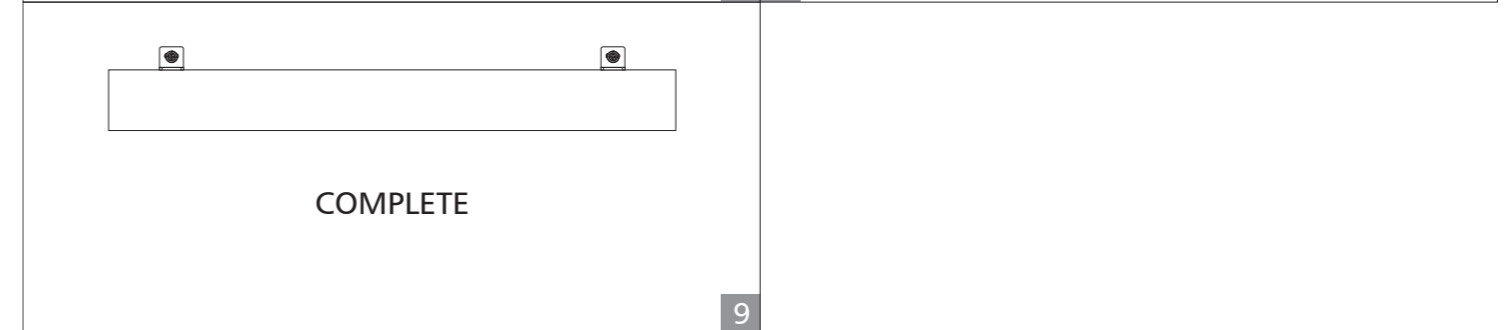
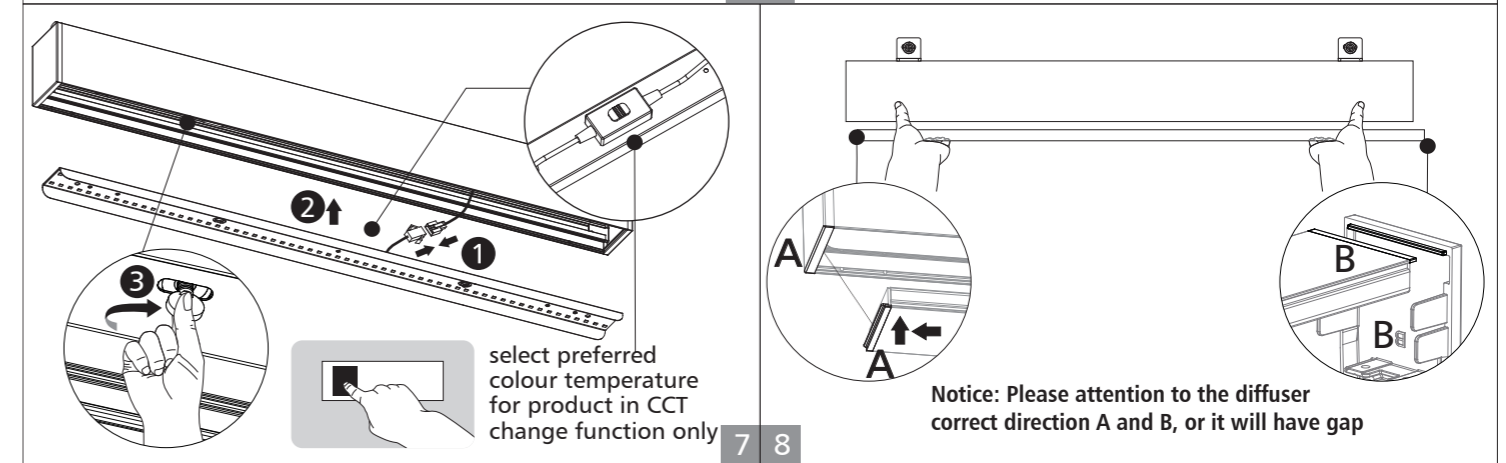
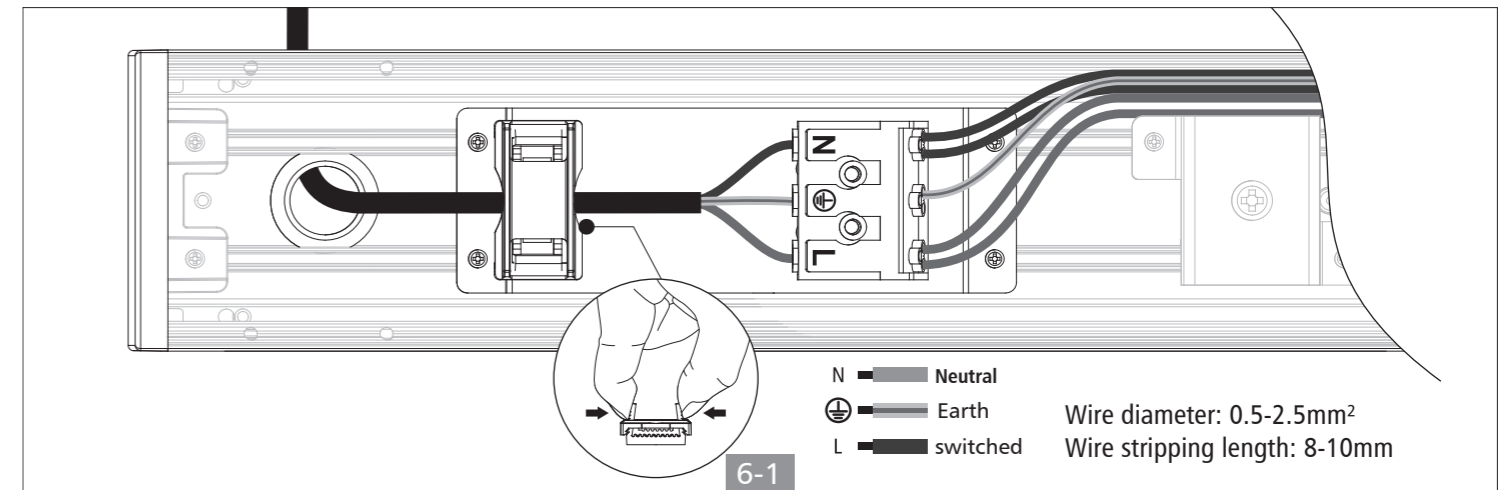
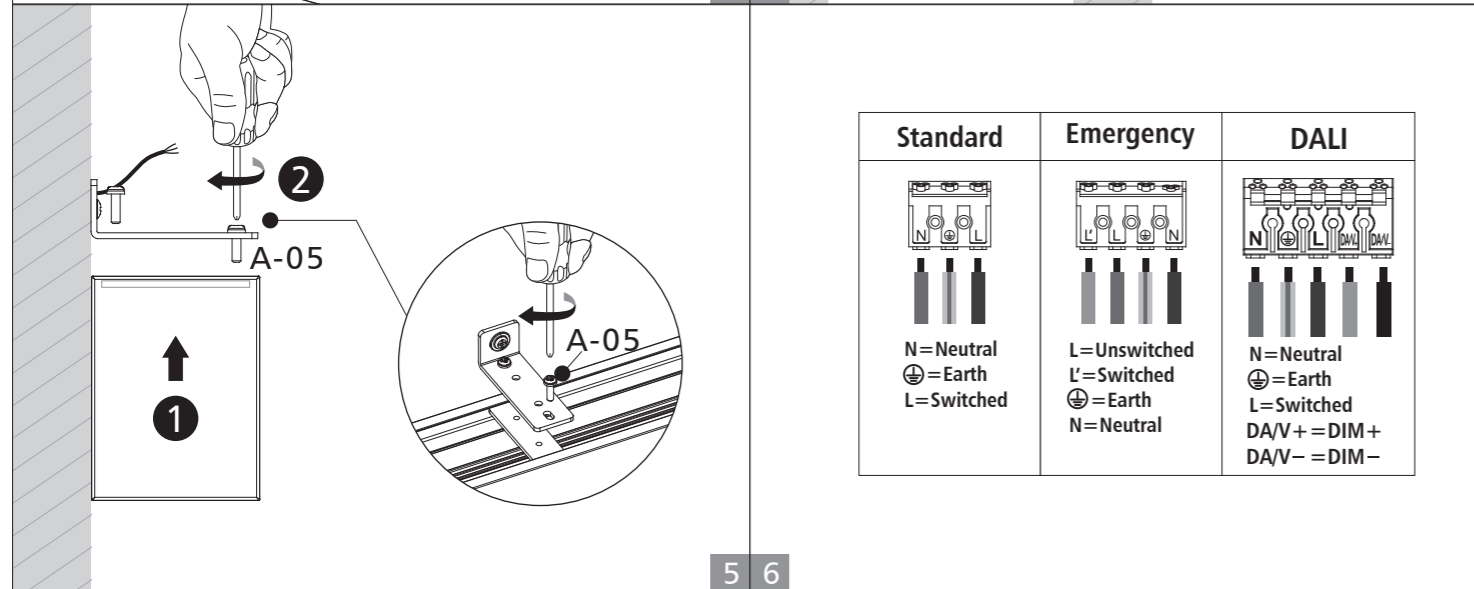
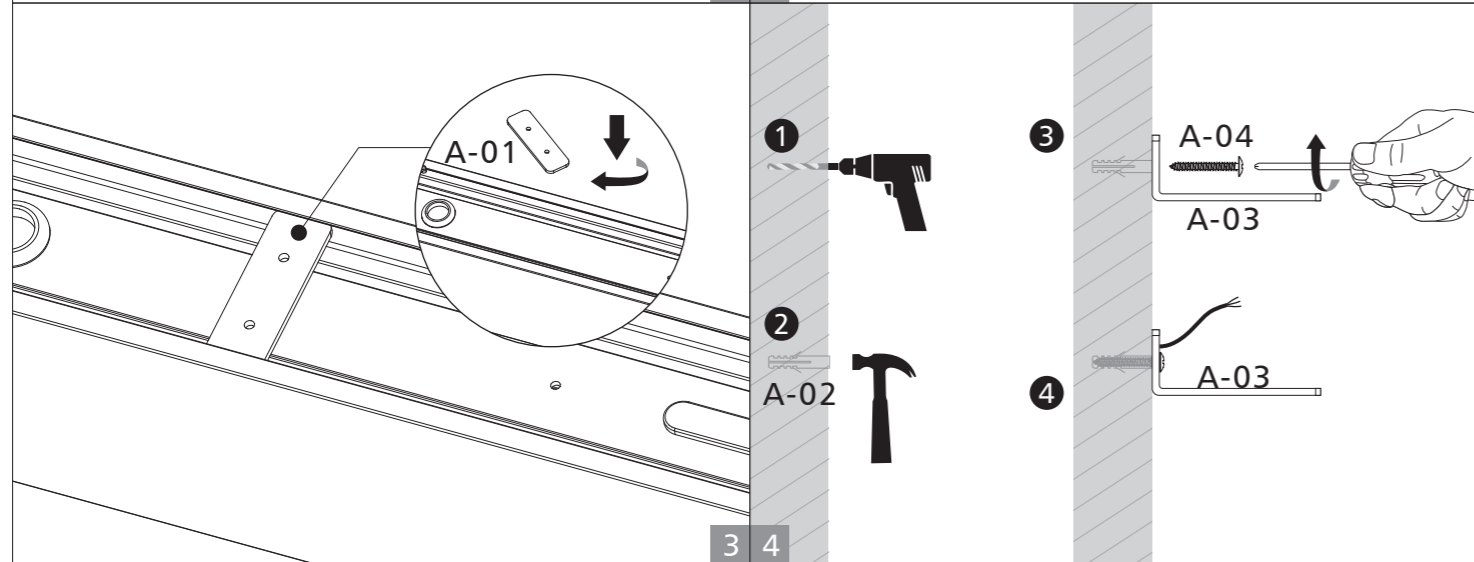
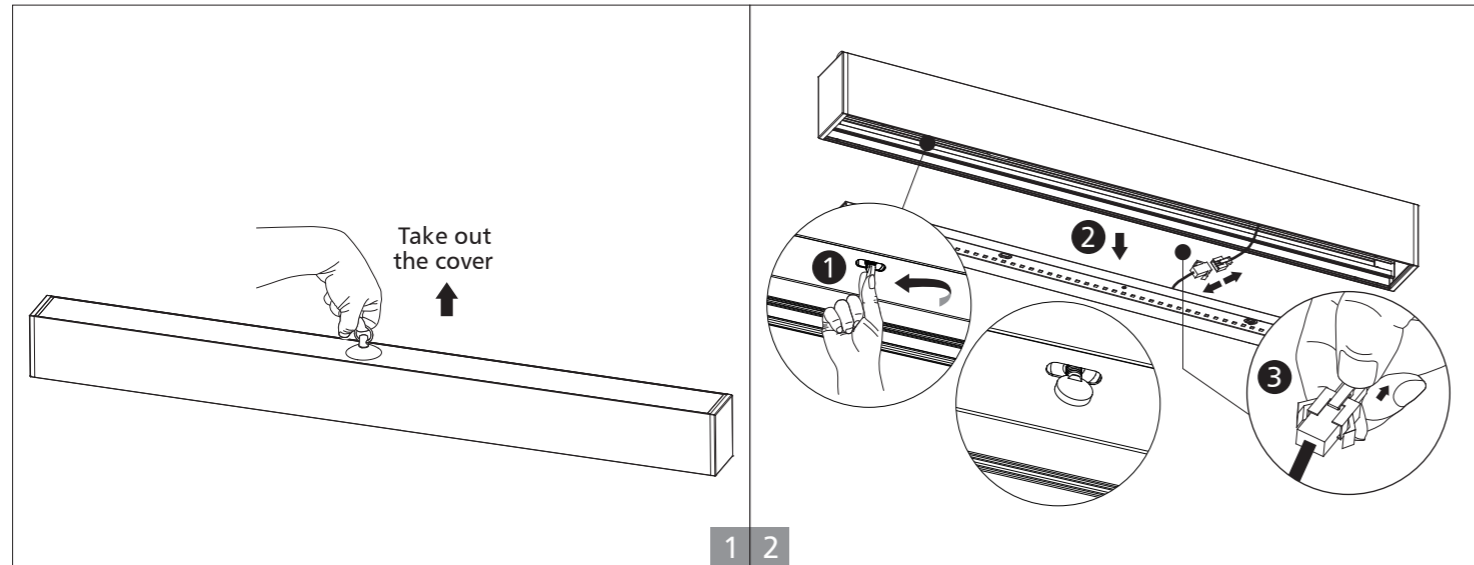


Pendant installation (With rectangular ceiling plate)







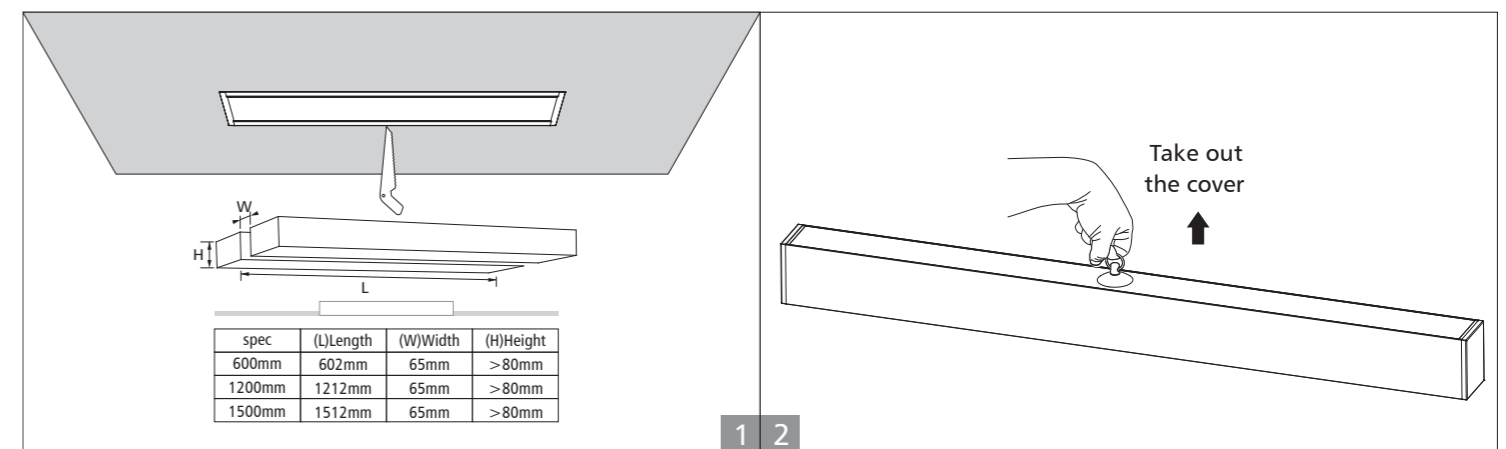
Wall mount installation

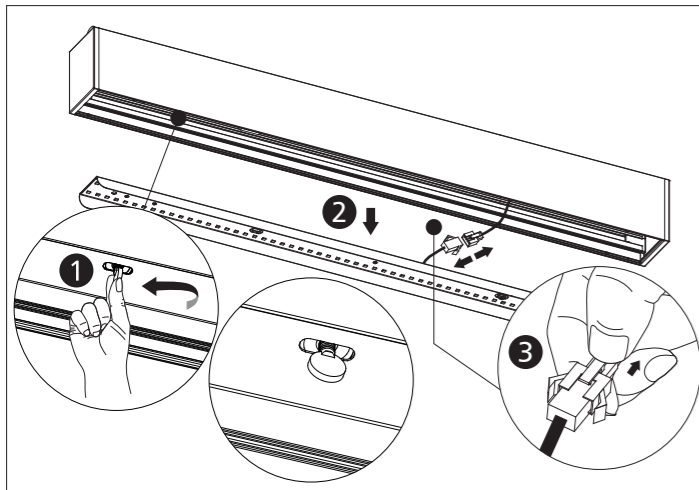
Code	A-01 	A-02 	A-03 	A-04 	A-05 
ACC	x2	x2	x2	x2	x4



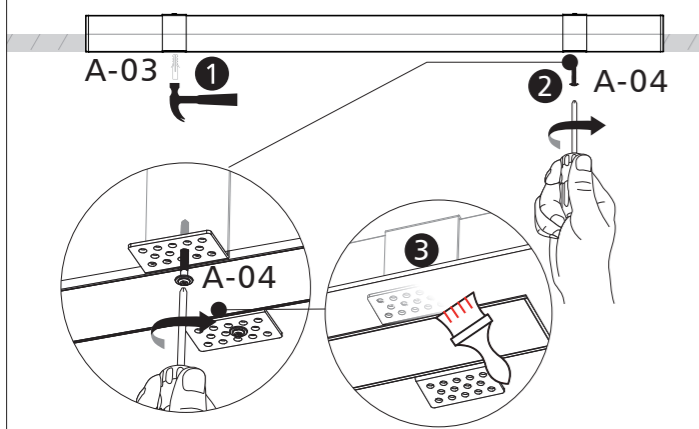
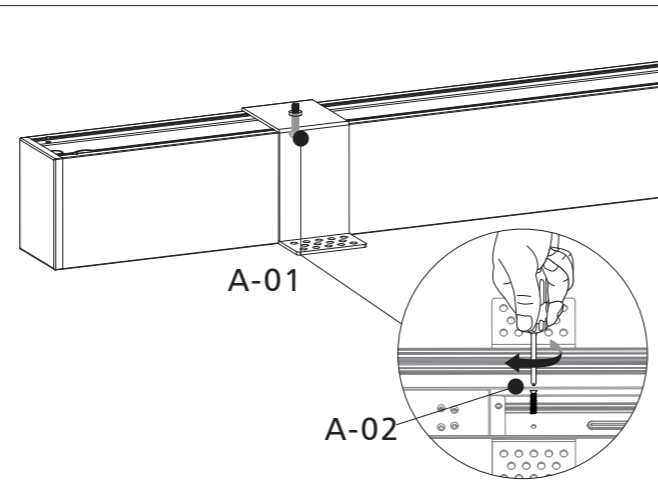
Recessed installation

Code	A-01 	A-02 	A-03 	A-04 
ACC	x2	x2	x4	x4



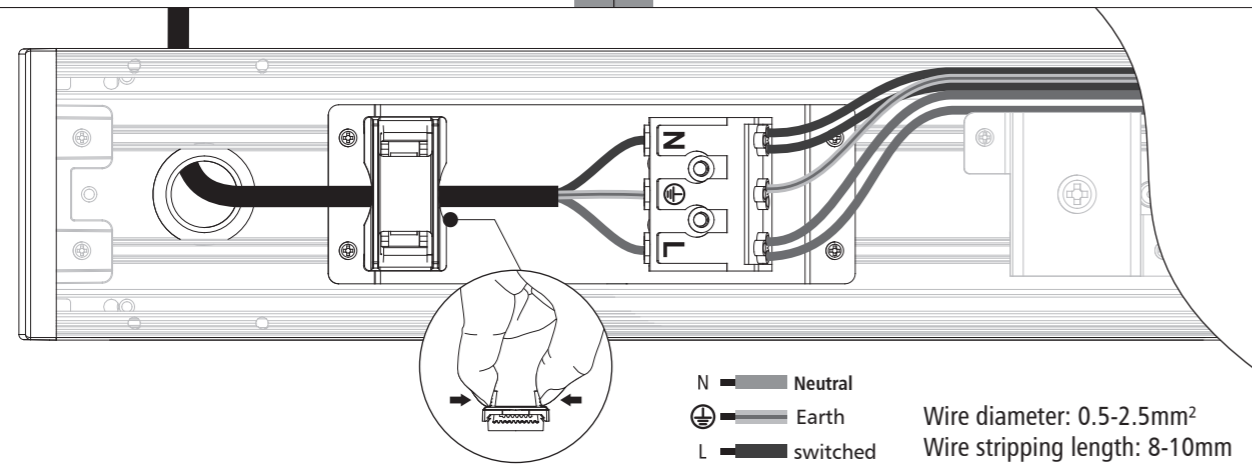


3 4

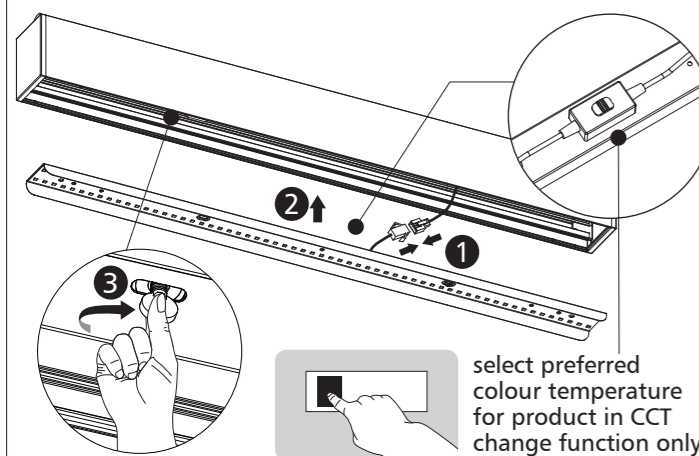


5 6

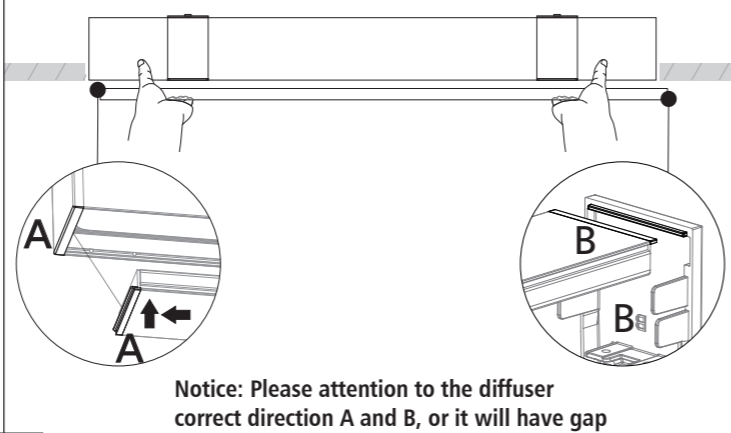
Standard	Emergency	DALI
N=Neutral ⊕=Earth L=Switched	L=Unswitched L'=Switched ⊕=Earth N=Neutral	N=Neutral ⊕=Earth L=Switched DA/V+=DIM+ DA/V- =DIM-



6-1

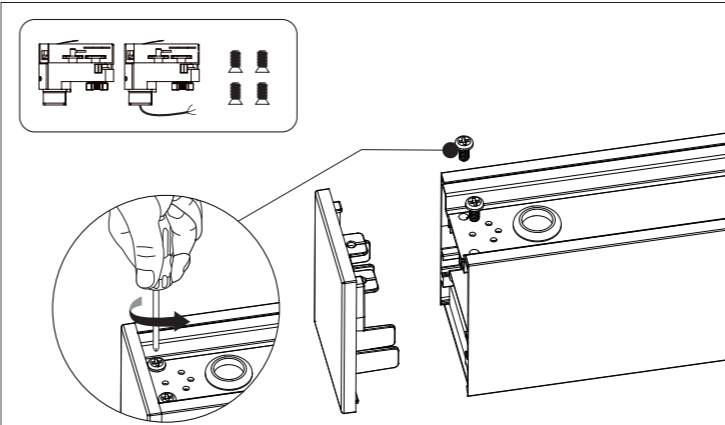


7 8

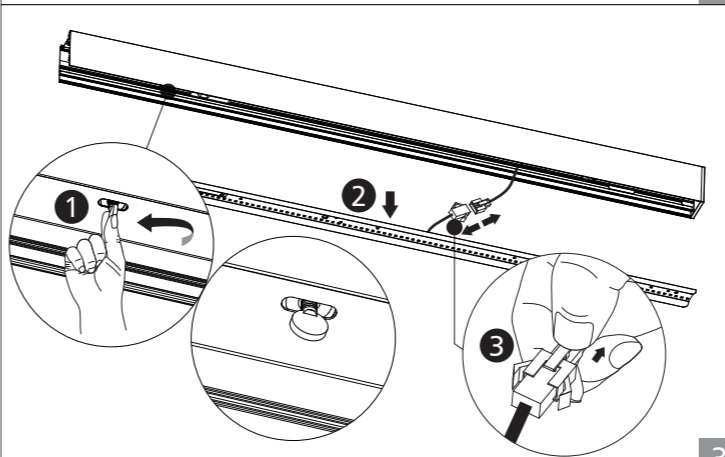
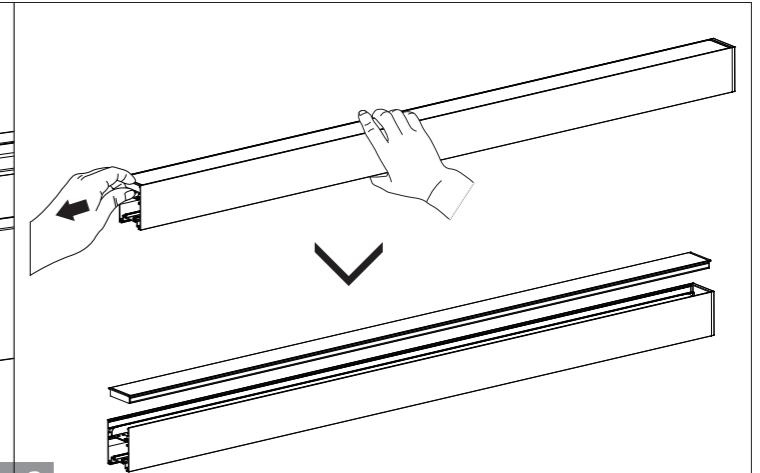


9

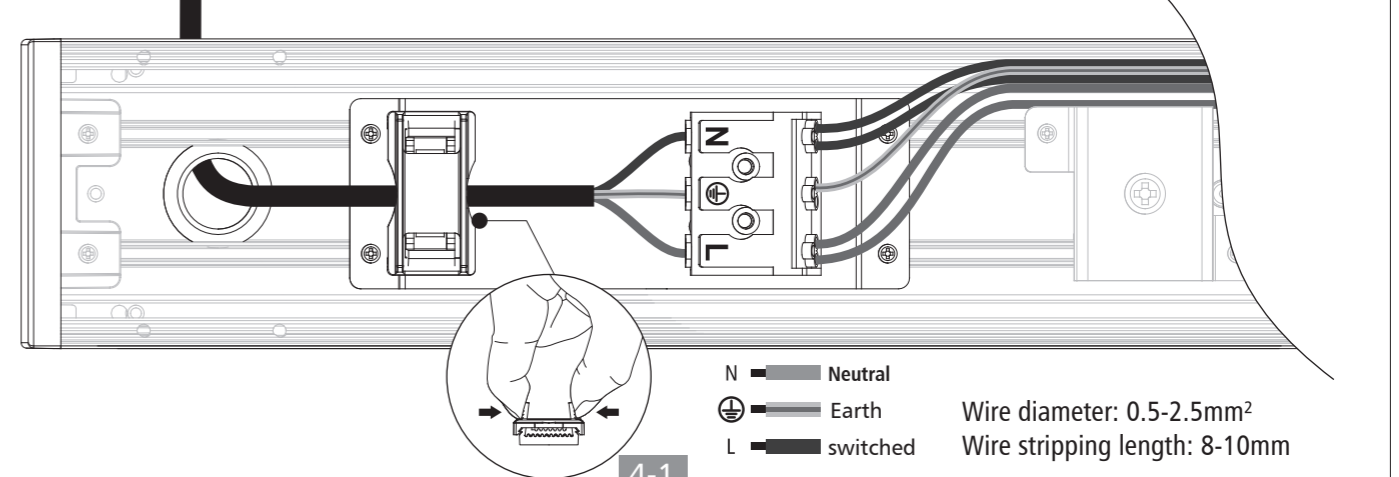
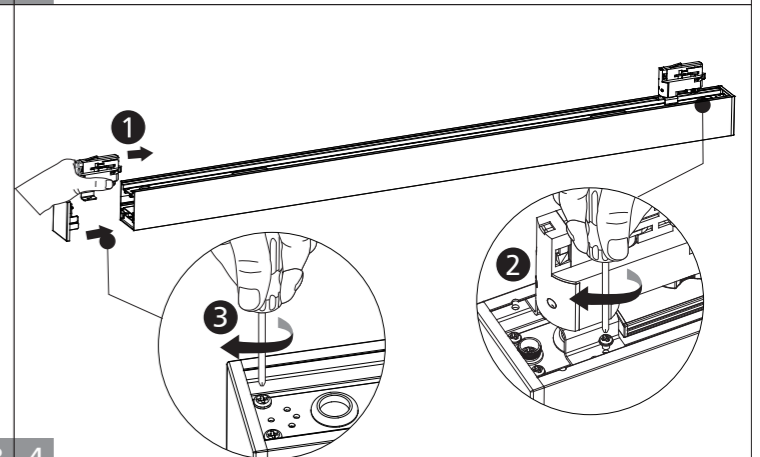
Track installation



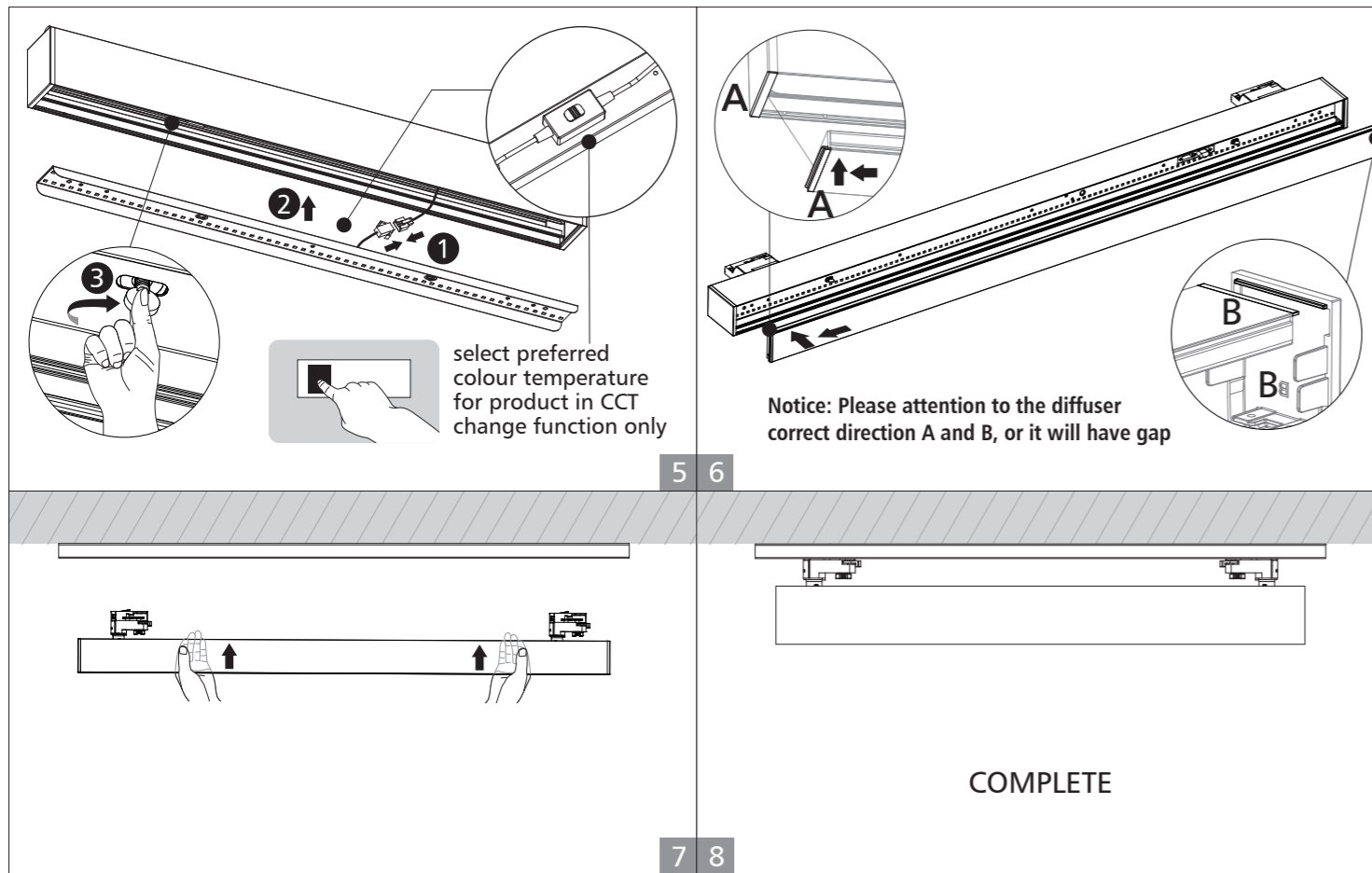
1 2



3 4



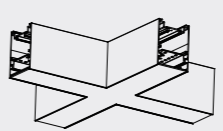

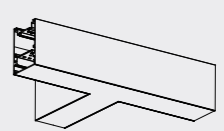
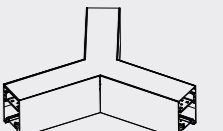
4-1

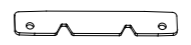




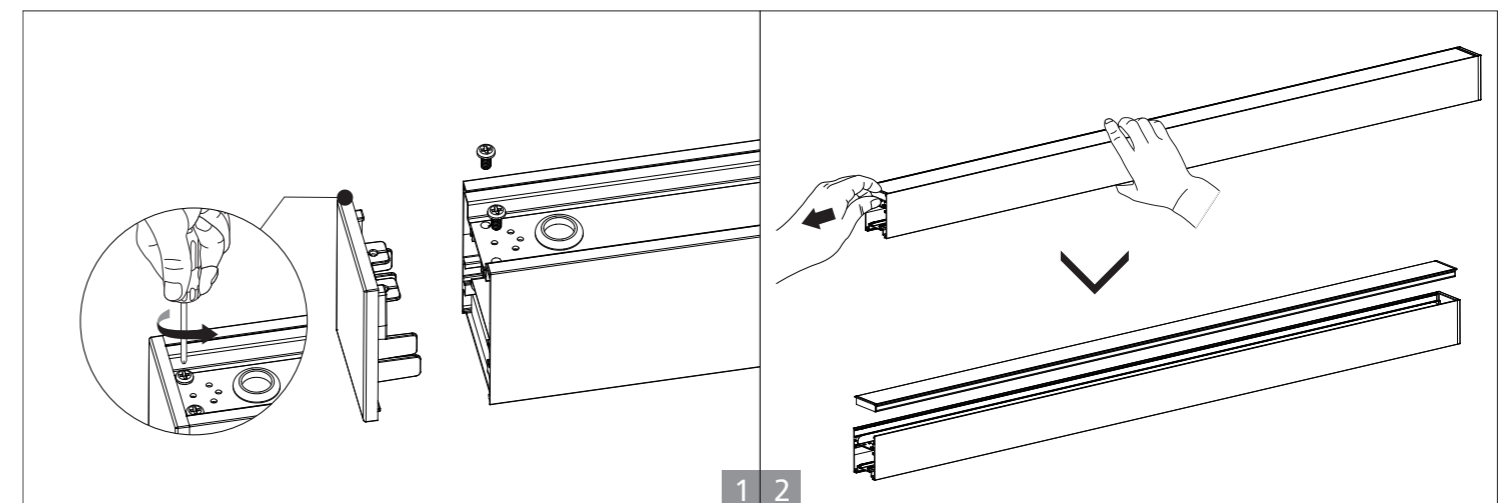
■ Ceiling surface mount splicing installation(Straight"-")

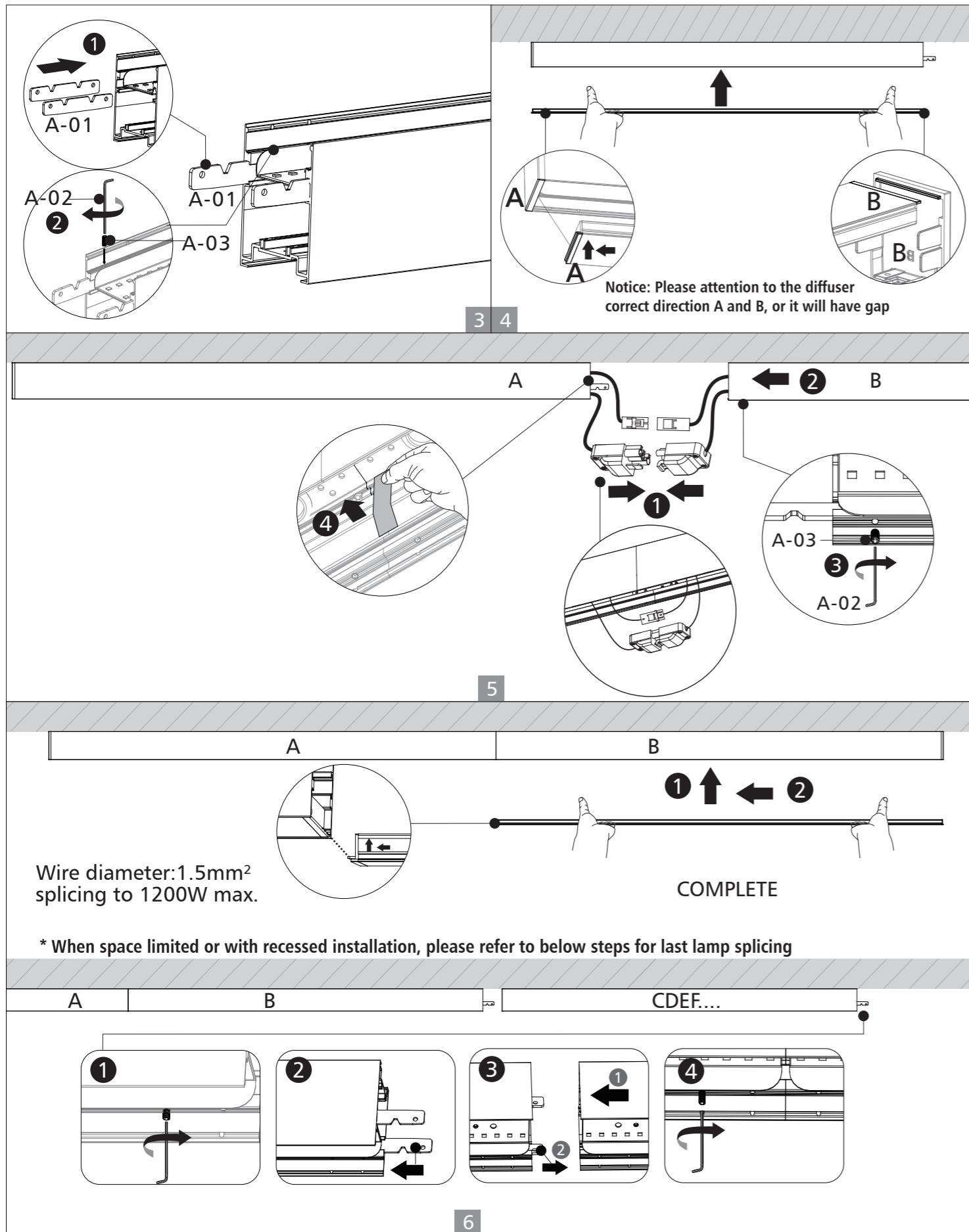
* The steps also applicable to recessed/wall mount splicing

* The steps also applicable to "L"/"T"/"Y" shape connector splicing

Cutout(mm) for recessed splicing				
Dimension with end cap(mm)	602	1212	1512	
Dimension without end cap(mm)	590	1200	1500	
Cutout(mm) straight splicing	Dimension without end cap*N+12 (N=connection quantity) (for example cutout for 2pcs 1200mm lamp splicing: 1200*2+12=2412mm)			
Cutout(mm) for X/L/T/Y accessories	X-shape	L-shape	T-shape	Y-shape
				
	L343*W57 L343*W57	L200*W57 L200*W57	L343*W57 L200*W57	L326*W57 L282*W57
Remark	For the combination of X, L, T, Y splicing, please open the hole according to the above data			

Code	A-01 	A-02 	A-03 
ACC	x2	x1	x4



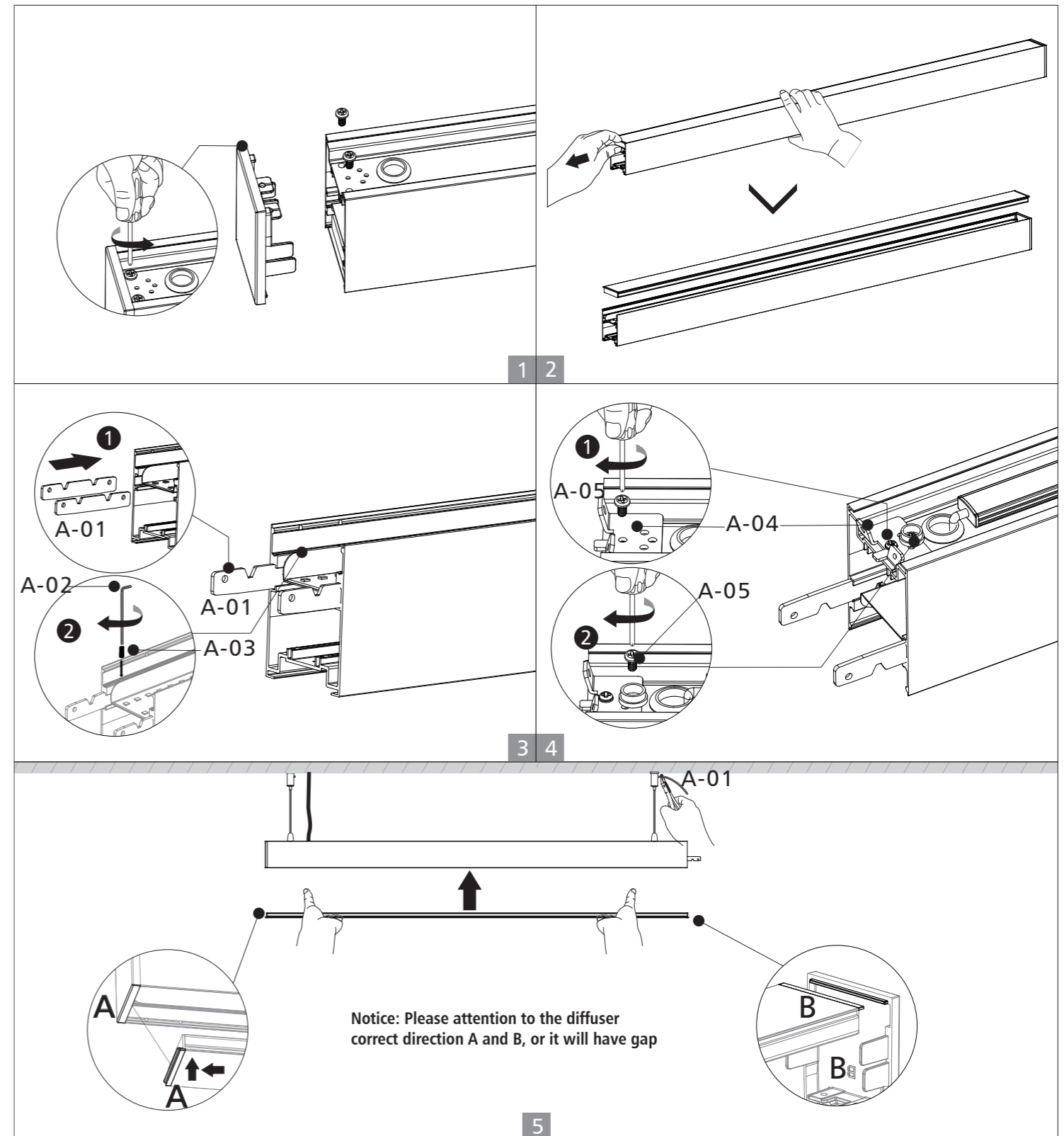


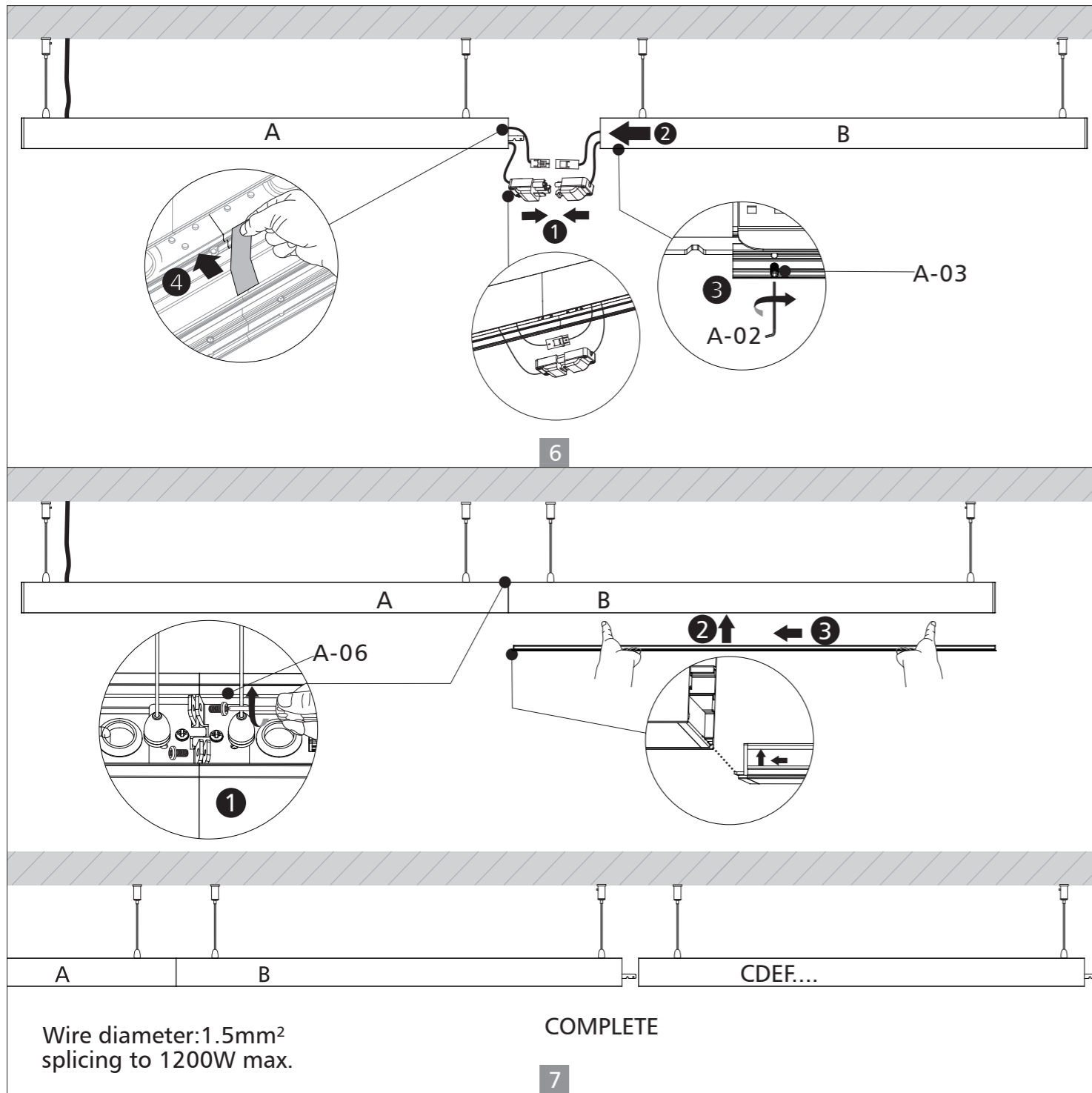
Pendant splicing installation(Straight"-")

* The steps also applicable to track splicing

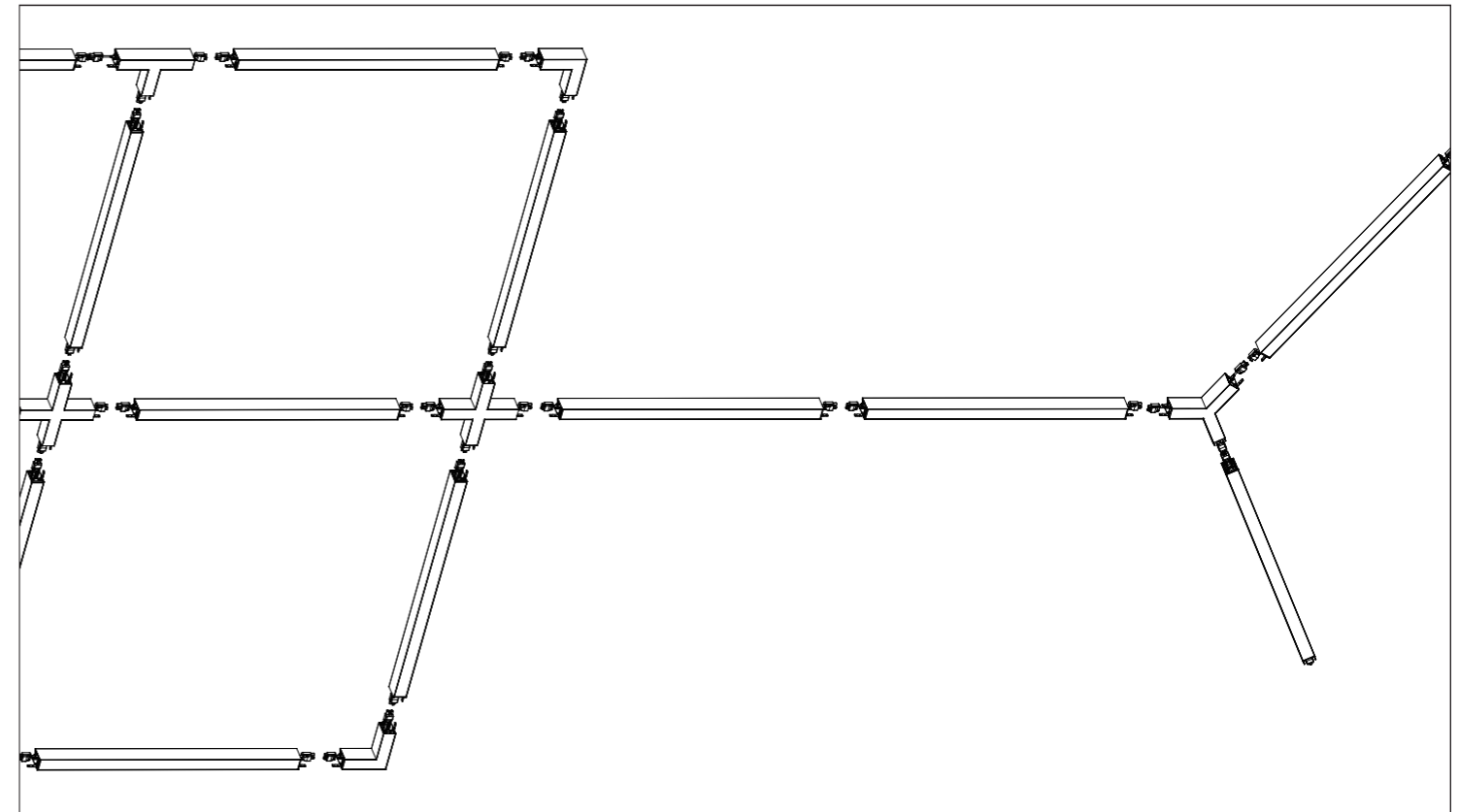
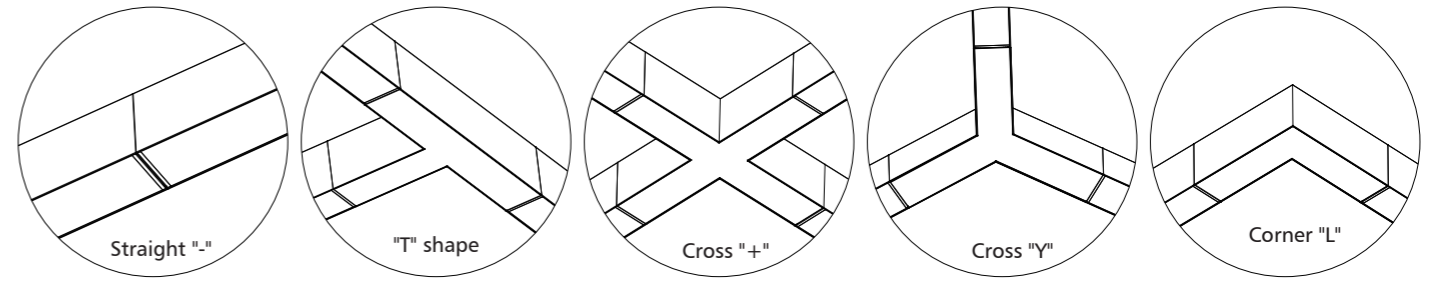
* The steps also applicable to "L"/"T"/"Y" shape connector splicing

Code	A-01	A-02	A-03	A-04	A-05	A-06
ACC	x2	x1	x4	x2	x4	x2

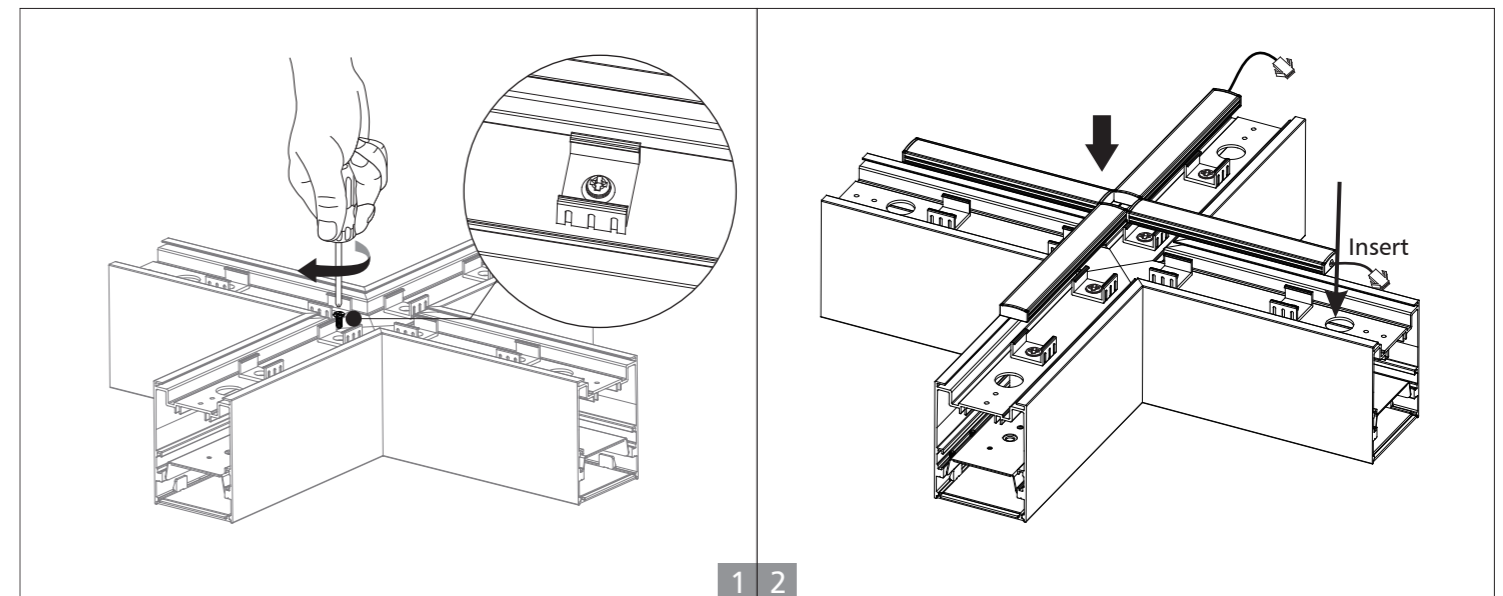


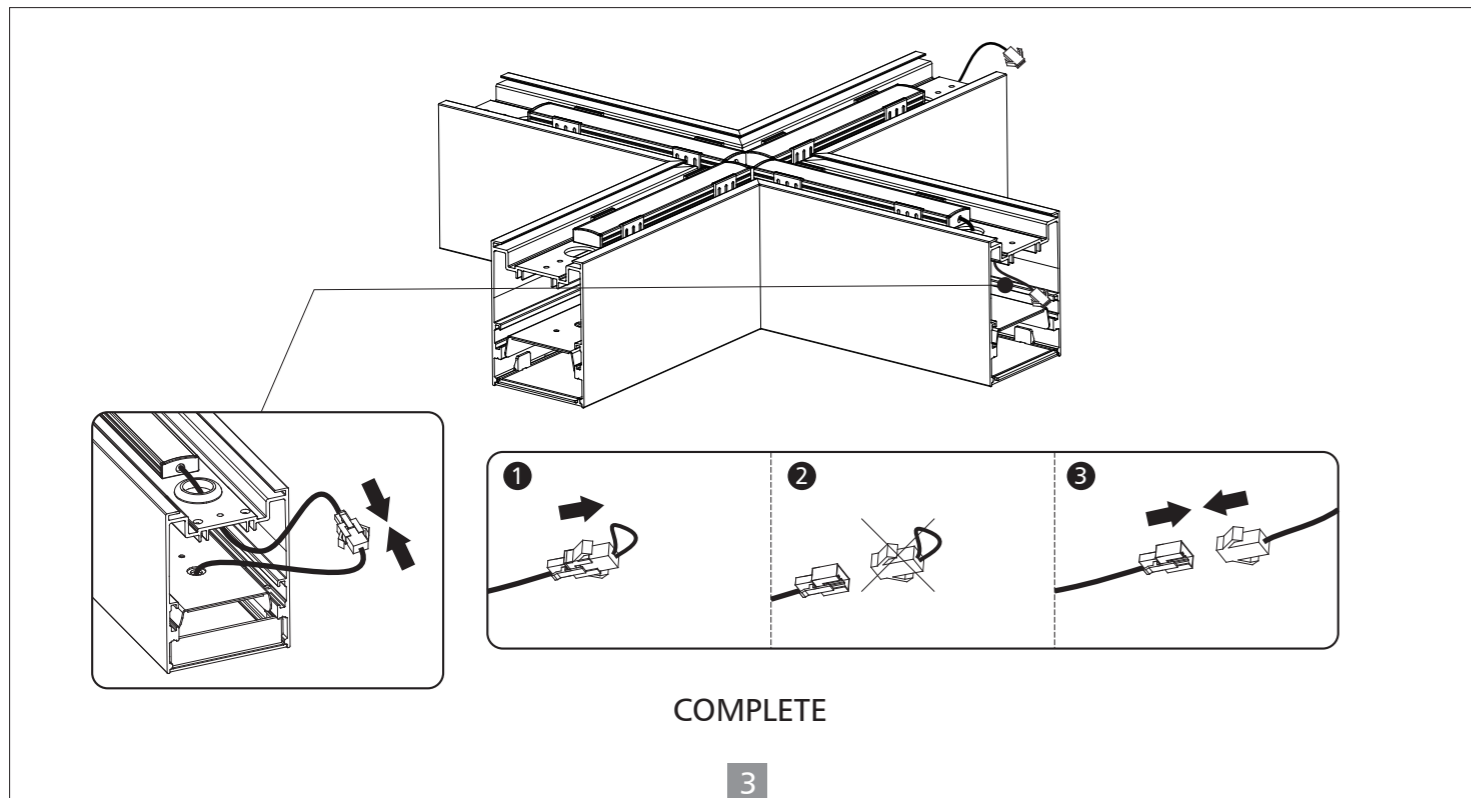


Multi-connection Installation



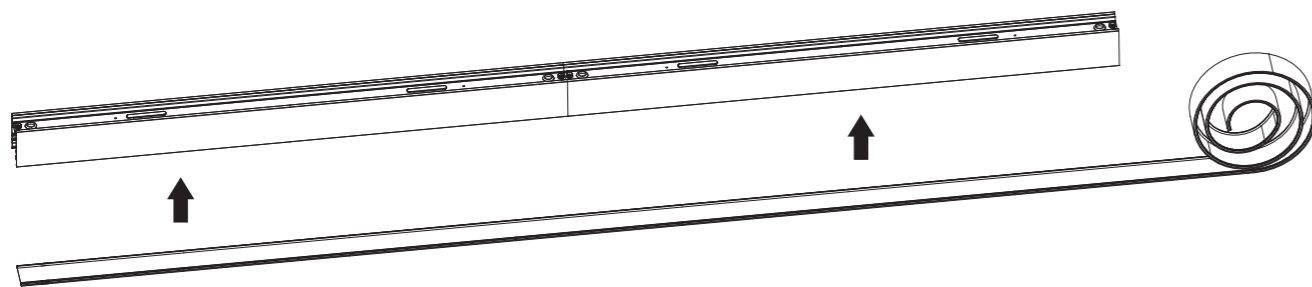
Up & down lighting distribution by adding upward LED module





Cover installation

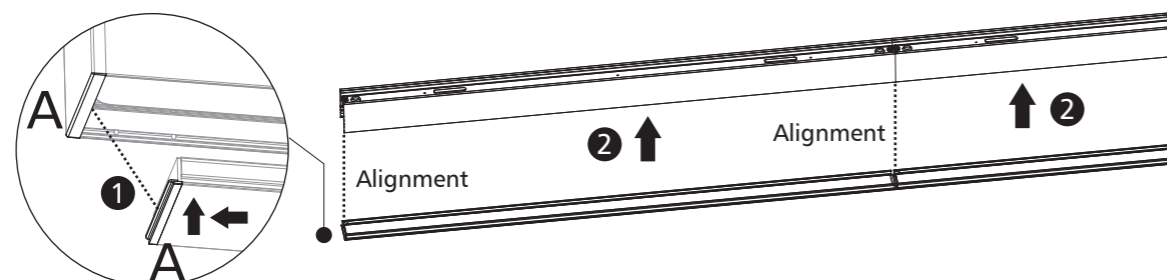
Soft cover installation



The soft lampshade will have a shrinkage rate of 7 / 10000 at Ta 25~45 degrees. During installation, a gap shall be reserved between the lampshade and the end cap. (Recommend max splicing length 6m with 2mm gap at both ends under Ta 25 C°, no need gap for Ta 45C°)

Fixed cover installation

Notice: Please attention to the diffuser correct direction A and B, or it will have gap



Blank fixture installation

