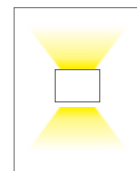


LASHE

UP and Down











Up and Down Light



LED Up and Down Linear Light . Housing: Extrusion aluminum alloy with powder-coated, Anti-glare deep reflector and Opal polycarbonate Diffuser . LED module: SMD LEDs, CRI>80, LM-80 performance approval >50,000 hours. Integrated-Type ON/OFF, 1-10V, DALI and DMX control gear. Deep recessed design achieves super eye comfort. The fixture can be available in different length.

Technical Data

Luminaire Type-安裝方式/Tipo de luminaria	Wall Mounted Type/ Pendant Type \ Surface mounted 壁掛式/吊裝燈具\吸頂式燈具 Pendent tipo \ Surface mounted	
Dimension-尺寸-Dimensión	L: 1120 x W: 50x H: 100 mm L: 1540 x W: 50x H: 100mm	L: 1270 x W: 50x H: 100mm
Power Consumption Max-燈具功率 Consumo de energía Max	L: 1130 mm : 33W (Down Light 20W + Up Light 13W) L: 1270 mm : 41W (Down Light 25W + Up Light 16W) L: 1550 mm : 50W (Down Light 33W + Up Light 22W)	34W (Down Light 24W + Up Light 10W) 45W (Down Light 27W + Up Light 18W) 55W (Down Light 35W + Up Light 20W)
Input Voltage-輸入電壓-Voltaje de entrada	220-240 VAC 50-60Hz,	
Power Factor / 功率因數/Factor de potencia	PF>0.90 or PF > 0.95 Refer to LED Driver data sheet	
Total Harmonic Distortion/總諧波失真/Distorsión armónica total	THD<20%	
LED Driver Type LED驅動款式 Tipo de controlador LED	Integrated-type LED Driver--Refer to LED driver specification 請參閱LED驅動器規格 Consulte la especificación de controlador de LED 1. ON/OFF Switch AC220-240V 50/60HZ 2. 1-10V Dimming Driver AC200-240V 50/60HZ 3. DALI 1-100% Dimming Driver AC220-240V 50/60HZ 4. DMX Driver AC220-240V 50/60HZ 5. RDM Driver AC220-240V 50/60HZ 8. Remoted Emergency Backup >2 hours or >3 hours @ < 12charger hours 應急電池/Copia de seguridad de emergencia	
Control Protocol-控制協議 Protocolo de Control	1-10V / DALI / DMX 512 / RDM / ZIGBEE Wireless Control	
Beam Angle 光東角 ángulo de haz	110° PC Diffuser UGR 22 70°PC Diffuser+ Louver A UGR 19 65°PC Diffuser+ Louver A UGR 13 120°Penta-PC-Diffuser	
Light Source Brand-光源品牌-Fuente de luz de marca	SMD LED	
"Lumen Maintenance LM-80 Reported by TM-21"@ 25 °C	L70(10k) > 63,500 hrs	
LED Life-LED壽命-La vida del LED	>60,000 hours	
Color Temperature -色溫 Temperatura del color	2700K / 3000K / 4000K / 5000K / 6500K	
Color Rendering Index-顯色指數 Índice de reproducción cromática	> 80 > 90	
MacAdam Ellipses Binning 麥克亞當橢圓分級 Mac Adam binning elipse	Standard Deviation Colour Matching < 3 SDCM 標準偏差配色 < 3 SDCM Coincidencia de color estándar Desviación < 3 SDCM	
Luminaire Efficacy燈具效率 La eficacia de la luminaria	General Efficacy: 90 Lm/w(2700K), 100 Lm/w(3000K), 100 Lm/w(4000K), 110Lm/w(5000K), 110 Lm/w(6500K) High Efficacy: 130 Lm/w(2700K), 135 Lm/w(3000K), 135 Lm/w(4000K), 140Lm/w(5000K), 140 Lm/w(6500K)	
LED Source Luminous EfficacyLED光源光效 Fuente luminosa LED Eficacia	General Efficacy: 120 Lm/w(2700K), 120Lm/w(3000K), 130 Lm/w(4000K), 145 Lm/w(5000K), 145 Lm/w(6500K) High Efficacy: 160 Lm/w(2700K), 160Lm/w(3000K), 170 Lm/w(4000K), 170 Lm/w(5000K), 170 Lm/w(6500K)	
Housing materials-外殼材料 Materiales de la carcasa	Aluminium and Anti UV Opal PMMA or Polycarbonate or Microprismatic diffuser 鋁和抗紫外線乳白PMMA 或PC或棱晶紋單 Difusor de Aluminio y Anti UV Opal PMMA o Policarbonato o Microprismático	
Housing Color 外殼顏色 color de la carcasa	Matte white / Matte black / Matte silver 啞光白色 / 啞光黑色 / 啞光銀色 Blanco mate / Matte black / Astilla mate	
Ingress Protection-防護等級 Protección de ingreso	IP40	
Operating Humidity -工作濕度 Humedad de funcionamiento	0~90%, non-condensing-不結霜 sin condensación	
Operating Temperature Range / 工作溫度範圍 Rango de temperatura de funcionamiento	-30 °C / +50 °C	
Comply Testing Standard 符合測試標準 Cumplir el estándar de prueba	LED Luminaries: LVD: IEC/EN 60598-1;EN / IEC/EN 60598-2-1;IEC62471;IEC/EN 62031; IEC/EN 62493; IEC/EN 62471 LED Driver: EMC: EN55015 ; IEC/EN 61000-3-2; IEC/EN 61000-3-3;IEC/EN61574 ; RoHS IEC/EN 61347-1; IEC/EN 61347-2-13; IEC/EN 62384; IEC/EN 61000-3-2; IEC/EN 61000-3-3;IEC/EN61574;EN 55015 ; IEC /EN 62384	
Certification-認證-Certificación	       	

Project	Fixture#	Date
		Firm



Ordering Information

Choose the option that suits your need and write its corresponding code on the appropriate line to form the product code.

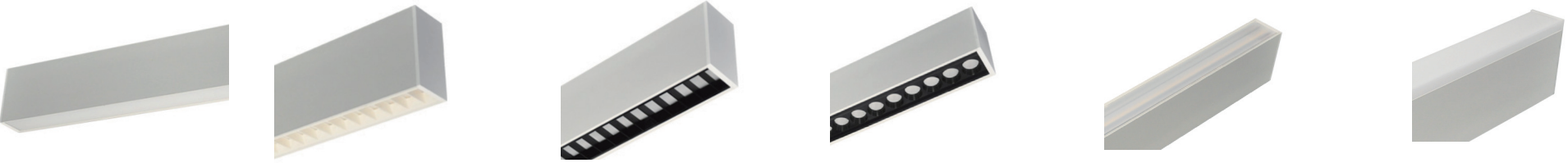
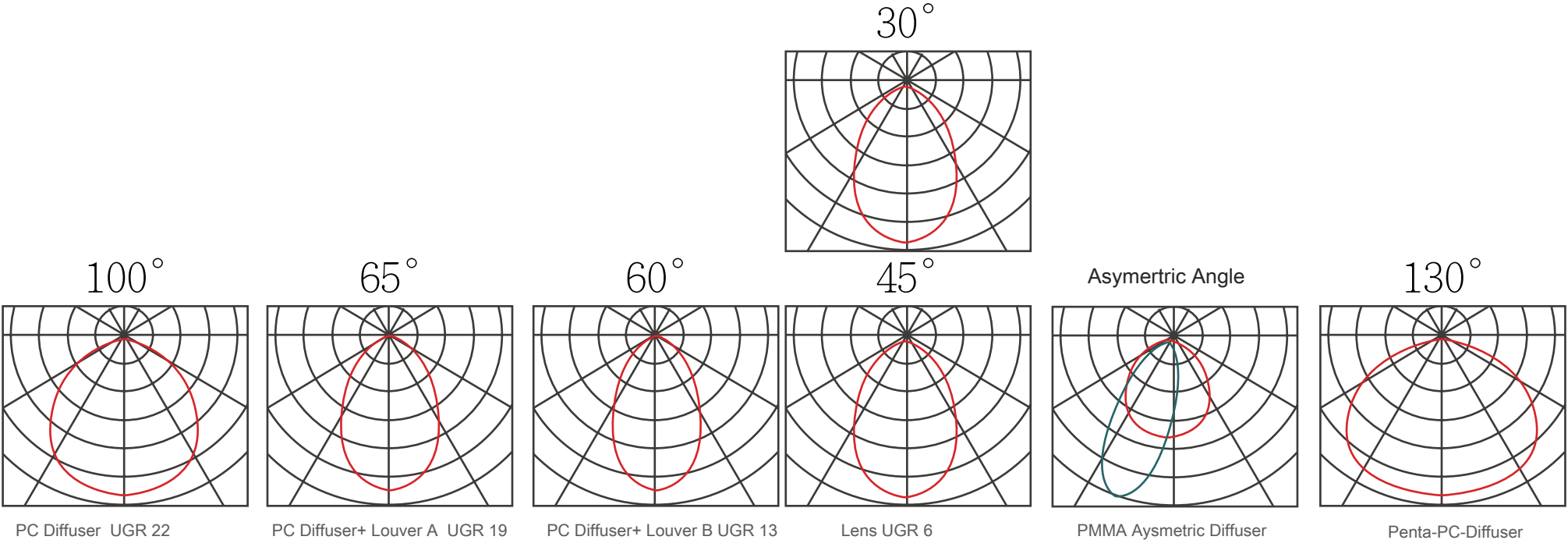
Example product code: [LASHE-41W-SW-27-80-G-1550](#)

LASHE - - - - -

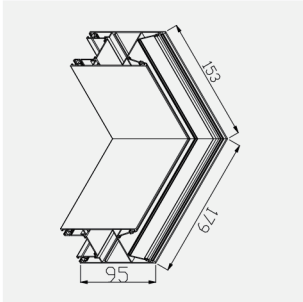
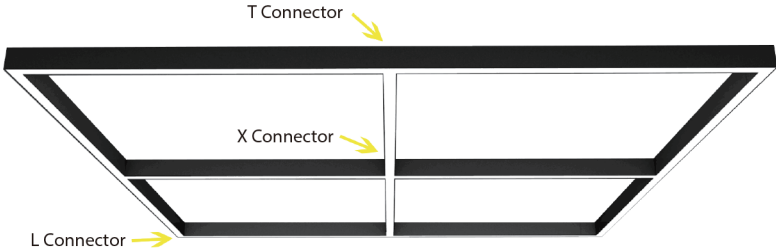
Power Consumption
LED DRIVER TYPE
COLOR TEMPERATURE
COLOR RENDERING INDEX
BEAM ANGLE (DIFFUSER SYSTEM)
LENGTH

Power Consumption		LED DRIVER TYPE		COLOR TEMPERATURE		COLOR RENDERING INDEX		BEAM ANGLE (DIFFUSER SYSTEM)		LENGTH	
Code	Description	Code	Description	Code	Description	Code	Description	Code	Description	Code	Description
33W	33W (Down Light 20W + Up Light 13W) @1120mm	SW	ON/OFF Switch	27	2700K	80	CRI >80	T	65° PC Diffuser+ Louver B UGR 13	1130	L: 1130 mm
34W	34W(Down Light 24W + Up Light 10W)@1120mm	AN	Analog 0 -10V Dimming	30	3000K	90	CRI >90	G2	70° PC Diffuser+ Louver A UGR 19	1270	L: 1270mm
41W	41W (Down Light 25W + Up Light 16W) @ 1270mm	DA	DALI Dimming	40	4000K			G	110° PC Diffiser UGR22	1550	L: 1550mm
45W	45W (Down Light 27W + Up Light 18W)@ 1270mm	DMX	DMX Dimming	50	5000K			P	120° Penta-PC-Diffuser		
50W	50W (Down Light 33W + Up Light 22W) @ 1540mm	RDM	RDM Dimming	65	6500K						
55W	55W (Down Light 33W + Up Light 22W) @ 1540mm	EM	Emergency Battery								

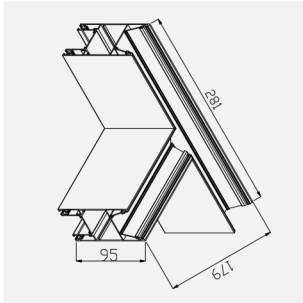
BEAM ANGLE



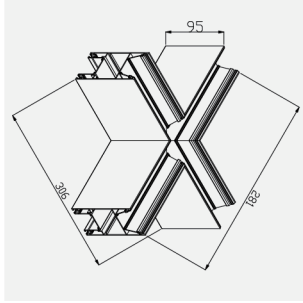
Connect Accessories:



L Connector



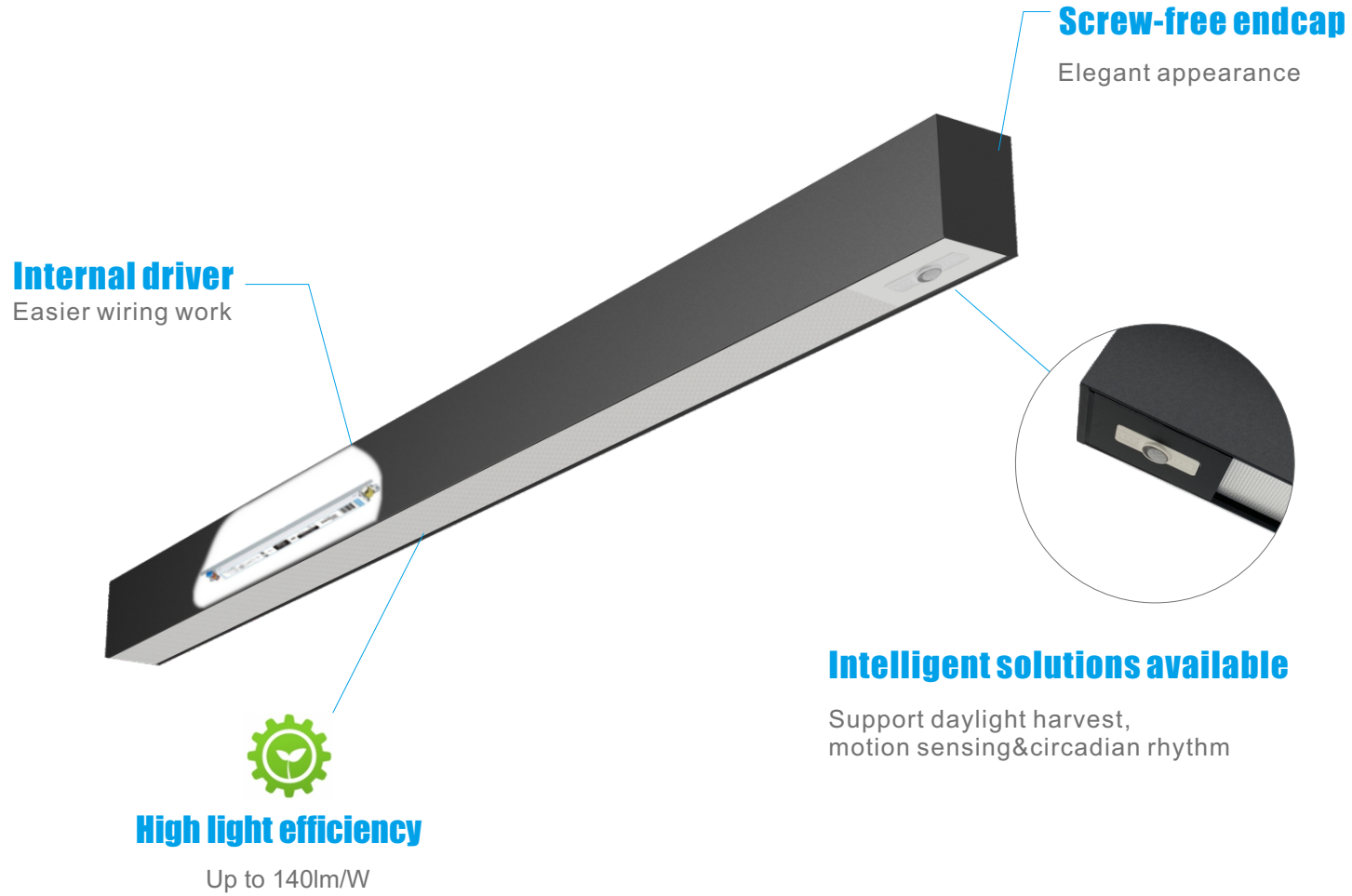
T Connector



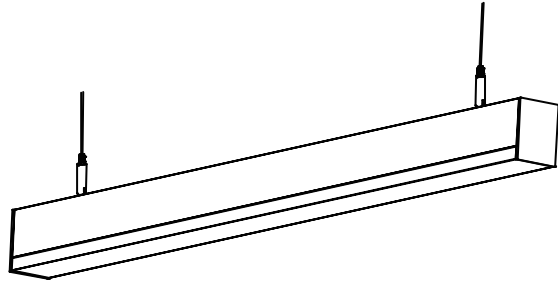
X Connector

Unit: mm

Structure

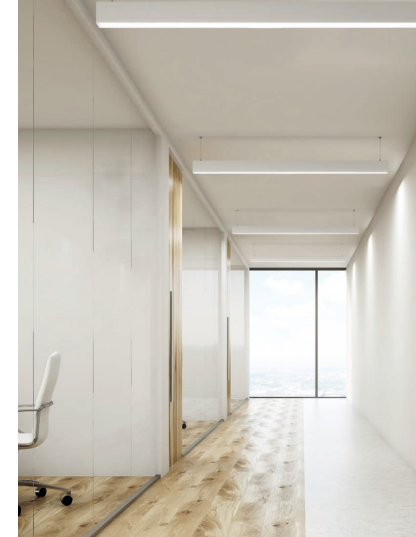


Technical Drawing



- L: 1130 x 100 x50 mm (LxHxW)
- L: 1270 x 100 x50 mm (LxHxW)
- L: 1550 x 100 x50 mm (LxHxW)

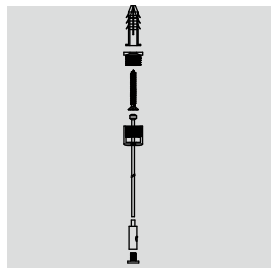
Suspended



Pictures

Accessories

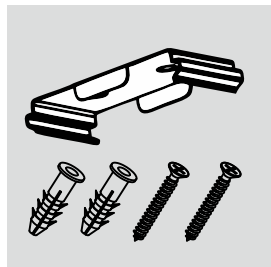
Model no.



Suspended Kit
1.5m as standard.

CODE
DM-ACS-UTM-SK

Surface mounted



Surface mount kit

CODE
DM-ACS-UTM-SMK