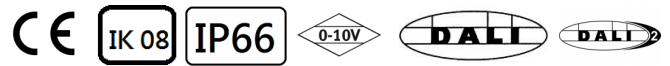


## LATARY-WALL

10W to 36W IP66




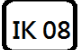




Up and Down Light



Up or Down Light

- LED OUTDOOR WALL MOUNTED UP AND DOWN LIGHT.
- Housing: die-cast aluminium, powder-coated, designed as heat sink.
- Anti-glare reflector and diffusor system made of tempered glass.
- Ingress protection: IP66 / IK08

## Technical Data

Installation method / 安裝方式 / Metodo de instalacion	Wall Mounted Type - 壁掛式燈具 - Tipo montado en la pared
Dimension-尺寸-Dimensión	Up or Down Light : Dia 86 x H: 150 x D136mm or Dia 105 x H: 170x D165mm Up and Down Light: Dia 86 x H: 200 x D136mm or Dia 105 x H: 220 x D165mm
Input Voltage-輸入電壓-Voltaje de entrada	AC 220-240V 50/60HZ
Power Consumption Max-燈具功率 Consumo de energía Max	<b>Up or Down Light :</b> Dia 86mm x H: 150mm x D136mm : 10W 16 W 20W Dia 105mm x H: 170mm x D165mm : 25 W 30W <b>Up and Down Light:</b> Dia 86mm x H: 200mm x D136mm : 18W (2x9W) 20W (2x10W) Dia 105mm x H: 220mm x D165mm : 30W(2x15W) 36W (2x18W)
LED Driver Type LED驅動款式 Tipo de controlador LED	Integrated-type LED Driver--Refer to LED driver specification 請參閱LED驅動器規格 Consulte la especificación de controlador de LED 1. ON/OFF Switch AC220-240V 50/60HZ 2. 0/1 -10V Dimming Driver AC220-240V 50/60HZ 3. DALI Dimming Driver AC220-240V 50/60HZ
LED Driver Features驅動特性 Funciones del controlador de LED	POWER FACTOR : PF>0.90 TOTAL HARMONIC DISTORTION: THD< 20%
Control Protocol-控制協議 Protocolo de Control	0/1-10V / DALI
Beam Angle光東角ángulo de haz	12° 24° 36° 60°
Light Source Brand-光源品牌-Fuente de luz de marca	CREE COB
"Lumen Maintenance LM-80 Reported by TM-21"	L70 > 54,000 hrs
LED Life-LED壽命-La vida del LED	>100,000 hours
Color Temperature -色溫 Temperatura del color	2700K / 3000K / 4000K/ 6500K
Color Rendering Index-顯色指數 Índice de reproducción cromática	>80
MacAdam Ellipses Binning 麥克亞當橢圓分級 Mac Adam binning ellipse	Standard Deviation Colour Matching < 3 SDCM 標準偏差配色< 3 SDCM Coincidencia de color estándar Desviación < 3 SDCM
Luminaire Efficacy燈具效率 La eficacia de la luminaria	80 Lm/w(2700K) 80 Lm/w(3000K) 90Lm/w(4000K) 100Lm/w(6500K)
LED Source Luminous Efficacy LED光源光效 Fuente luminosa LED Eficacia	130 Lm/w(2700K), 140 Lm/w(3000K), 150 Lm/w(4000K), 150 Lm/w(6500K),
Housing materials-外殼材料 Materiales de la carcasa	Die-cast aluminum and tempered glass壓鑄鋁和鋼化玻璃 Fundicion de aluminio y vidrio templado
Housing Color外殼顏色 color de la carcasa	Powder Coating :Black RAL9005 / White RAL9003 / Silver Grey RAL9006 / Dark Grey RAL7043 粉體塗裝: 黑色 RAL 9005 / 白色 RAL 9003 / 銀灰色 RAL 9006 / 深灰色 RAL 7043 Recubrimiento en polvo: Negro RAL 9005 / Blanco RAL 9003 / Gris plateado RAL 9006 / Gris oscuro RAL 7043
Operating Temperature Range / 工作溫度範圍 Rango de temperatura de funcionamiento	-20 °C / +50 °C
Operating Humidity -工作濕度 Humedad de funcionamiento	0~100%, non-condensing-不結霜 sin condensación
Ingress Protection-防護等級 Protección de ingreso	IP66
Mech impact protection 機械衝擊保護 Protección contra impactos mecánicos	IK08
Comply Testing Standard 符合測試標準 Cumplir el estándar de prueba	LED Luminaries: EN 60598-1;EN 60598-2-1; IEC TR62778 IEC62471 ; IEC 62031; RoHS LED Driver: IEC/EN 61347-1; IEC/EN 61347-2-13; IEC/EN 62384; IEC/EN 61000-3-2; IEC/EN 61000-3-3;IEC/EN61574;EN 55015
Certification-認證-Certificación	     

Project	Fixture#	Date
		Firm

## Ordering Information

Choose the option that suits your need and write its corresponding code on the appropriate line to form the product code.

Example product code: [LATARY-18W](#)

LATARY-WALL - -

\_\_\_\_\_ Power Consumption

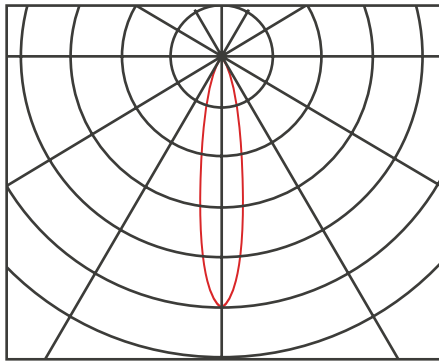
Power Consumption	
Code	Description
<a href="#">10W</a>	1x10W @ Dia 86mm x H: 150mm x D136mm Up or Down Light
<a href="#">16W</a>	1x16W @ Dia 86mm x H: 150mm x D136mm Up or Down Light
<a href="#">20W</a>	1x20W @ Dia 86mm x H: 150mm x D136mm Up or Down Light
<a href="#">25W</a>	1x25W @ Dia 105mm x H: 170mm x D165mm Up or Down Light
<a href="#">30W</a>	30W @ Dia 105mm x H: 170mm x D165mm Up or Down Light
<a href="#">18W</a>	18W (2x9W)@Dia 86mm x H: 200mm x D136mm Up and Down Light
<a href="#">20W</a>	20W (2x10W)@Dia 86mm x H: 200mm x D136mm Up and Down Light
<a href="#">30W</a>	30W (2x15W)@Dia 105mm x H: 220mm x D165mm Up and Down Light
<a href="#">36W</a>	36W (2x18W)@Dia 105mm x H: 220mm x D165mm Up and Down Light



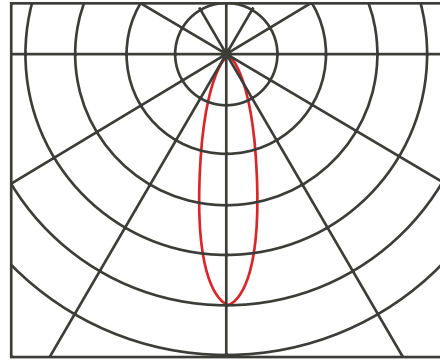
# BEAM ANGLE



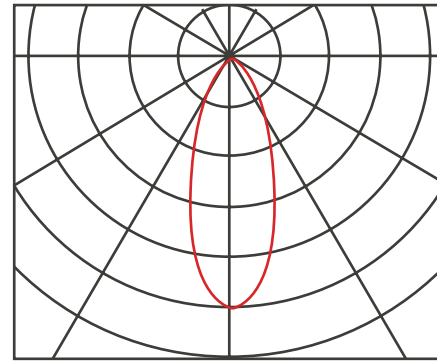
12°



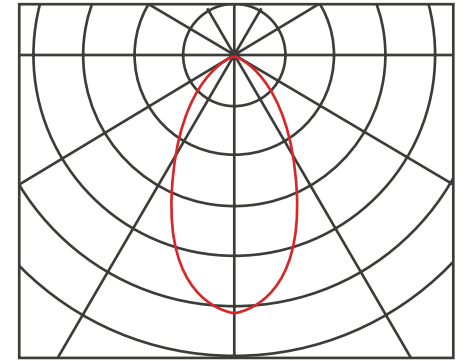
24°



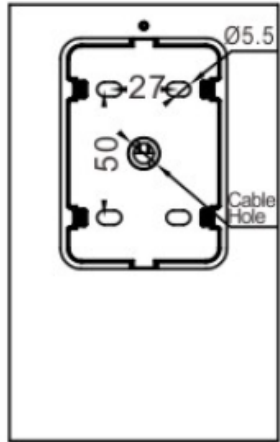
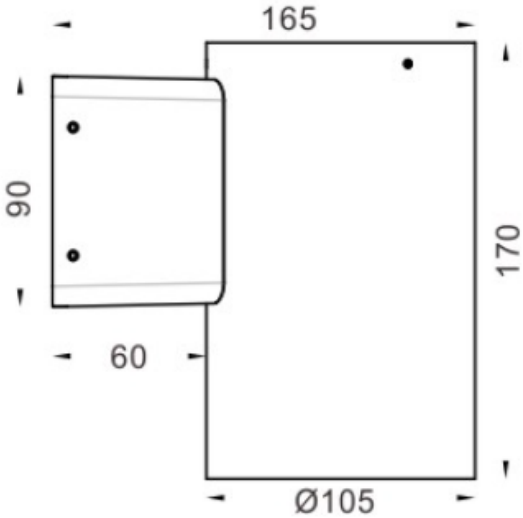
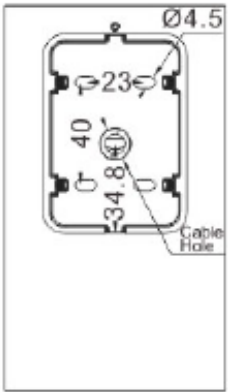
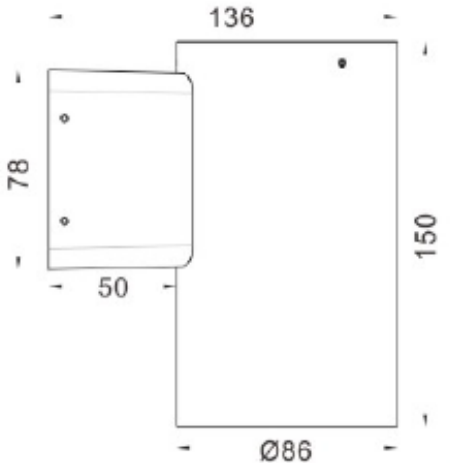
36°



60°

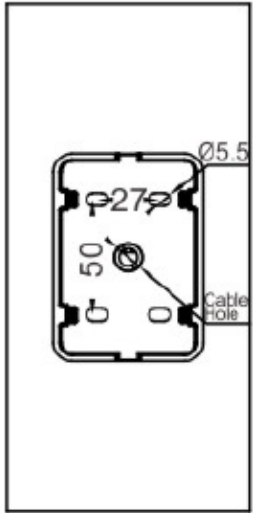
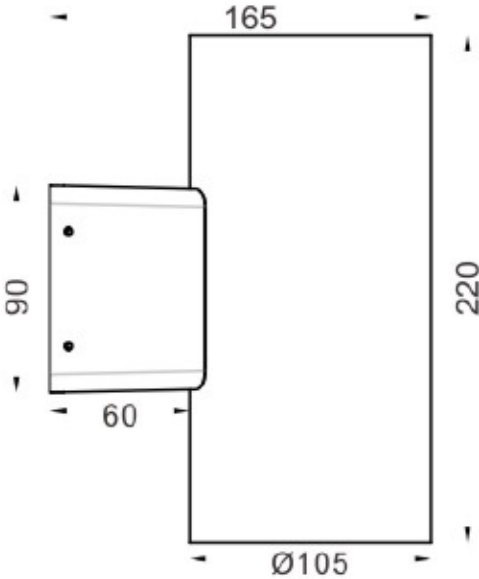
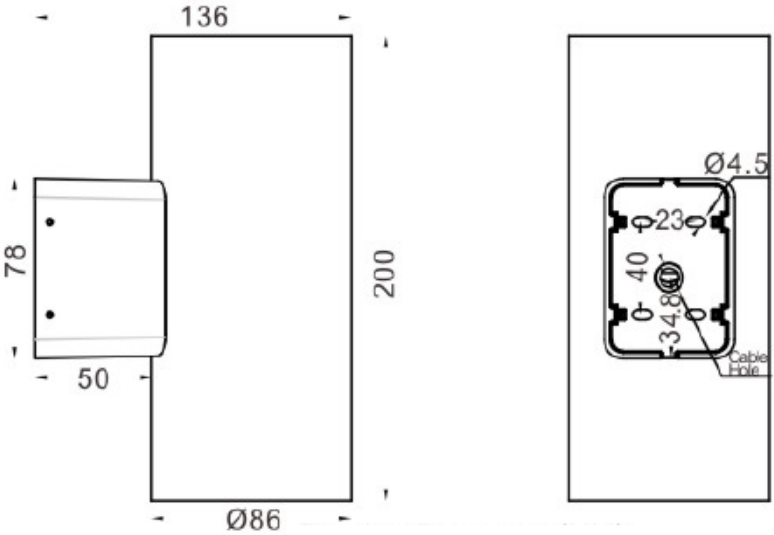


Technical Drawing  
(Up or Down Light)



Unit: mm

# Technical Drawing (Up and Down Light)



Unit: mm