

LATRU

25W Max IP67



- LED Surface Mounted or in-ground Linear Light with IP67 is outdoor fixture w.
- It is a remote controlled by remote driver with 0-10V, Dali, DMX
- This product suits perfectly to architectural contour lighting in buildings, ornamental light effects or integration in facades and furniture.
- It's as well a great alternative to urban furniture due to its IP67 protection rating, unique design:

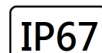
Technical Data

Luminaire Type/ 安裝方式

Surface Mounted or Recessed In-Ground Type / 表面安裝式或嵌入式地埋式

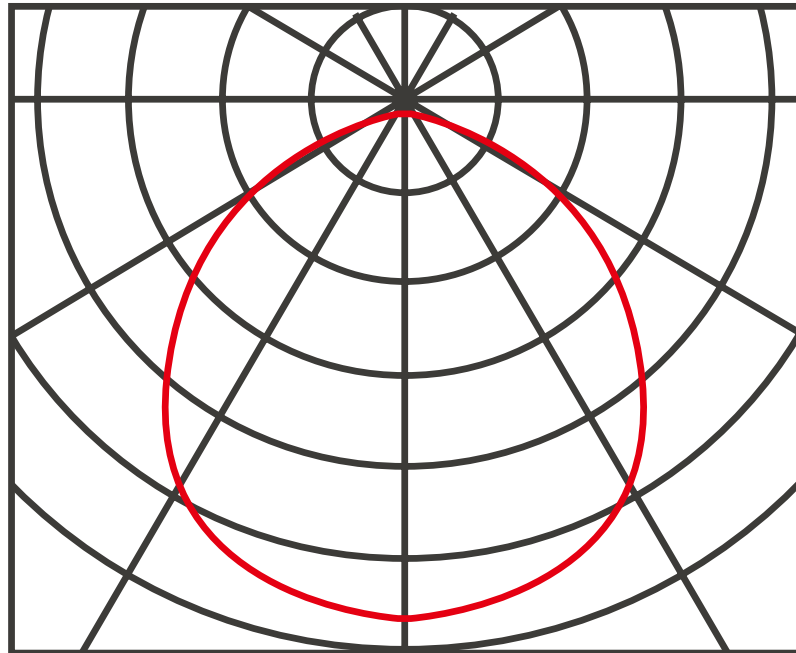
Power Consumption Max 燈具最大功率 Consumo de energía Max	<ul style="list-style-type: none"> • 12W • 14W • 25W 		
Input Voltage / 輸入電壓 Voltaje de entrada	DC24V		
LED Driver Type LED驅動款式 Tipo de controlador LED	Remote-type LED Driver--Refer to LED driver specification 請參閱LED驅動器規格 Consulte la especificación de controlador de LED 1. ON/OFF Switch AC220-240V 50/60HZ 2. 0/1 -10V Dimming Driver AC220-240V 50/60HZ 3. Dali Dimming Driver AC220-240V 50/60HZ		
Beam Angle/光束角ángulo de haz	110 °		
Light Source Brand/光源品牌 Fuente de luz de marca	OSRAM		
Photobiological safety-IEC 62471 / of Luminaire 光生物安全檢驗(IEC/EN 62471) 結果: Seguridad fotobiológica-IEC 62471	Risk Group 1; RG1 1 類危險 (低危) Grupo de riesgo 1		
Color Temperature -色溫 Temperatura del color Color -顏色-Color	2700K / 3000K / 4000K / 5000K / 6500K		
Lumen Maintenance Reported by TM-21 白光LED TM-21光衰壽命 Mantenimiento del lumen informado por TM-21	L70 > 50,000 hrs		
Color Rendering Index-顯色指數 Índice de reproducción cromática	<ul style="list-style-type: none"> • >80 • >90 		
MacAdam Ellipses Binning 麥克亞當橢圓分級 Mac Adam binning elipse	Standard Deviation Colour Matching < 3 SDCM 標準偏差配色 < 3 SDCM Coincidencia de color estándar Desviación < 3 SDCM		
Luminaire Efficacy-燈具效率 La eficacia de la luminaria	70 Lm/w @ 2700K 100 Lm/w@5000K	80 Lm/w @ 3000K 100 Lm/w@5700K	90 Lm/w@4000K 100 Lm/w@6500K
Luminaire Efficacy-燈具效率 La eficacia de la luminaria	<ul style="list-style-type: none"> • 140 Lm/w @ 2700K 160 Lm/w@5000K	140 Lm/w @ 3000K 160 Lm/w@5700K	150 Lm/w@4000K 160 Lm/w@6500K
Housing materials/外殼材料 Materiales de la carcasa	Aluminium Alloy and Opal Polycarbonate 鋁合金和乳白PC		
Housing Color/ 邊框殼顏色	Powder Coating Grey RAL 9006 White RAL 9003 Black RAL 9005 粉體塗裝: 灰色 RAL 9006 白色 RAL 9003 黑色 RAL 9005		
Ingress Protection/ 防護等級 Protección de ingreso	IP67		
Operating Temperature Range / 工作溫度範圍 Rango de temperatura de funcionamiento	-30 °C / +50 °C / -22 °F / +122 °F		
Operating Humidity -工作濕度 Humedad de funcionamiento	0~90%, non-condensing-不結霜 sin condensación		
Dimension/尺寸 Dimensión	• Refer to drawing 請參考圖紙		
Comply Testing Standard 符合測試標準 Cumplir el estándar de prueba	EN/ IEC 60598-1;EN/IEC 60598-2-1;EN/IEC 62471 (RG1) ;EN/IEC 62493;EN/IEC 62031;IEC TR 62778; IEC62262; IEC62722-1; IEC 62722-2-1 RoHS CIBSE TM5 or IES TM21-L70 EN 55015; EN/IEC 61547 ;EN/IEC 61000-3-2; EN/IEC 61347-1;EN/IEC 61347-2-13;EN/ IEC 6238		

Certification-認證-Certificación

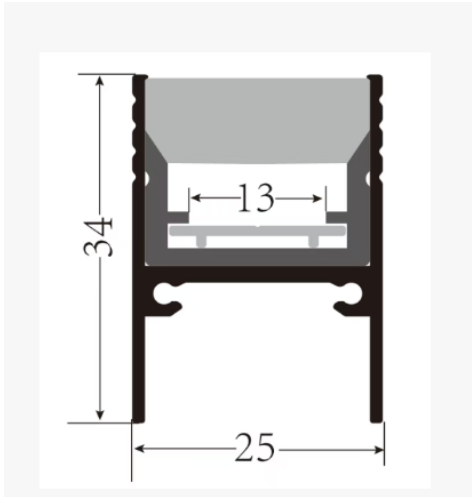
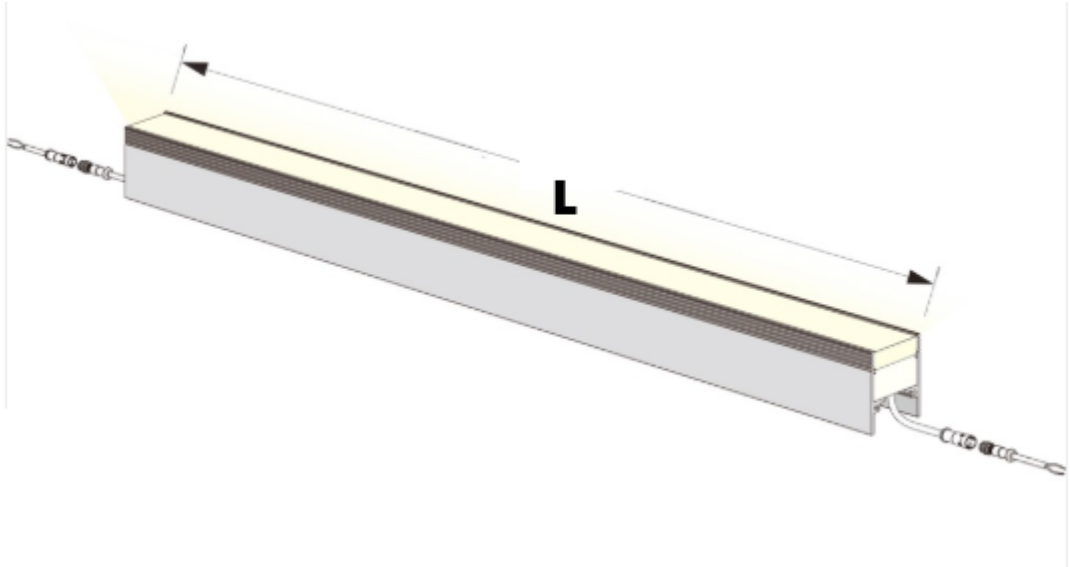


BEAM ANGLE

110°



Technical Drawing



L: 1000 x W: 25 xH: 34mm