

LONON PRO

Spot Center Application



Metal wire guard frame Projection









Opal Polycarbonate Diffuser



Clear Polycarbonate Diffuser

- 0.6mm steel housing with double parabolic Mirror-Silver aluminium reflector up to 95% reflectivity
- Optional Clear or Opal Polycarbonate diffuser
- Ball proof test for indoor sports halls application with strong metal wire guard frame Projection
- Integrated LED Control Gear 1-10V and DALI, and Zigbee wireless and Emergency Kit

Technical Data

Luminaire Type- 安裝方式 Tipo de luminaria	Surfacemounted Mount 明裝式燈具
Dimension-尺寸-Dimensión	<ul style="list-style-type: none"> • W:195 x L:1200 xH:105 mm ----2 pcs x 4feet LED T5 • W:360 x L:1200 xH:105 mm ----3 pcs x 4feet LED T5 • W:360 x L:1200 xH:105 mm ----4 pcs x 4feet LED T5
Input Voltage-輸入電壓-Voltaje de entrada	AC 220 -240V 50/60HZ
Power Consumption Max 燈具功率 Consumo de energía Max	80W Max Refer to Specification Code and LED Tube Power 80W Max 參考規格代碼和 LED 燈管功率 80 W máx. Consulte el código de especificación y la potencia del tubo LED
LED Driver Type LED驅動款式 Tipo de controlador LED	Integrated-type LED Driver for DC LED T5 / T8 Application--Refer to LED driver specification 請參閱LED驅動器規格Consulte la especificación de controlador de LED <ol style="list-style-type: none"> 1. ON/OFF Switch AC220-240V 50/60HZ for AC LED T5 / LED T8 2.1-10V Dimming Driver AC220-240V 50/60HZ for DC LED Tube 3. Dali 1-100% Dimming Driver AC220-240V 50/60HZ for DC LED Tube 4. DMX 1-100% Driver AC220-240V 50/60HZ for DC LED Tube 5. ZIGBEE Wireless Control (Remoted Driver) AC220-240V 50/60HZ for DC LED Tube 6. Emergency Backup >2 hours or >3 hours @ < 12 charger hours 應急電池/Copia de seguridad de emergencia 7. Microwave Sensor : 0-10V control / DALI / ZIBGEE 8. Daylight Sensor : 0-10V control / DALI / ZIBGEE
LED Driver Features Constant Current LED Driver: 驅動特性-恆流LED驅動器 Funciones del controlador de LED	POWER FACTOR : PF>0.90 or PF >0.95 TOTAL HARMONIC DISTORTION: THD< 20% Refer to LED Driver data sheet or LED Tube data sheet
Control Protocol-控制協議 Protocolo de Control	1-10V / Dali / DMX 512 / RDM / ZIGBEE Wireless Control
Beam Angle 光束角 ángulo de haz	Refer to LED T5 tube data sheet
Photobiological safety-IEC 62471 / of Luminaire 光生物安全檢驗(IEC/EN 62471) 結果: Seguridad fotobiológica-IEC 62471	<ul style="list-style-type: none"> • Low Risk Group 1 (RG1) Refer to LED T5 Specification • 低風險組1 (RG1) 參閱LED T5 規格 • Grupo de bajo riesgo 1 (RG1) Consulte la especificación LED T5
Housing materials-外殼材料 Materiales de la carcasa	Steel sheet with Mirror Aluminium reflector鋼板和 鏡面鋁反射器 Chapa de acero con reflector de aluminio
Trim Housing Color 框外殼顏色 color de la carcasa	White coating RAL 9016 白色塗層RAL 9016 Recubrimiento blancoRAL 9016
Accessories 配件 Accesorios	<ul style="list-style-type: none"> • Stronge wire guard frame with White Coating 白色 鋼絲防護框架 • Optional Clear or Opal Polycarbonate diffuser 可選透明或乳白色聚碳酸酯擴散器
Reflectivity of Reflector 反射器的反射率 Reflectividad del reflector	V Sharp type :95% reflectivity V 型: 95% 反射率 Tipo V Sharp: 95% de reflectividad
Operating Temperature Range / 工作溫度範圍 Rango de temperatura de funcionamiento	-30 °C / +50 °C
Operating Humidity -工作濕度 Humedad de funcionamiento	0~90%, non-condensing-不結霜 sin condensación
Ingress Protection-防護等級 Protección de ingreso	IP20
Comply Testing Standard 符合測試標準 Cumplir el estándar de prueba	Luminaires: IEC/ EN 60598-1 / EN 60598-2-1 / EN 62031 / EN 62493 LED Driver :IEC/EN 62471 / IEC 60598-2-22 / IEC 62031 /EN 55015 / EN 61000-3-2 / EN 61000-3-3 / EN 61547 LED T5 /T8 :IEC/EN 62471 / IEC 60598-2-22 / IEC 62031 /EN 55015 / EN 61000-3-2 / EN 61000-3-3 / EN 61547 / IEC 62262 / IEC 60529 / IEC TR62778 Luminaries Performance : IEC 62722-1 / IEC 62722-2-1 FSD regulation PPA 105A (4th Rev). RoHS
Certification-認證-Certificación	     

Project	Fixture#	Date
		Firm



Ordering Information

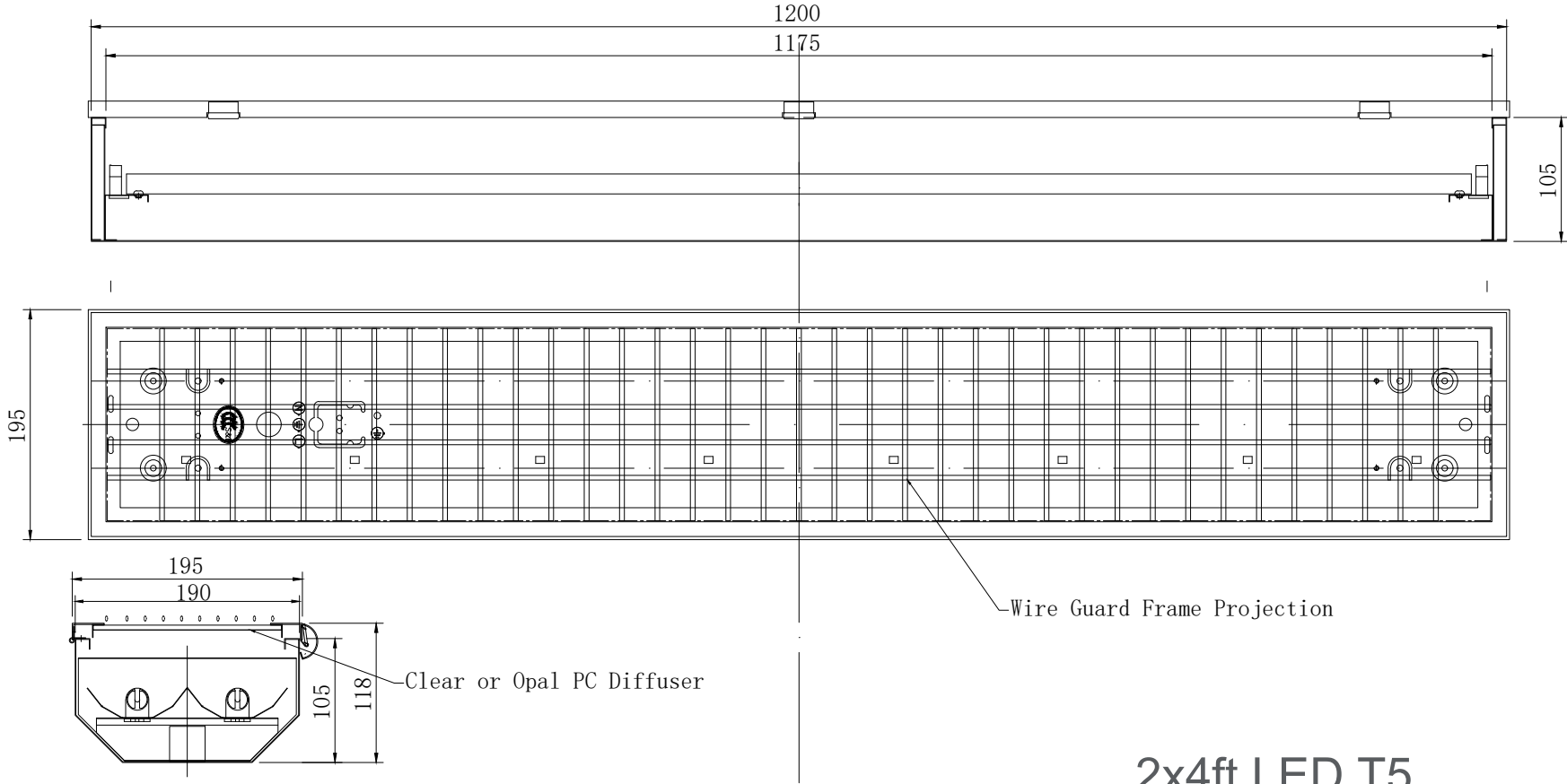
Choose the option that suits your need and write its corresponding code on the appropriate line to form the product code.

Example product code: [LONON-72W](#)

LONON - _____
POWER

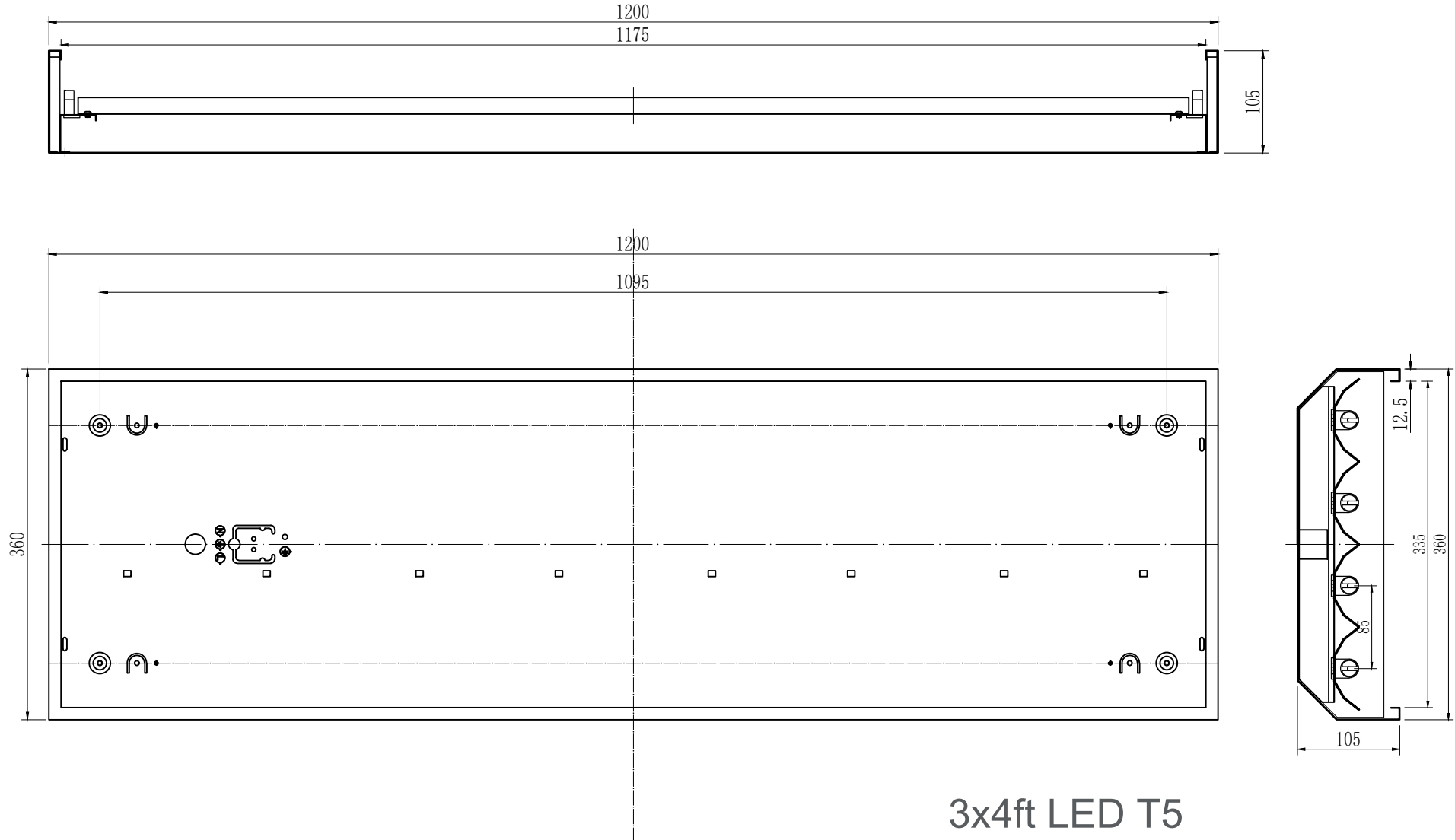
POWER	
Code	Description
30W	2pcs x 4feet 15W LED T5
32W	2pcs x 4feet 16W LED T5
40W	2pcs x 4feet 20W LED T5
54W	3pcs x 4feet 18W LED T5
60W	3pcs x 4feet 20W LED T5
72W	4pcs x 4feet 18W LED T5
80W	4pcs x 4feet 20W LED T5

Technical Drawing



2x4ft LED T5

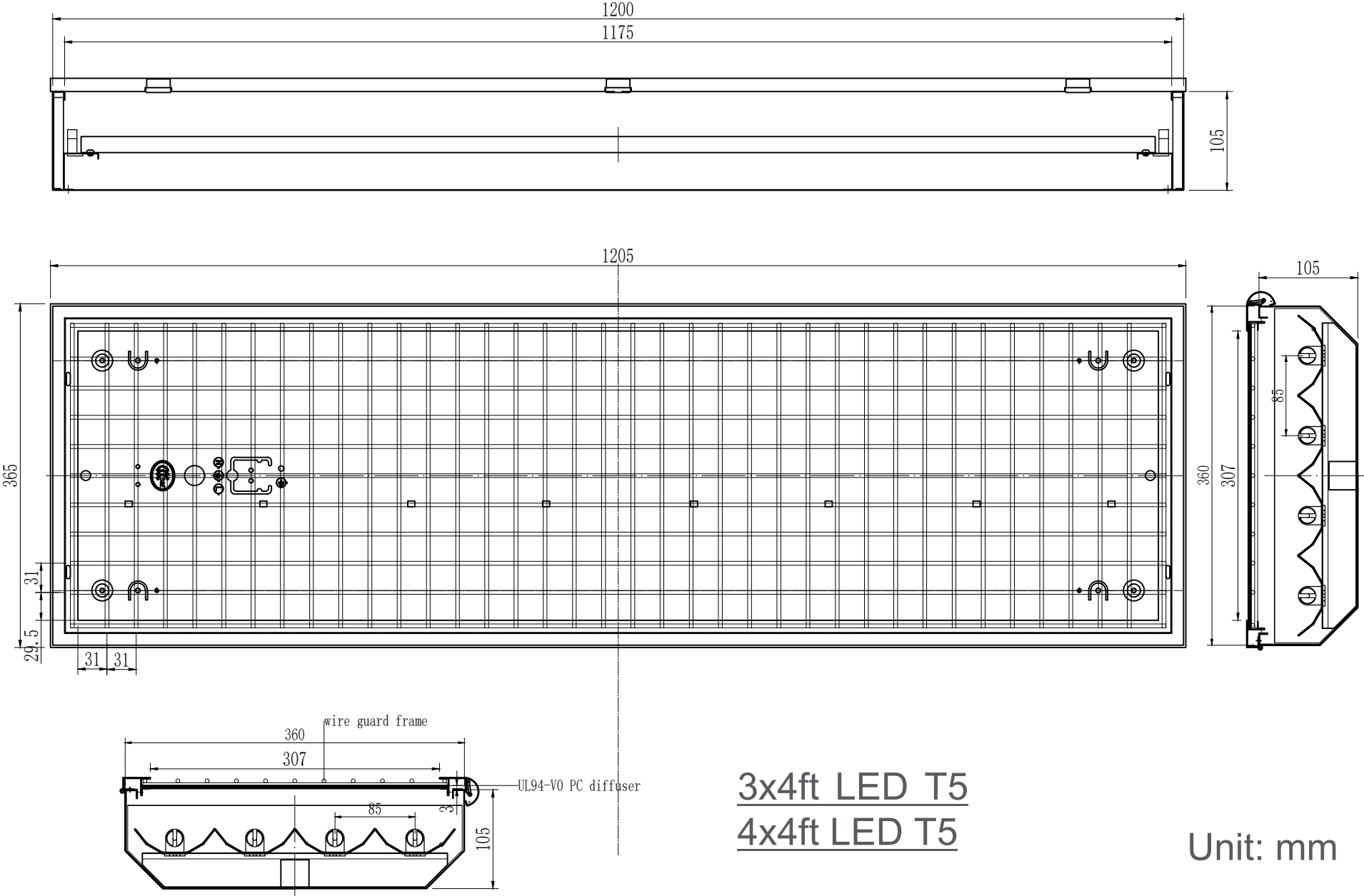
Technical Drawing



3x4ft LED T5
4x4ft LED T5

Unit: mm

Technical Drawing



3x4ft LED T5
4x4ft LED T5

Unit: mm