

PACIFIC- X-12NM

6-12NM-Selfcontained Marine Larnern



User selectable power and flash character settings via DM Bluetooth-Smart App (Android Base)

Max Distance up to 12nm

It can be widely used in inland rivers, Coastal and harbor light buoys.

This series of lamps is composed of LED point light source, lens, solar panel and weather-resistant material base.

The lamp can easily realize the remote measurement and control of the lantern through the NB-IoT or 4G communication method withb DIMON Marine Monitoring system App.

The GPS high-precision clock is used to realize the synchronous flash function;

the maximum range is 12 nautical miles, the vertical divergence angle is 2.5 degrees, and the horizontal divergence angle is 360 degrees.

Technical Data

Features 特性

- Long Life -LED Light Source LED
- 恆定電流驅動，光電轉換效率高，發光穩定，壽命長
- Optional GPS synchronisation module
- GNSS同步閃功能(GPS+北斗)，日光閾值可設定
- 15 levels of luminous intensity adjustment to adapt to different range requirements.
- 15檔發光強度調節，適應不同射程需求
- Available in all IALA approved colours 提供所有IALA批准的顏色
- 256 user selectable flash characters and selectable daylight sensor
- 256種燈具可供選擇
- User selectable power and flash character settings via BLUE-Tooth 5.0 up to 40meter
- 藍牙5.0遙測遙控功能，有效距離40米
- Optional GNSS synchronized-control flash function by GPS or BDS 支援北斗短報文
- Optional 4G wireless DIMON Monitoring system for comprehensive fault alarm and status monitoring.
- 遠端遙測遙控，全面的故障警報和狀態監控
- Ingress Protection: IP67 所有零件耐腐蝕抗老化，防護等級IP67

Selectable Range 射程 (T=0.74)	6-15 nautical miles selectable 15級可調，透過網路遠端設定最大15海浬(T=0.74)
Available Colours 燈具顏色	<ul style="list-style-type: none"> • Red 紅 • Green 綠 • Yellow 黃 • White 白
Visibility 水平發散角	360° horizon (omnidirectional)360° 360度全向
Vertical Divergence 垂直發散角	2.5° >2.5度
Flash Codes 燈質	Up to 256 codes IALA , field selectable IALA 256種燈具可供選擇
Synchronisation 同步	GPS-Global Positioning System + BDS-BeiDou Navigation Satellite GPS 定位 GNSS授時(GPS+北斗)
Daylight (Lux) Sensor 日光閾值	Default 300Lux (100~1000Lux adjustable) 預設300Lux,100-1000Lux可調
POWER 動態功耗 LED Lamp Input Voltage 工作電壓	40W DC10-30V
Control Protocol Selection: 控制協議選擇:	<ul style="list-style-type: none"> • BLUE Tooth 5.0 up to 50meter for IALA Flasing Code, Lux Sensor and Distance setting. Setting and Monitoring by DM Bluetooth -Smart App Setting • 藍牙 5.0, 有效距離可達 50 米, 支援 IALA 閃光碼、照度感測器和距離設定。可透過 DM 藍牙智慧應用程式進行設定和監控。 • AIS Automatic Identification System AIS自動辨識系統 • 4G Wireless control system: Overvoltage and Undervoltage, Fault, Position offset report by PC IOT Software • 4G 無線控制系統: 過壓/欠壓、故障、位置偏移報告, 可透過 PC 物聯網軟體取得。 • BDS-BeiDou Navigation Satellite • 北斗導航衛星系統 無線回饋: 過壓/欠壓、故障、位置偏移報告, 可透過 PC 物聯網軟體取得。
Net Weight 淨重	18KG
Dimension 尺寸	Dia 320mm x H:305mm
Operating Temperature Range 工作溫度	-30° to +60°C
Ingress Protection 防護等級	IP 67
Housing materials 燈具材料	Marine Grade Almuimin and UV resistant molded polycarbonate 船用級鋁材和抗紫外線模壓聚碳酸酯
Certification	IP67

Project	Fixture#	Date
		Firm



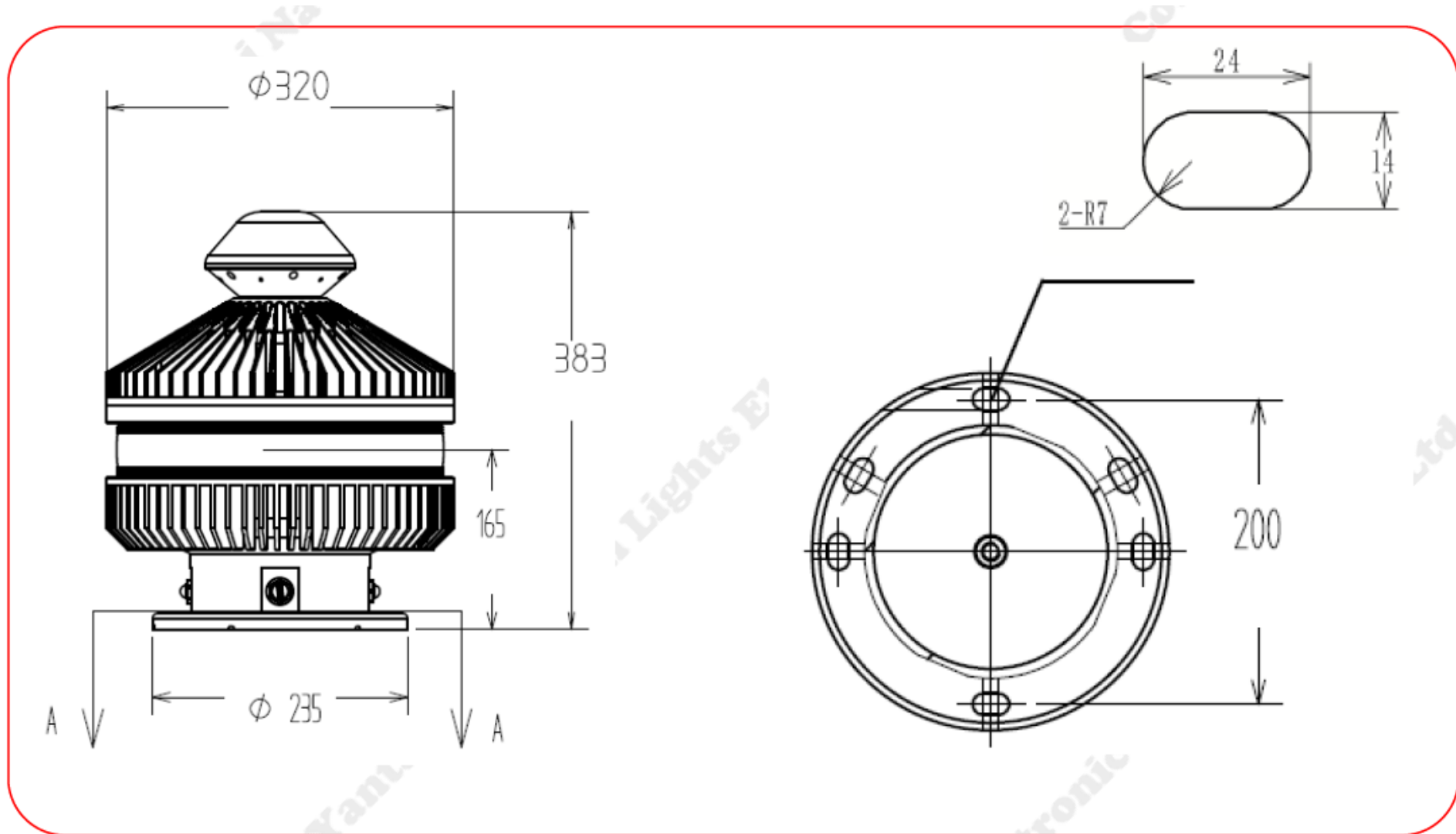
Ordering Information

Choose the option that suits your need and write its corresponding code on the appropriate line to form the product code.

Example product code: [PACIFIC-X-12NM-R-GPS-B-4G](#)

PACIFIC-X-12NM - - _____ - _____
Color Synchronisation

Color		Synchronisation	
Code	Description	Code	Description
R	Red	GPS-B-4G	GPS & Bluetooth & 4G network GPS和藍牙和4G網絡
G	Green	GPS-BSD-B	GPS & BDS-BeiDou Navigation Satellite & Bluetooth GPS及北斗導航衛星及藍牙
Y	Yellow	GPS-AIS-B	Automatic Identification System GPS & Bluetooth AIS和藍牙
W	White		



Unit: mm