

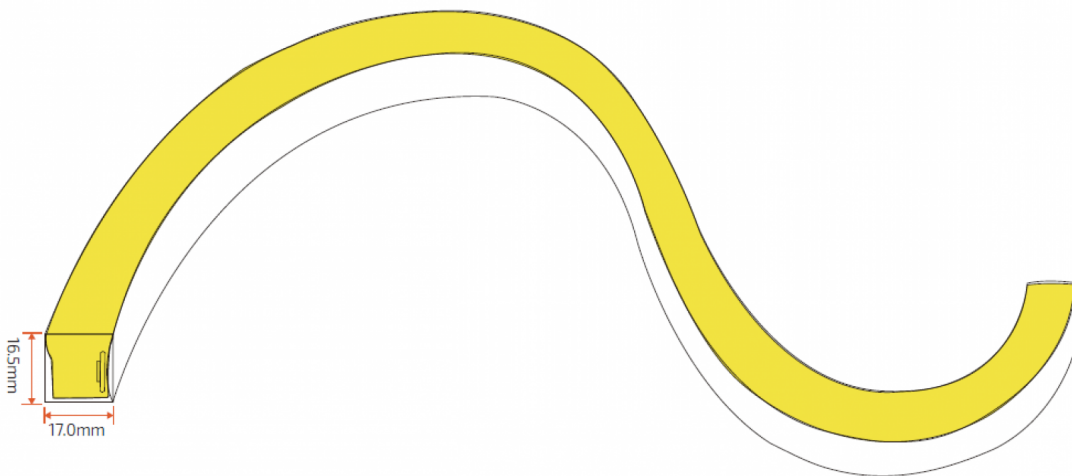
**SECO**



**ZigBee**<sup>®</sup>



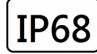








NEON W:17xH:16.5mm 10W/m IP68



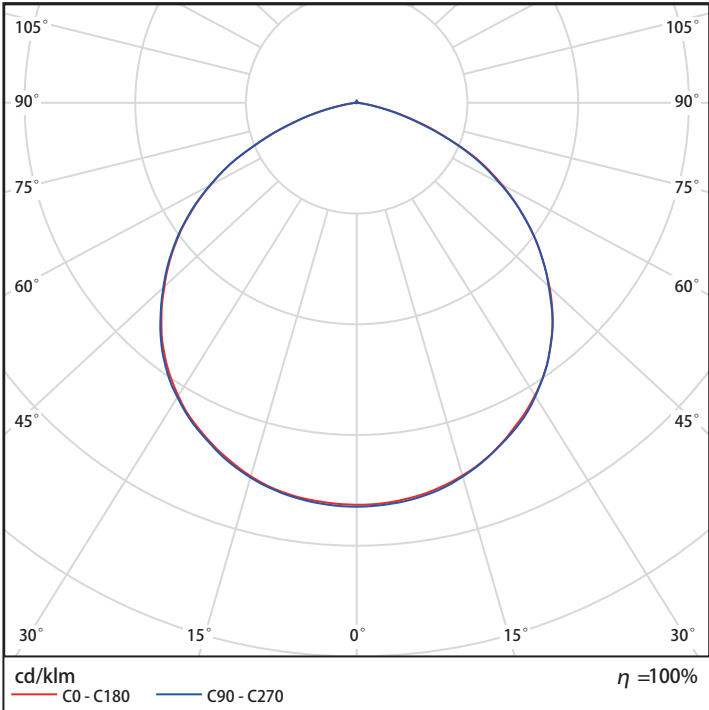
- FLEXIBLE DMX LED NEON LIGHT--SIDE Bendable
- Luminous surface Material: Flat shape Anti-UV diffused Ivory White PVC. Continuous and uniform illumination, no LED dot or dark spot
- First-class eco-friendly UV-resistant PVC material
- Connect with DMX controller
- 5m power on one end, 10m power on both ends
- Uniform and even light output
- Full encapsulated with IP68 Level

## Technical Data

Luminaire Type/ 安裝方式 Tipo de luminaria	Surface Mounted Type 明裝式燈具 Superficie Tipo Montado
Power Consumption Max 燈具最大功率 Consumo de energía Max	10W / Meter 120 pcs Leds/meter Min. cutting length: 100mm 12 pcs leds
LED Driver Type LED驅動款式 Tipo de controlador LED	Remote-type LED Driver--Refer to LED driver specification 請參閱LED驅動器規格 Consulte la especificación de controlador de LED 1. ON/OFF Switch AC220-240V 50/60HZ 2. ELV Dimming Driver (5-100%) AC 100-120V 50/60Hz or AC 200-240V 50/60HZ 3. 0-10V Dimming Driver AC100-240V 50/60HZ 4. Dali Dimming Driver AC100-240V 50/60HZ 5. DMX Driver AC100-240V 50/60HZ (Dimming range from 0-100%) 6. RDM Driver AC100-240V 50/60HZ
Control Protocol-控制協議 Protocolo de Control	0-10V / Dali / DMX 512 / RDM / ZIGBEE Wireless Control @ MONO @ Remote-type LED Driver
Input Voltage / 輸入電壓 / Voltaje de entrada	DC24V
Color Temperature -色溫 Temperatura del color	2700K / 3000K / 3500K / 4000K / 5000K / 6500K
Color Rendering Index-顯色指數 Índice de reproducción cromática	> 80
"Lumen Maintenance LM-80 Reported by TM-21"	70 000 Hours L70 25°C , 50 000 Hours L70 50°C
Beam Angle/光束角/ángulo de haz	120°
Light Source Brand/光源品牌 Fuente de luz de marca	Taiwan Everlight SMD
LED Life/LED壽命 La vida del LED	>100,000 hours
MacAdam Ellipses Binning 麥克亞當橢圓分級 Mac Adam binning ellipse	Standard Deviation Colour Matching < 3 SDCM 標準偏差配色 < 3 SDCM Coincidencia de color estándar Desviación < 3 SDCM
Luminaire Efficacy-燈具效率 La eficacia de la luminaria	• 35Lm/w(2700K), 35 Lm/w(3000K), 40 Lm/w(3500K), • 45Lm/w(4000K), 45 Lm/w(5000K), 50Lm/w(6500K),
Housing materials/外殼材料 Materiales de la carcasa	Eco PVC
Bending Direction 可彎曲方向 Dirección de flexión	Horizontal Bending @ Top Light up 水平彎曲@向上發光 Doblado horizontal en la parte superior iluminado
Min. Bending 燈具最小彎曲度 Flexión mínima	Dia 120 mm
Max Length Feed 單組最大連接長度 Alimentación de longitud máx.	• 5m @ Single Feed 單端通電 • 10m @ Double Feed 兩端通
Operating Temperature Range / 工作溫度範圍 Rango de temperatura de función ambiente	-30 °C / +50 °C
Operating Humidity -工作濕度 Humedad de funcionamiento	0~90%, non-condensing-不結霜 sin condensación
Ingress Protection/ 防護等級 Protección de ingreso	IP68 - (IEC 60529)
Dimension/尺寸/Dimensión	W: 17mm x H: 16.5mm
Comply Testing Standard 符合測試標準 Cumplir el estándar de prueba	LED Luminaries: LVD: IEC/EN 60598-1;EN / IEC/EN 60598-2-1;IEC62471;IEC/EN 62031; IEC/EN 62493; IEC/EN 62471 (Risk Group 1) LED Driver: IEC/EN 61347-1; IEC/EN 61347-2-13; IEC/EN 62384; IEC/EN 61000-3-2; IEC/EN 61000-3-3;IEC/EN61574;EN 55015 ; IEC /EN 62384
Certification-認證-Certificación	        

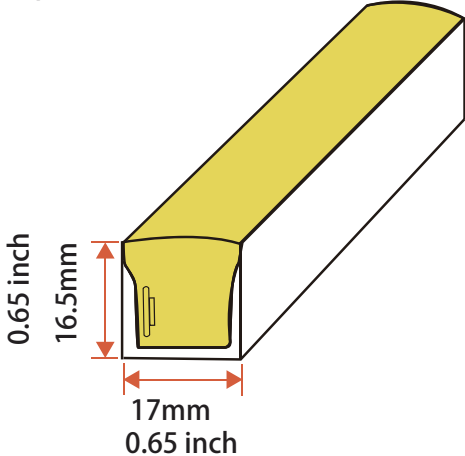


# BEAM ANGLE

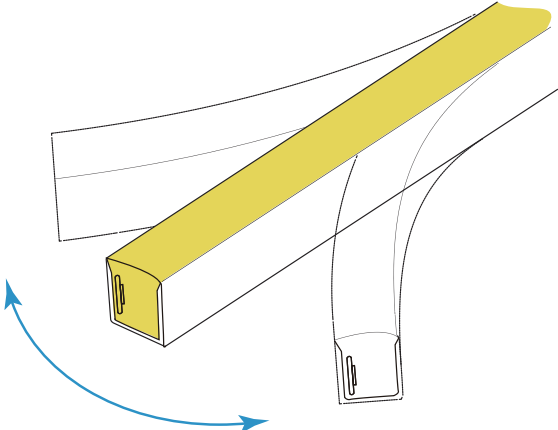


# Technical Drawing

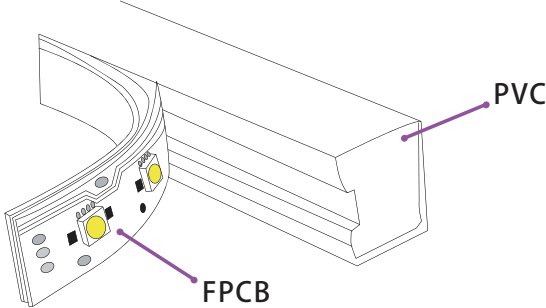
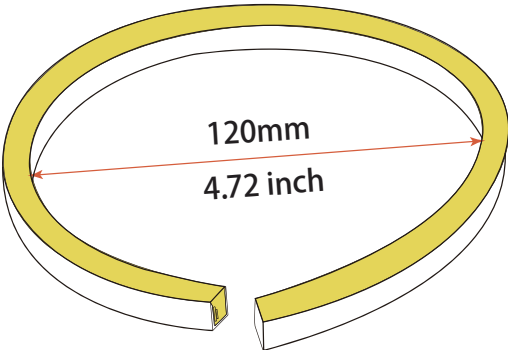
Light profile



Bending direction

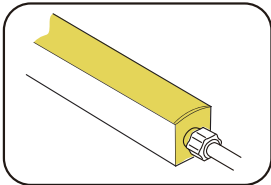


Min. bending diameter

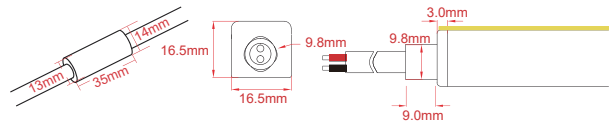


Unit: mm

Mold injection connector

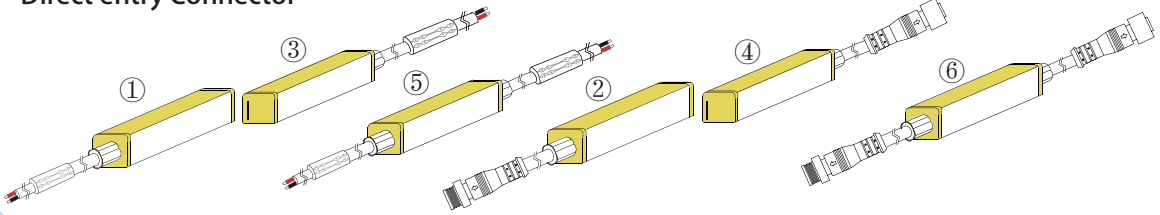


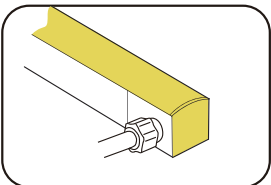
- ①
- ②
- ③
- ④
- ⑤
- ⑥



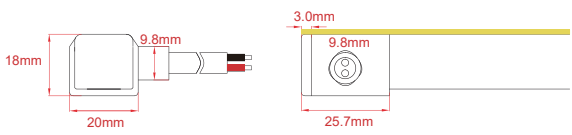
13mm, 35mm, 14mm, 16.5mm, 16.5mm, 9.8mm, 9.8mm, 3.0mm, 9.0mm

**Direct entry Connector**



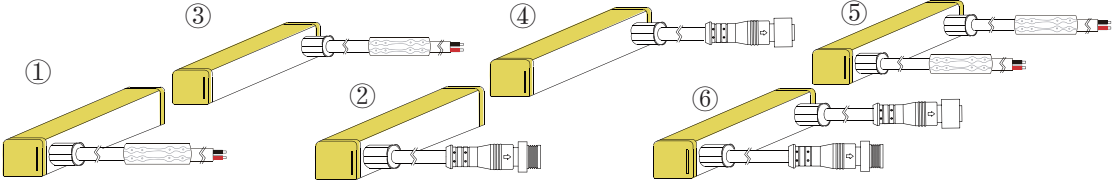


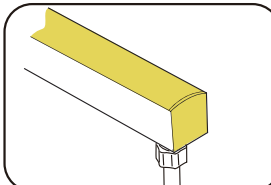
- ①
- ②
- ③
- ④
- ⑤
- ⑥



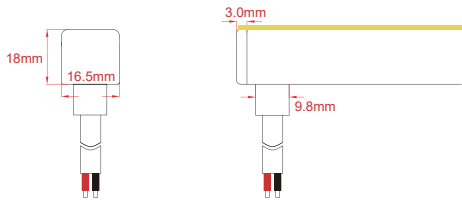
18mm, 20mm, 9.8mm, 3.0mm, 9.8mm, 25.7mm

**Side entry Connector**



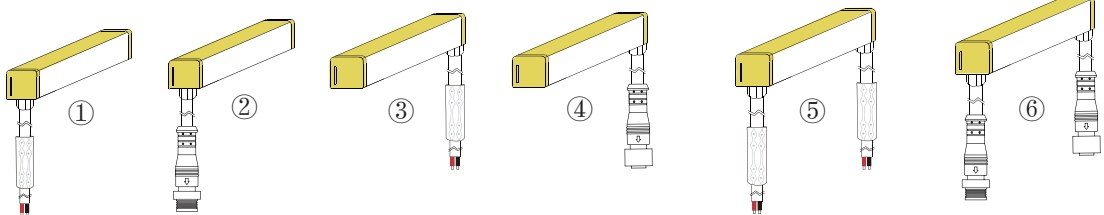


- ①
- ②
- ③
- ④
- ⑤
- ⑥

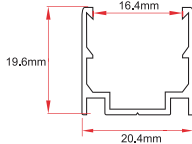
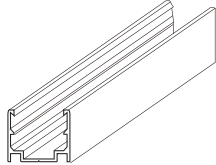
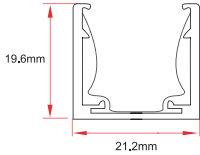
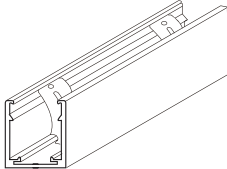
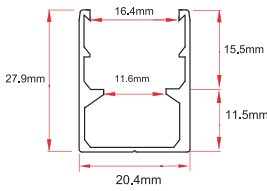
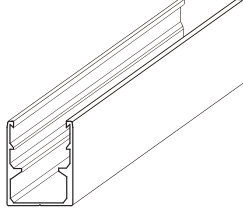
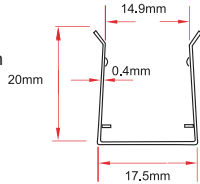
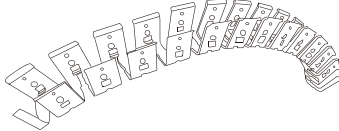
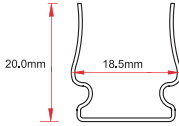
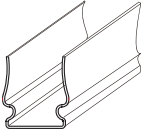


18mm, 16.5mm, 3.0mm, 9.8mm

**Bottom entry Connector**



## Mounting Channel

Model	Description	Dimension	Drawing
A1	Length option: 1m, 2m, 35mm Material: Aluminum alloy Optional color: AS/AB/PW Type: Standard		
A2	Length option: 1m, 2m, 35mm Material: Aluminum alloy Optional color: AS/AB/PW Type: Anti-drop for upside down installation		
A3	Length option: 1m, 2m, 35mm Material: Aluminum alloy Optional color: AS/AB/PW Type: Cable hiding		
A4	Length option: 10cm, 30cm, 50cm, 100cm Material: Stainless steel Optional color: Polished Type: Flexible		
A5	Length option: 5cm Material: Stainless steel Optional color: Natural color Type: 316 stainless steel		
A6	Use for mounting channel for angle adjustment	