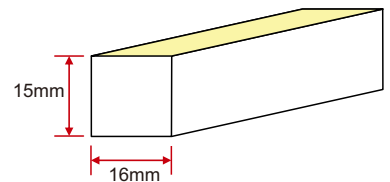
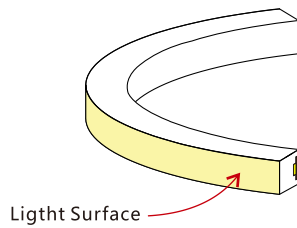
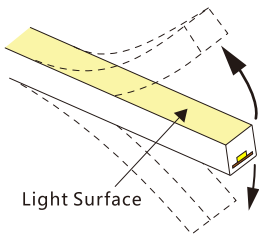


SECO-PRO

W:16xH:15mm 15W Max IP68




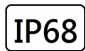


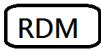



- Front emitting for homogeneous, soft & dot-free lighting
- Luminous surface Material: Flat shape Anti-UV diffused Ivory White PVC under ISO4892-3 Test
- First-class eco-friendly UV-resistant PVC material under ISO4892-3 Test
- Full encapsulated with IP68 Level
- Vertical Top Bending.

SECO-PRO

W:16xH:15mm 15W Max IP68

DIMON
TECHNOLOGY

Technical Data

Luminaire Type/ 安裝方式/ Tipo de luminaria Min. Cutting LED/Min. Cutting Length	Surface Mounted Type 明裝式燈具 Superficie Tipo Montado 8LEDs / 25mm
Power Consumption Max 燈具最大功率 Consumo de energía Máx.	• 5W / Meter 120 Leds/meter • 10W / Meter 120 Leds/meter • 15W / Meter 120 Leds/meter L
LED Driver Type LED驅動款式 Tipo de controlador LED	Remote-type LED Driver--Refer to LED driver specification 請參閱LED驅動器規格 Consulte la especificación de controlador de LED 1. ON/OFF Switch AC220-240V 50/60HZ 3. 0-10V Dimming Driver AC220-240V 50/60HZ 4. Dali Dimming Driver AC220-240V 50/60HZ (Dimming range from 0-100%) 5. DMX Driver AC220-240V 50/60HZ (Dimming range from 0-100%) 6. RDM Driver AC220-240V 50/60HZ (Dimming range from 0-100%)
Control Protocol-控制協議 Protocolo de Control	1-10V / Dali / DMX 512
Input Voltage / 輸入電壓 Voltaje de entrada	DC24V
Color / Color Temperature 顏色或色溫 Color / Temperatura de color	• 2000K / 2400K / 2700K / 3000K / 4000K / 5000K / 6500K • RED 620-630nm • GREEN 520-530nm • BLUE 465-475nm • AMBER 585-595nm • RGB • RGBW • Tunable White (2000K + 6000K)
Color Rendering Index-顯色指數 Índice de reproducción cromática	> 80 @ Mono White >90 @ Mono White
"Lumen Maintenance LM-80 Reported by TM-21"	L70(10k) > 63,500 hrs
Beam Angle/光東角 ángulo de haz	120°
Light Source Brand/光源品牌 Fuente de luz de marca	SMD 2835 LED
LED Life/LED壽命/La vida del LED	>100,000 hours
MacAdam Ellipses Binning 麥克亞當橢圓分級 Mac Adam binning ellipse	Standard Deviation Colour Matching < 3 SDCM 標準偏差配色 < 3 SDCM Coincidencia de color estándar Desviación < 3 SDCM
Luminaire Efficacy-燈具效率 La eficacia de la luminaria	75 Lm/w(2000K & 2400K & 2700K & (3000K) 85Lm/w(4000K) 90 Lm/w (5000K / 6500K) 28 Lm/w @ Red 620-630nm 12 Lm/w @ Blue 465-475nm 70 Lm/w @ Green 520-530nm 25Lm/w @ Amber 585-595nm RGB Color : 25Lm/w @ Full Loading RGBW Color : 30Lm/w @ Full Loading Tunable White : 30lm/w @ Full Loading
Housing materials/外殼材料 Materiales de la carcasa	Eco PVC (Polyvinyl chloride) 環保聚氯乙烯 Cloruro de polivinilo ECO
Bending Direction 可彎曲方向 Dirección de flexión	Vertical Bending @ Top Light up 垂直彎曲@向上發光 Flexión vertical en la parte superior iluminada
Min. Bending 燈具最小彎曲度 Flexión mínima	Dia 300 mm
Max Length Feed 單組最大連接長度 Alimentación de longitud máx.	• 5W Mono Color : 20m @ Single Feed 單端通電 40 m @ Double Feed 兩端通 • 5W@RGB & RGBW: 5m @ Single Feed 單端通電 10 m @ Double Feed 兩端通 • 10W Mono Color : 15m @ Single Feed 單端通電 30m @ Double Feed 兩端通 • 10W@RGB & RGBW: 5m @ Single Feed 單端通電 10 m @ Double Feed 兩端通 • 15W Mono Color : 12m @ Single Feed 單端通電 24m @ Double Feed 兩端通 • 15W@RGB & RGBW: 5m @ Single Feed 單端通電 10 m @ Double Feed 兩端通
Operating Temperature Range / 工作溫度範圍 Rango de temperatura de función ambiente	-30 °C / +50 °C
Operating Humidity -工作濕度 Humedad de funcionamiento	0~90%, non-condensing-不結霜 sin condensación
Ingress Protection/ 防護等級 Protección de ingreso	IP68 - (IEC 60529)
Weight/m 重量/米 Peso/m	315g / meter
Dimension/尺寸/Dimensión	W: 16 x H: 15mm
Comply Testing Standard 符合測試標準 Cumplir el estándar de prueba	LED Luminaries: LVD: IEC/EN 60598-1;EN / IEC/EN 60598-2-1;IEC62471;IEC/EN 62031; IEC/EN 62493 ; IEC/EN 62471 (Risk Group 1) LED Driver: IEC/EN 61347-1; IEC/EN 61347-2-13; IEC/EN 62384; IEC/EN 61000-3-2; IEC/EN 61000-3-3;IEC/EN61574;EN 55015 ; IEC /EN 62384
Certification-認證-Certificación	       

Project	Fixture#	Date
		Firm

Ordering Information

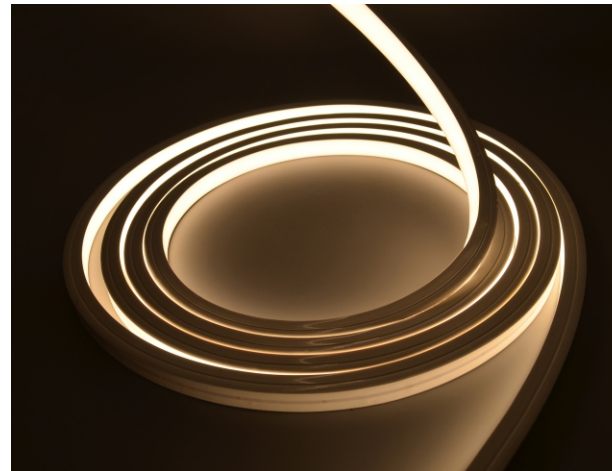
Choose the option that suits your need and write its corresponding code on the appropriate line to form the product code.








Example product code: [SECO-10W](#)

SECO-- -

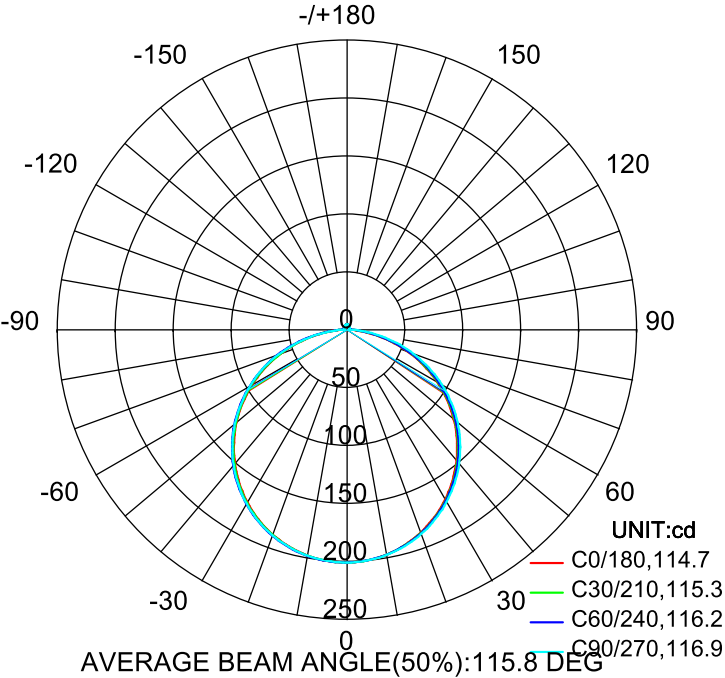
Power Consumption

Power Consumption	
Code	Description
5W	5W / Meter
10W	10W / Meter
15W	15W / Meter

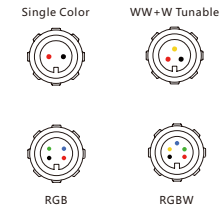
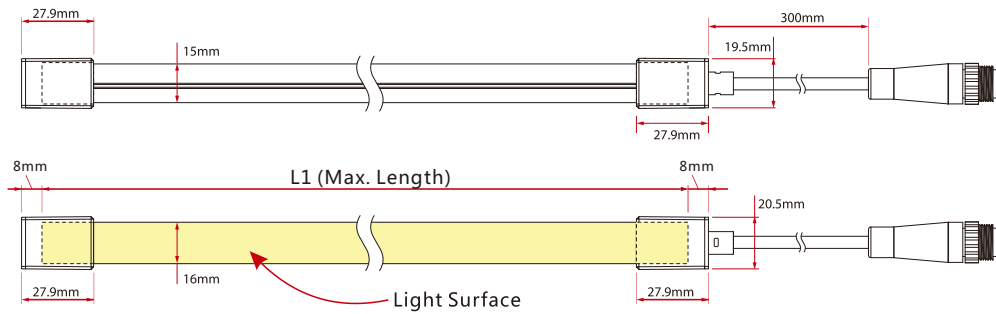


- 
**3-Step
MacAdam**
- 
**Bending
Diameter**
D: 300mm
- 
**Flame
Resistant**
- 
**UV
Resistant**
- 
**Solvents
Resistant**
- 
**Saltwater
Resistant**
- 
**IK08
Protection**

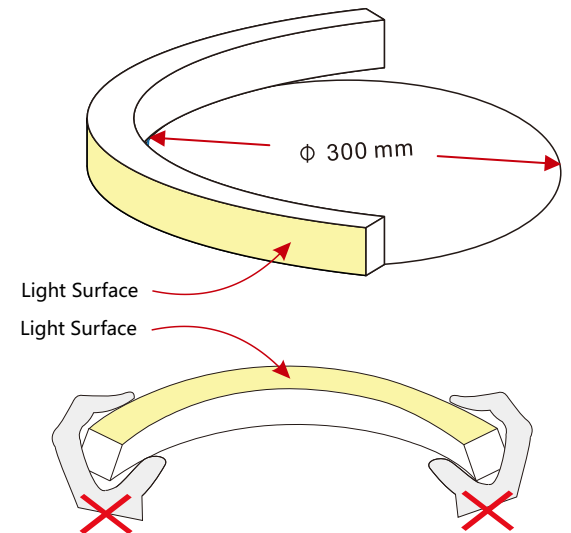
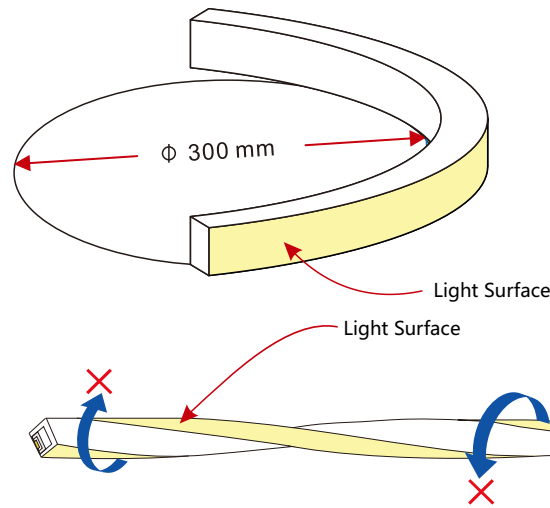
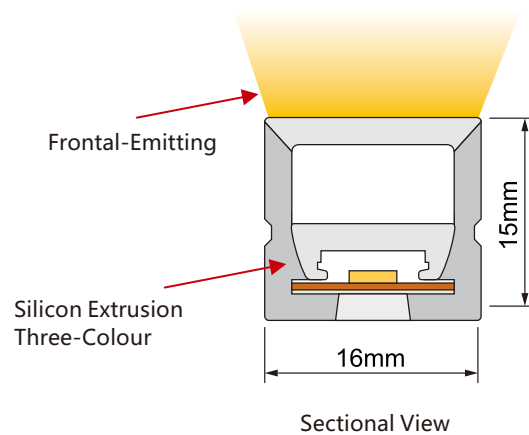
BEAM ANGLE



Technical Drawing



Unit: mm



X Do not twist this LED Neon Flex! Otherwise LED & Resistor & internal circuit will be broken.

X Do not bending the LED Neon Flex horizontally Otherwise LED & Resistor will be broken.

Accessory

Connectors & Aluminum Profile

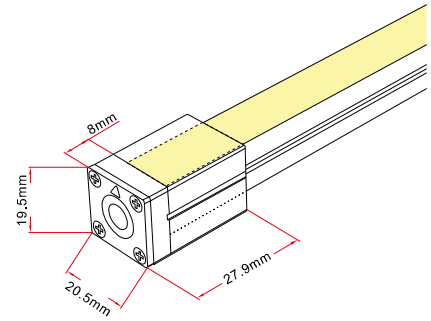
1.1 Transparent PC Fast End Cap



Fast End Cap

Termination Protection of the light, IP67 DIY connector

Transparent PC Mounting piece *1
Transparent PC Stopper *1
Transparent PC Anti-skidding Clip *1
Waterproof Rubber Gasket *1
Transparent PC Pads *1
Metal Blank End *1
Screws *4



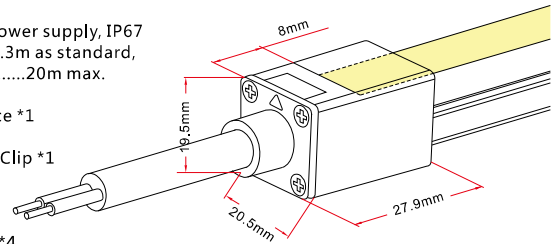
1.2 Transparent PC Fast Connector



Fast Tail Connector

Connecting the neon flex to power supply, IP67 DIY connector, cable length: 0.3m as standard, Available Customized in 0.5m.....20m max.

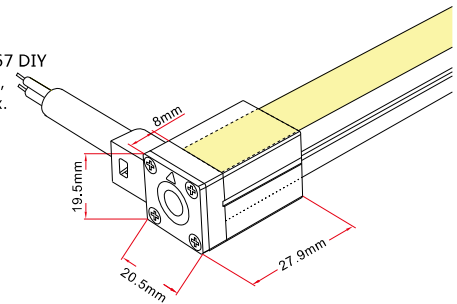
Transparent PC Mounting piece *1
Transparent PC Stopper *1
Transparent PC Anti-skidding Clip *1
Waterproof Rubber Gasket *1
Transparent PC Pads *1
Metal Blank End *1
Tail Connector *1 Screws *4



Fast Side-edge Connector

Connecting neon flex to power supply, IP67 DIY connector, cable length: 0.3m as standard, Available Customized in 0.5m.....20m max.

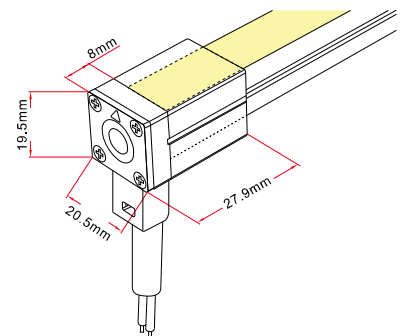
Transparent PC Mounting piece *1
Transparent PC Stopper *1
Transparent PC Anti-skidding Clip *1
Waterproof Rubber Gasket *1
Transparent PC Pads *1
Metal Blank End *1
Side-edge Connector *1 Screws *4



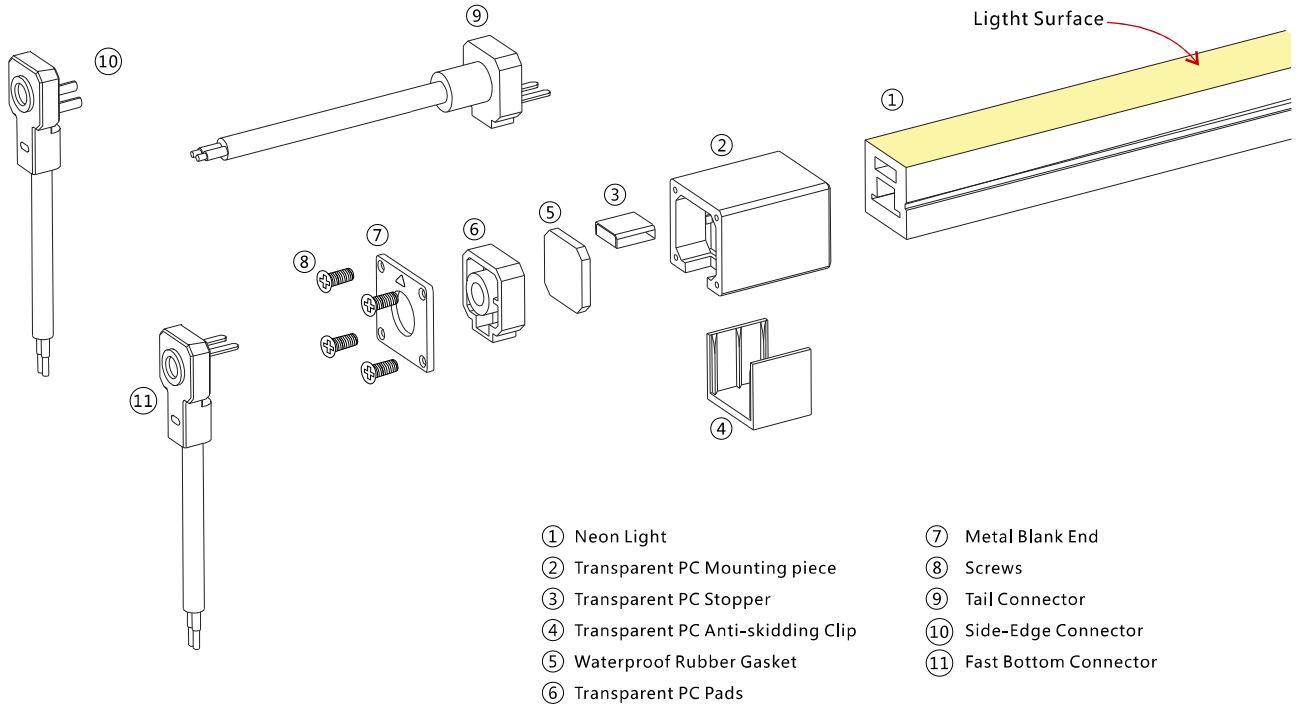
Fast Bottom Connector

Connecting neon flex to power supply, IP67 DIY connector, cable length: 0.3m as standard, Available Customized in 0.5m.....20m max.

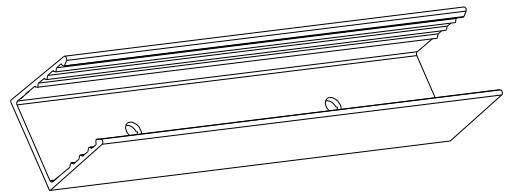
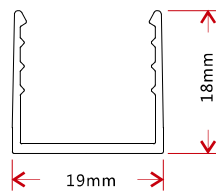
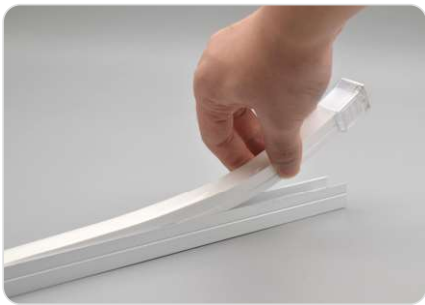
Transparent PC Mounting piece *1
Transparent PC Stopper *1
Transparent PC Anti-skidding Clip *1
Waterproof Rubber Gasket *1
Transparent PC Pads *1
Metal Blank End *1
Bottom Connector *1 Screws *4



1.3 Exploded Drawing



1.4 Aluminum Profile

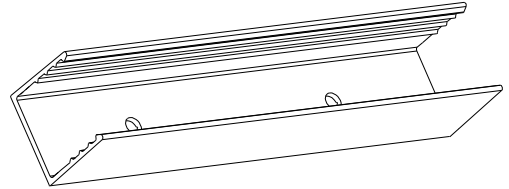
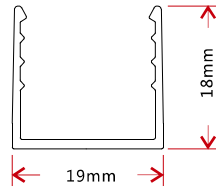
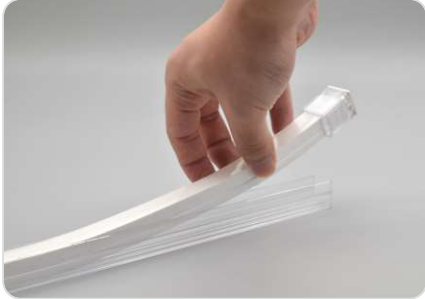


Code	W*H(mm)	Standard Length(mm)	Matching Neon Light Length(mm)	Screw Hole (mm)	Hole Number
DM-N1615-005	19*18	455	500	Φ3.5	2
		955	1000	Φ3.5	3
		1455	1500	Φ3.5	4
		1955	2000	Φ3.5	5

Notes:

1. Aluminum Profiles's raw material is 6063 AL, silvery colour and anodizing as stadard, white/black paint available;
2. These are the AL Profile recommended cutting length, in order to matching the different length of Neon Light;
3. Any customized Length available too, such as 1.2m or 1.4oy or 3.5m, and 5m length maximum;
4. Each 0.3m length with 1 hole and 1 screw, and installation referece to the user manual;

1.5 Trasparent PC Profile

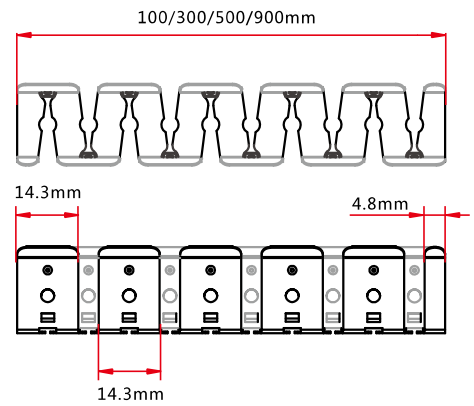
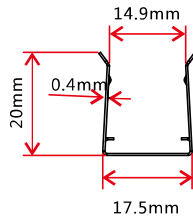
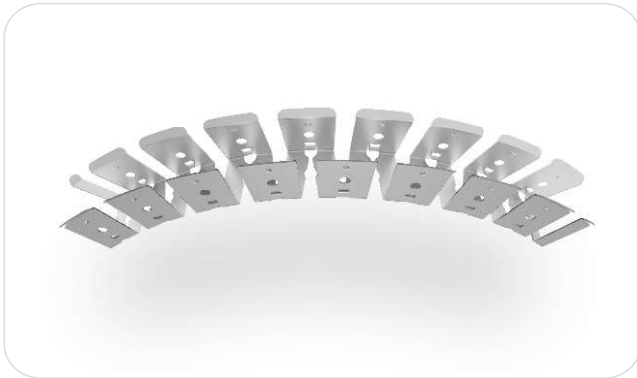


Code	W*H(mm)	Standard Length(mm)	Matching Neon Light Length(mm)	Screw Hole (mm)	Hole Number
DM-N1615-005	19*18	455	500	Φ3.5	2
		955	1000	Φ3.5	3
		1455	1500	Φ3.5	4
		1955	2000	Φ3.5	5

Notes:

1. This transparent Profiles's raw material is PC, and the customized milky color possible too;
2. These are the Profile recommended cutting length, in order to matching the different length of Neon Light;
3. Any customized Length available, installation referece to the user manual;

1.6 Curve Stainless Steel Profile



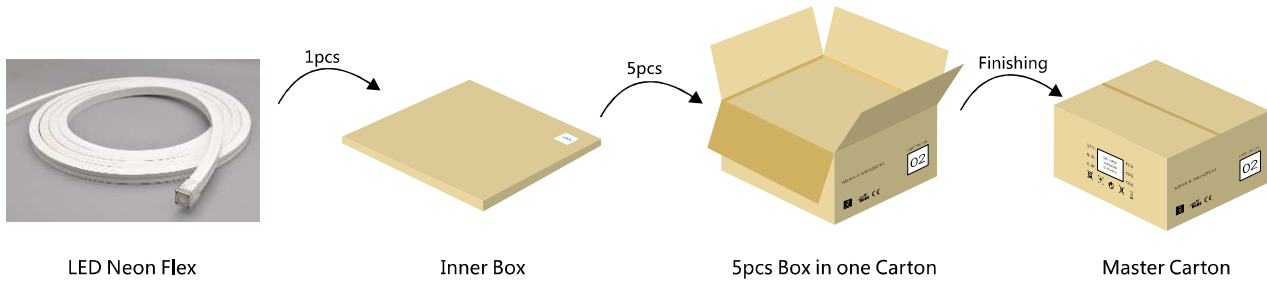
Model: DM-SQ-DW-CH

Note: Unless otherwise stated, the tolerance of the profile is $\pm 0.5\text{mm}$

Packaging Information

Packaging & Testing

1.7 Packaging Method



Packaging Details	White Box Dimension (cm)	Carton Dimension (cm)	Numbers of White Box	Carton Weight (kg)
Light Length	Inner Box Dimension (cm)	Carton Dimension (cm)	Number of inner box	Carton Weight (kg)
<4.5m	40*40*6	44*44*26	4	<6.9
5-8m	52*52*6	56*56*26	4	7.6-11.6
10m	61*61*6	65*65*26	4	14.2
15m	68*68*6	71*71*15	2	10.9
20m	74*74*6	76*76*15	2	14.2