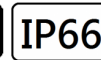


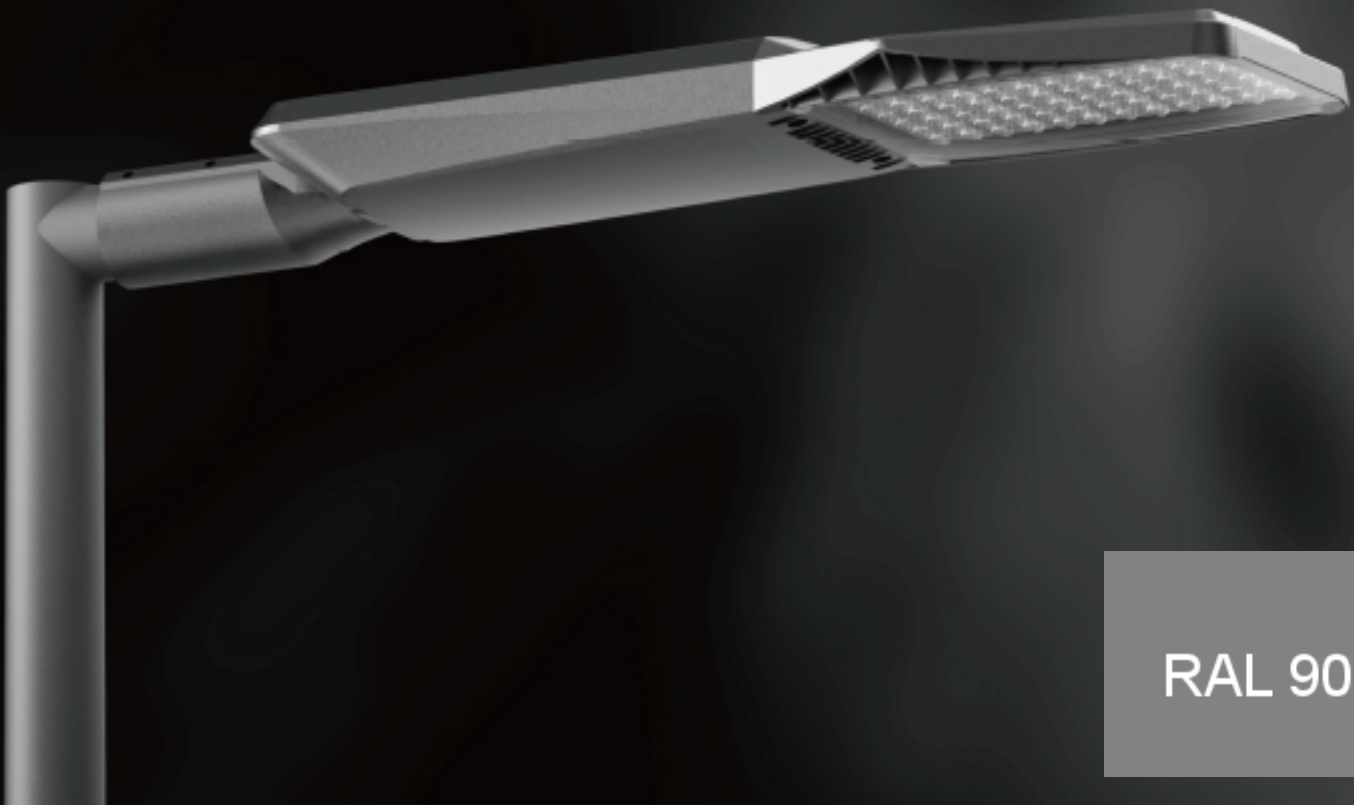
SMARE



ZigBee®



20W-180W IP66



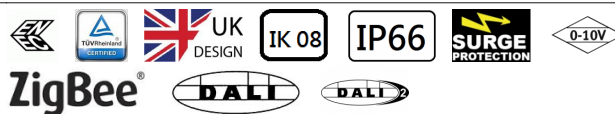
RAL 9023

- Die-casting aluminium housing, with IP66 enclosure protection level (IEC 60529) degree. bMechanical strength : IK 08
- With high transparent clear glass, 4mm tempered glass.
- Tool free open driver compartment, internal electronic parts modular designed for easy maintenance. bModular designed
- LED+PCB, 4 in 1 integrated optical lens, comply with ZHAGA standard.
- It is able to be controlled by 1-10V,DALI,Zigbee dimming
- Surface anti-ageing electrostatic spray processing,super resistance to corrosion
- Rotated bracket, Gaskets in anti-aging rubber
- Side entry installation, angle adjustable range: -15°+15°
- Top post installation, angle adjustable range: -10°+15°.

Technical Data

Luminaire Type-安裝方式 Tipo de luminaria	Arm Mounting / Pole Mounting / Bracket Mounting-臂安裝/杆安裝/支架安裝 Brazo de montaje / montaje / poste de montaje del soporte
Power Consumption with LED Driver LED燈具包括LED驅動電源功率 Consumo de energía con controlador de LED	L Type: 100W 120W 150W 180W M Type: 60W 80W S Type: 20W 30W 40W
Input Voltage / 輸入電壓 Voltaje de entrada	100-240 VAC / 100-277VAC 50-60Hz,
Control 控制 Control	<ul style="list-style-type: none"> • SW -ON/OFF • 1-10V / DALI • 5-Step Time (programmable LED driver dimming rate in 5 time zone) • NEMA photocell (3PIN) with SW- ON/OFF (Pre Setting Lux level: Light ON: 6 lux ON, Light OFF: 50lux) • NEMA photocell (5PIN) with 0-10V Dimming for auto adjustment in brightness • NEMA photocell (5PIN) with Dali Dimming Control for auto adjustment in brightness • Zigbee Wireless Control
Power Factor / 功率因數/Factor de potencia	PF>0.90
Total Harmonic Distortion/總諧波失/Distorsión armónica total	THD<15%
Protection Against Surges/防護措施/ PROTECCIÓN CONTRA LAS PROMOCIONES:	20kV
Light Source Brand-光源品牌-Fuente de luz de marca	CREE U.S.A
Photobiological safety-IEC 62471 / of Luminaire 光生物安全檢驗(IEC/EN 62471) 結果: Seguridad fotobiológica-IEC 62471	RG1 -Risk Group 1 1 類危險 (低危) RG1 - Grupo de riesgo 1
"Lumen Maintenance LM-80 Reported by ISTM &TM-21"	L70 > 164,000hrs
LED Life-LED壽命-La vida del LED	>60,000 hours
Color Temperature-色溫 Temperatura y color	2700K / 3000K / 4000K/ 5000K
Color Rendering Index-顯色指數 Índice de reproducción cromática	>70 or >80
MacAdam Ellipses Binning 麥克亞當橢圓分級 Mac Adam binning elipse	Standard Deviation Colour Matching < 3 SDCM 標準偏差配色 < 3 SDCM Coincidencia de color estándar Desviación < 3 SDCM
Beam Angle-光束角-ángulo de haz	Type: II-M II-S III IV V
Luminaire Efficacy 燈具效率 La eficacia de la luminaria	140 lm/w(2700K) @CRI >70 ; 130m/w(2700K) @CRI >80 140 lm/w(3000K) @CRI >70 ; 130m/w(3000K) @CRI >80 150 lm/w(4000K) @CRI >70 ; 140m/w(4000K) @CRI >80 160 lm/w(5000K) @CRI >70 ; 150m/w(5000K) @CRI >80
LED Source Luminous Efficacy LED光源光效 Fuente luminosa LED Eficacia	160 m/w(2700K) @CRI >70 ; 150m/w(2700K) @CRI >80 160 lm/w(3000K) @CRI >70 ; 150m/w(3000K) @CRI >80 170 lm/w(4000K) @CRI >70 ; 160m/w(4000K) @CRI >80 180 lm/w(5000K) @CRI >70 ; 170m/w(5000K) @CRI >80
Housing materials 外殼材料 Materiales de la carcasa	Die-cast aluminium and Tempered glass --壓鑄鋁和鋼化玻璃--Die fundición de aluminio y vidrio templado
Housing Color 外殼顏色 color de la carcasa	Surface anti-ultraviolet pure polyester powder painting, RAL 9023 Pearl dark grey 表面抗紫外線純聚酯粉末噴漆RAL 9023珠光深灰色 Pintura en polvo de poliéster puro anti-ultravioleta de superficie, RAL 9023 Gris oscuro perlado
Ingress Protection-防護等級 Protección de ingreso	IP66
Mech impact protection 機械衝擊保護 Protección contra impactos mecánicos	IK08
Operating Temperature Range / 工作溫度範圍 Rango de temperatura de funcionamiento	-30 °C / +50 °C / -22 °F / +122 °F
Storage Temperature 儲藏溫度 Temperatura de almacenamiento	-40 °C / +70 °C / -40 °F / +158 °F
Operating Humidity -工作濕度 Humedad de funcionamiento	0~90%, non-condensing-不結霜 sin condensación
Dimension (LxWxH)/尺寸/ Dimensión	Refer to Drawing 參考圖紙 Consulte el dibujo
Certificate Standard Complied 符合安規標準 estándar certificado de cumplimiento	LED Luminaries: LVD: IEC/EN 60598-1;EN / IEC/EN 60598-2-3;IEC62471;IEC/EN 62031; IEC/EN 62493 ;RoHS LED Driver: IEC/EN 61347-1; IEC/EN 61347-2-13; IEC/EN 62384; IEC/EN 61000-3-2; IEC/EN 61000-3-3;IEC/EN61574;EN 55015 ; IEC /EN 62384

Certification-認證-Certificación



Project	Fixture#	Date
		Firm

Ordering Information

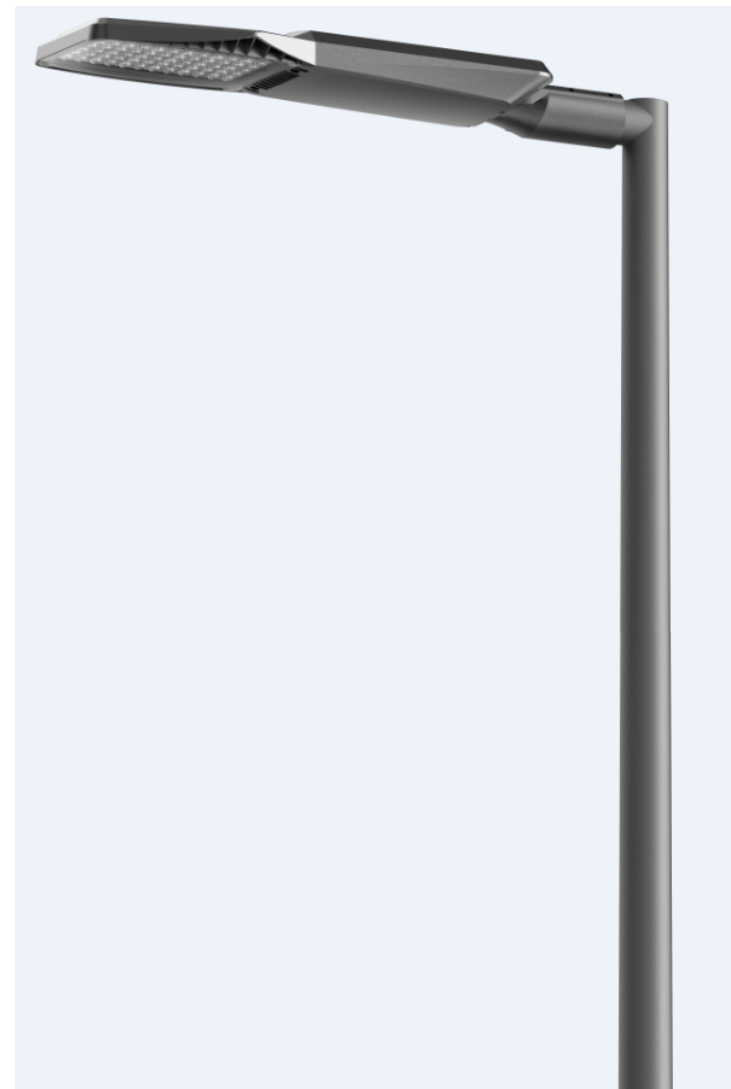
Choose the option that suits your need and write its corresponding code on the appropriate line to form the product code.

Example product code: [SMARE-L-150W](#)

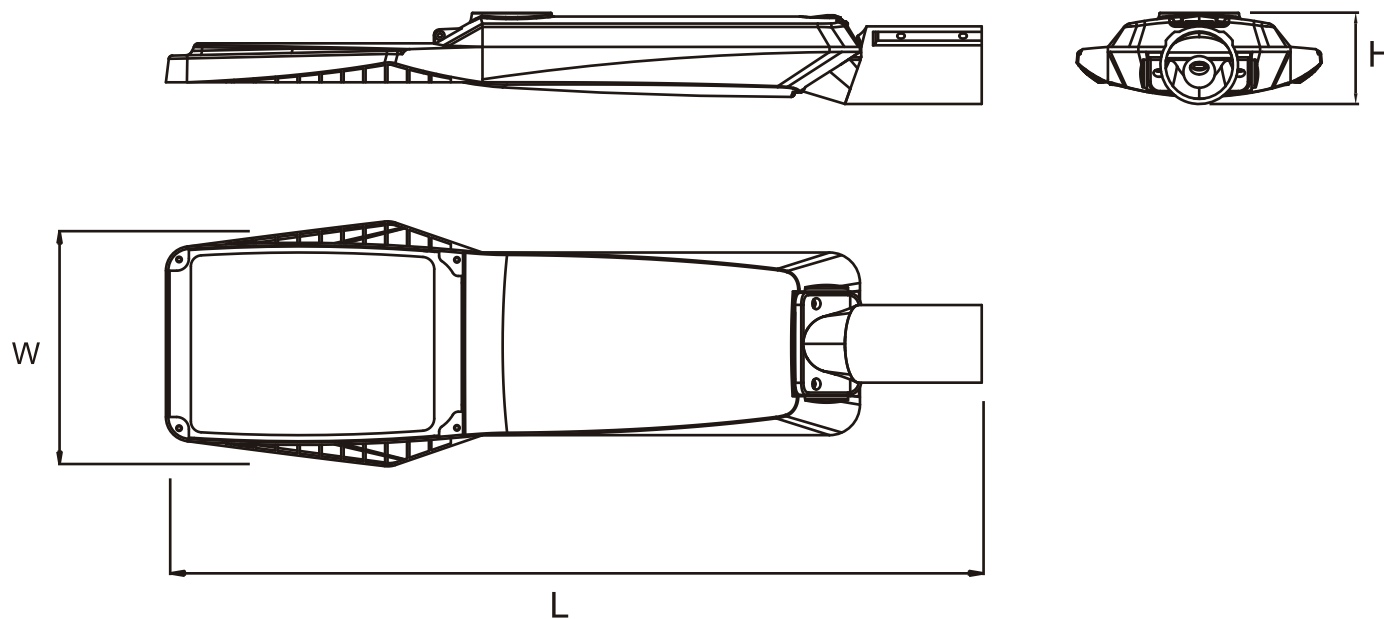
SMARE - -

POWER
CONSUMPTION

POWERbCONSUMPTION	
Code	Description
S-20W	20WbTypebS
S-30W	30WbTypebS
S-40W	40WbTypebS
M-60W	60WbTypebM
M-80W	80WbTypebM
L-100W	100WbTypebL
L-120W	120WbTypebL
L-150W	150WbTypebL
L-180W	180WbTypebL



Technical Drawing



S Type : 20W~40W @ L:685*W:218*H: 85mm
M Type : 60W~80W @ L: 753*W:240*H: 87mm
L Type : 100W~180W @ L: 867*W: 285*H: 100mm

Unit: mm

01

Cut off the power

02

Wire through and tighten the cable gland.

M16 6-9MM
M20 8-12MM
M20:23mm
M16:18mm

1. elastic sheet to open the compartment.
2. Line and tighten waterproof joint

03

N White
Yellow and Green
L Black

Water proof connector recommended to use.

04

elastic sheet to open the compartment.

05

One gear teeth is 1.6°
-15° -10° -5° 0 5 10 15°

Adjust the angel according to marked line.

06

gradienter
bubble
260mm

1. Version with photocell, tighten the cap.
2. Fitting the luminaire, adjust the horizontal level.

07

▲Torque setting to be applied to any bolts or screw: 8.0N.M

Insert the plug into socket

08

Turn on the Power

Side entry installation, angle adjustable range: -15°~+15°.

Top post installation, angle adjustable range: -10°~+15°.



Announcements:

1. Please check the wire is good before connecting the wire
2. Please check if you shut the power before connecting
3. Please connect the wire with right color show in the sketch map
4. After connected to the power cable, make sure the cable joint position and wire of lamp must be waterproof processing, IP≥65
5. It's normal phenomenon, there is temperature rise on the products surface when use.
6. Please kindly read the introduction carefully to avoid the accident and damage. Just can be repaired and cleared after cutting off power.
7. Must be installed by qualified electrician. The connection way must be suitable for IEEE electrical standard or national standard.
8. Please kindly use soft cloth to clear it regularly (annually) to maintain the brightness.
9. It should be stocked in the shady, dry and clear environment and the stocked temperature is -40°C to 50°C.