



**SOGNE-L**

*120-180W*



**SOGNE-M**

*40-100W*



**SOGNE-S**

*40-80W*

## SOGNE Series



IP66 electrical box housing, when the lighting open there are support rod protection and automatic power-off device to effectively protect the safety.



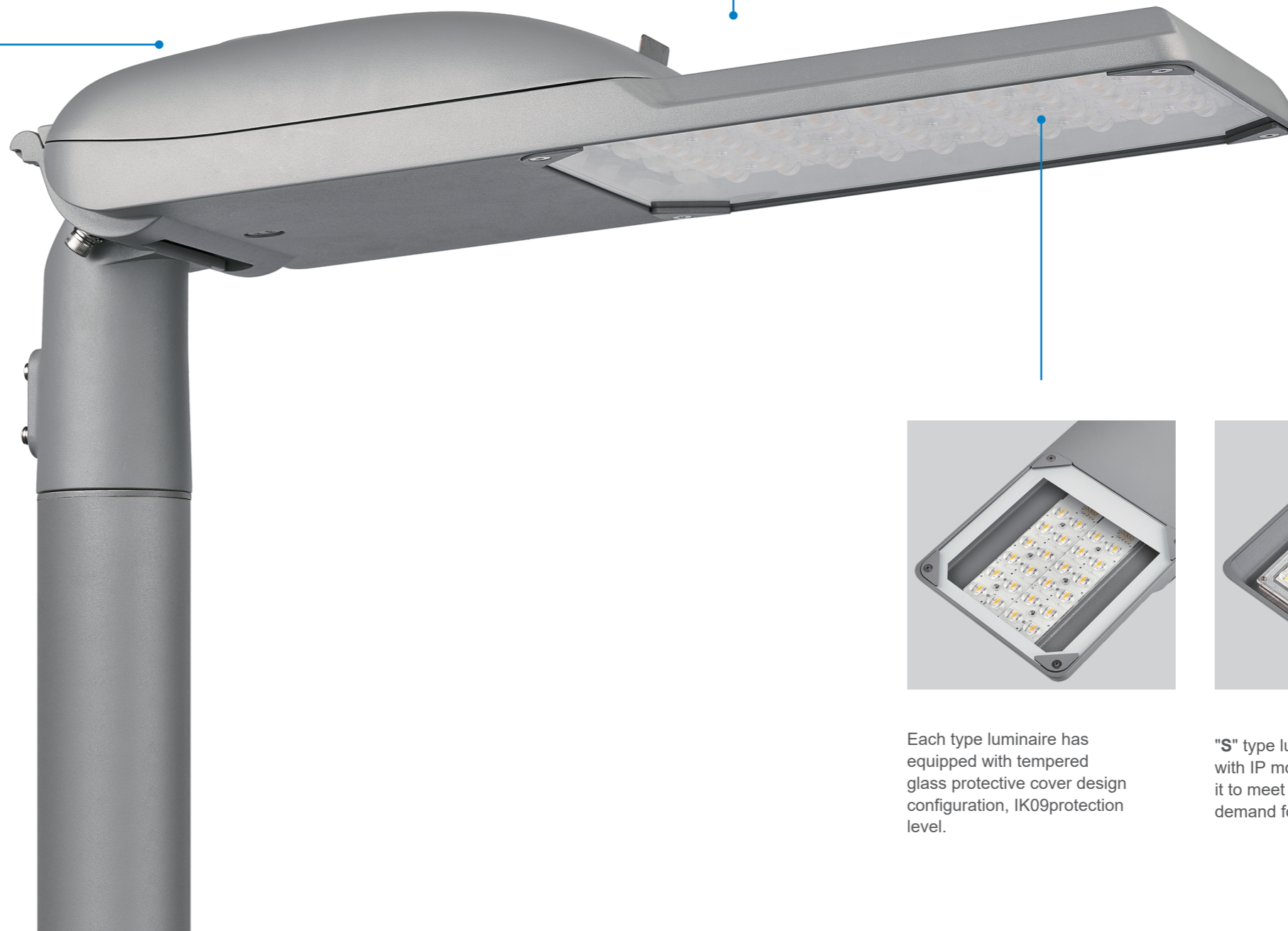
Simple shape design, with stainless steel locker design, free tools to open.



A group of economic LED street lighting, with full complete functions and simple and generous modeling, reflects the extraordinary design concept from the ordinary. There are two optical modes: glass cover and module lens. The lamp power range is from 40W to 180W.



Top or side fitting  $\varnothing 60\text{mm}$ ,  $\varnothing 76$  arm be option, from  $-10^\circ \sim +10^\circ$  angle adjustable.



Each type luminaire has equipped with tempered glass protective cover design configuration, IK09 protection level.



"S" type luminaire is equipped with IP module lens configuration, it to meet individual customers demand for high light efficiency.

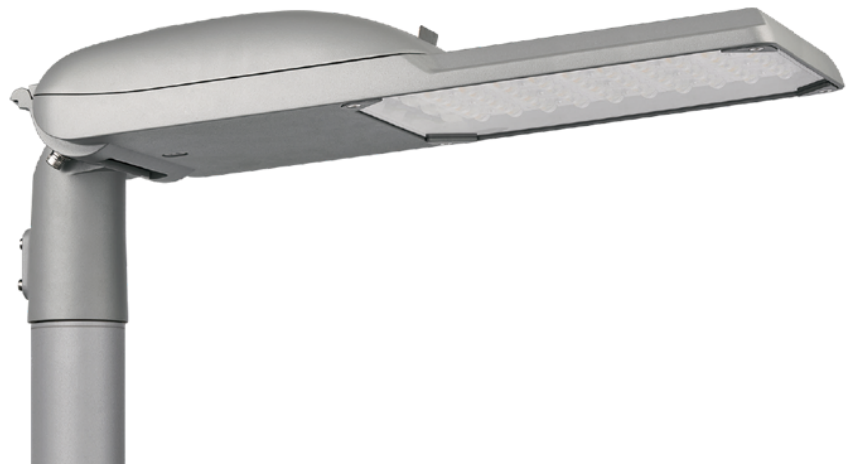
## SOGNE

40W-180W IP66



### SOGNE-L

120-180W






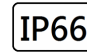

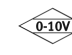

RAL 9006

Ral 9005

RAL 7024

- Die-casting aluminium body, super white tempered glass.
- Optical with PC lenses with high visual comfort and uniform lighting distribution, multiple optical distribution options.
- High quality LED chips, Driver with 0-10V/DALI/programmed be options, and with surge protection up to 20KV. bTool-free replaceable, stainless steel fasten for opened device, automatic on/off connector when be open.
- Surface anti-ultraviolet pure polyester powder painting, Corrosion resistance.
- No photo-biological risk, (no risk linked to infrared, blue light and UV radiation in accordance with EN 62471:2008).

## Technical Data

Luminaire Type-安裝方式 Tipo de luminaria	Arm Mounting / Pole Mounting / Bracket Mounting-臂安裝/杆安裝/支架安裝 Brazo de montaje / montaje / poste de montaje del soporte
Power Consumption with LED Driver LED燈具包括LED驅動電源功率 Consumo de energía con controlador de LED	L Type : 120W 150W 180W M Type: 40W 60W 80W 100W
Input Voltage / 輸入電壓 Voltaje de entrada	100-240 VAC / 100-277VAC 50-60Hz,
Control 控制 Control	<ul style="list-style-type: none"> <li>• SW -ON/OFF</li> <li>• 1-10V / DALI</li> <li>• 5-Step Time ( programmable LED driver dimming rate in 5 time zone )</li> <li>• NEMA photocell (3PIN) with SW- ON/OFF ( Pre Setting Lux level : Light ON: 6 lux ON , Light OFF: 50lux)</li> <li>• NEMA photocell (5PIN) with 0-10V Dimming for auto adjustment in brightness</li> <li>• NEMA photocell (5PIN) with Dali Dimming Control for auto adjustment in brightness</li> <li>• Zigbee Wireless Control</li> </ul>
Power Factor / 功率因數/Factor de potencia	PF>0.90
Total Harmonic Distortion/總諧波失/Distorsión armónica total	THD <20%
Protection Against Surges/防護措施/ PROTECCIÓN CONTRA LAS PROMOCIONES:	20kV
Light Source Brand-光源品牌-Fuente de luz de marca	CREE U.S.A
Photobiological safety-IEC 62471 / of Luminaire 光生物安全檢驗(IEC/EN 62471) 結果: Seguridad fotobiológica-IEC 62471	<ul style="list-style-type: none"> <li>• RG1 -Risk Group 1</li> <li>• 1 類危險 (低危)</li> <li>• RG1 - Grupo de riesgo 1</li> </ul>
"Lumen Maintenance LM-80 Reported by ISTM &TM-21"	L70 > 215,000hrs @70W &50W&40W&38W&30W L70 > 212,000hrs @90W&80W&75W L70 > 202,000hrs @120W &110W L70 > 189,000hrs @150W & 140W L70 > 164,000hrs @180W&200W
LED Life-LED壽命-La vida del LED	>60,000 hours
Color Temperature-色溫 Temperatura y color	2700K / 3000K / 4000K/ 5000K/ 6500K
Color Rendering Index-顯色指數 Índice de reproducción cromática	>70 or >80
MacAdam Ellipses Binning 麥克亞當橢圓分級 Mac Adam binning elipse	Standard Deviation Colour Matching < 3 SDCM 標準偏差配色< 3 SDCM Coincidencia de color estándar Desviación < 3 SDCM
Beam Angle-光束角-ángulo de haz	T2A T2B T3A T3B T3D T3M T3N T4
Luminaire Efficacy 燈具效率 La eficacia de la luminaria	<ul style="list-style-type: none"> <li>• 120 lm/w(2700K) @CRI &gt;70 ; 110m/w(2700K) @CRI &gt;80</li> <li>• 130 lm/w(3000K) @CRI &gt;70 ; 110m/w(3000K) @CRI &gt;80</li> <li>• 140 lm/w(4000K) @CRI &gt;70 ; 130m/w(4000K) @CRI &gt;80</li> <li>• 150 lm/w(5000K) @CRI &gt;70 ; 140m/w(5000K) @CRI &gt;80</li> <li>• 150 lm/w(6500K) @CRI &gt;70 ; 140m/w(6500K) @CRI &gt;80</li> </ul>
LED Source Luminous Efficacy LED光源光效 Fuente luminosa LED Eficacia	<ul style="list-style-type: none"> <li>• 140 m/w(2700K) @CRI &gt;70 ; 130m/w(2700K) @CRI &gt;80</li> <li>• 140 lm/w(3000K) @CRI &gt;70 ; 130m/w(3000K) @CRI &gt;80</li> <li>• 160 lm/w(4000K) @CRI &gt;70 ; 150m/w(4000K) @CRI &gt;80</li> <li>• 170 lm/w(5000K) @CRI &gt;70 ; 160m/w(5000K) @CRI &gt;80</li> <li>• 170 lm/w(6500K) @CRI &gt;70 ; 160m/w(6500K) @CRI &gt;80</li> </ul>
Housing materials 外殼材料 Materiales de la carcasa	Die-cast aluminium and Tempered glass --壓鑄鋁和鋼化玻璃--Die fundición de aluminio y vidrio templado
Housing Color 外殼顏色 color de la carcasa	Surface anti-ultraviolet pure polyester powder painting,RAL 9006 Grey RAL 7024 Graphite Grey RAL 9005 Black 表面抗紫外線純聚酯粉末噴漆RAL 9006 灰色 RAL 7024 石墨灰色 RAL 9005 黑色 Pintura en polvo de poliéster puro anti-ultravioleta de superficie, RAL 9006 Gris RAL 7024 Gris Grafito RAL 9005 Negro
Ingress Protection-防護等級 Protección de ingreso	IP66
Mech impact protection 機械衝擊保護 Protección contra impactos mecánicos	IK09
Operating Temperature Range / 工作溫度範圍 Rango de temperatura de funcionamiento	-30 °C / +50 °C / -22 °F / +122 °F
Storage Temperature 儲藏溫度 Temperatura de almacenamiento	-40 °C / +70 °C / -40 °F / +158 °F
Operating Humidity -工作濕度 Humedad de funcionamiento	0~90%, non-condensing-不結霜 sin condensación
Dimension (LxWxH)/尺寸/ Dimensión	Refer to Drawing 參考圖紙 Consulte el dibujo
Certificate Standard Complied 符合安規標準 estándar certificado de cumplimiento	LED Luminaries: LVD: IEC/EN 60598-1;EN / IEC/EN 60598-2-3;IEC62471;IEC/EN 62031; IEC/EN 62493 ;RoHS LED Driver: IEC/EN 61347-1; IEC/EN 61347-2-13; IEC/EN 62384; IEC/EN 61000-3-2; IEC/EN 61000-3-3;IEC/EN61574;EN 55015 ; IEC /EN 62384
Certification-認證-Certificación	      

Project	Fixture#	Date
		Firm

## Ordering Information

Choose the option that suits your need and write its corresponding code on the appropriate line to form the product code.

Example product code: [SOGNE-L-150W](#)

SOGNE - -

POWER  
CONSUMPTION

POWER CONSUMPTION	
Code	Description
<a href="#">M-40W</a>	40W Type M
<a href="#">M-60W</a>	60W Type M
<a href="#">M-80W</a>	80W Type M
<a href="#">M-100W</a>	100W Type M
<a href="#">L-120W</a>	120W Type L
<a href="#">L-150W</a>	150W Type L
<a href="#">L-180W</a>	180W Type L



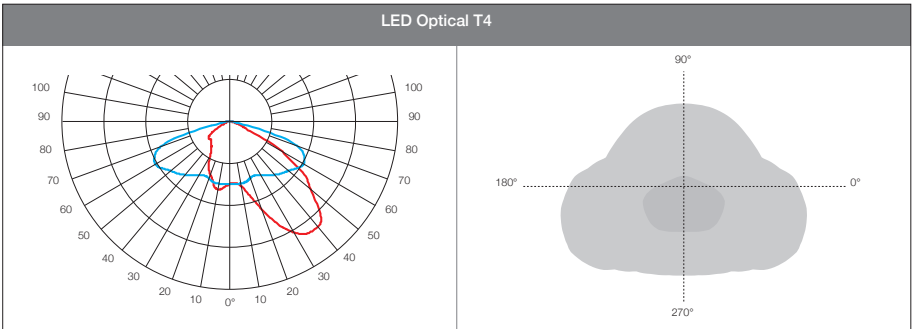
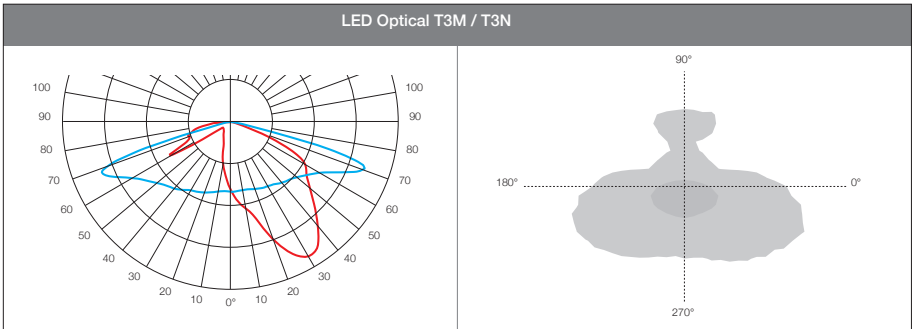
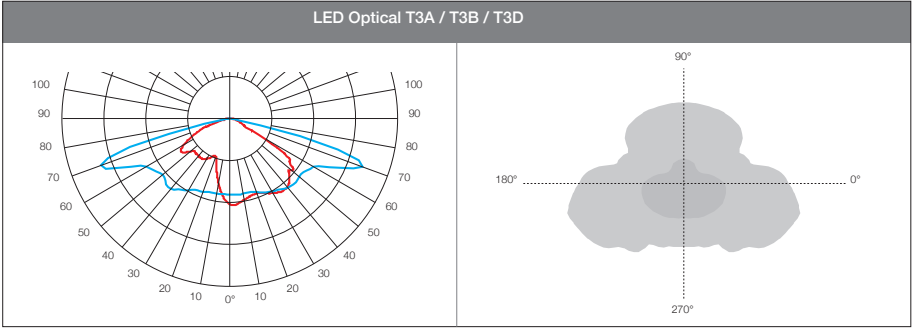
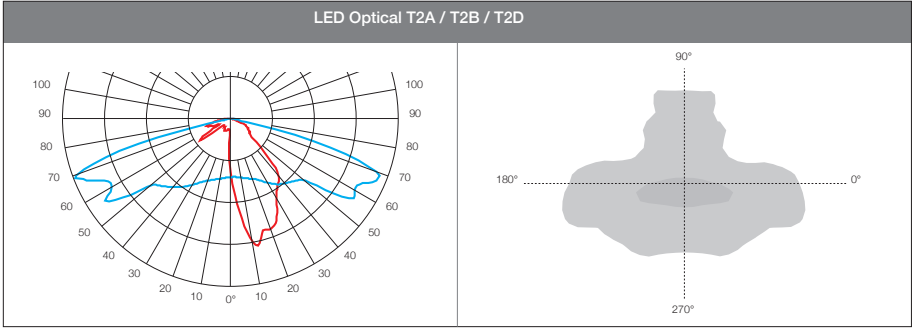
Each type luminaire has equipped with tempered glass protective cover design configuration, IK09 protection level.



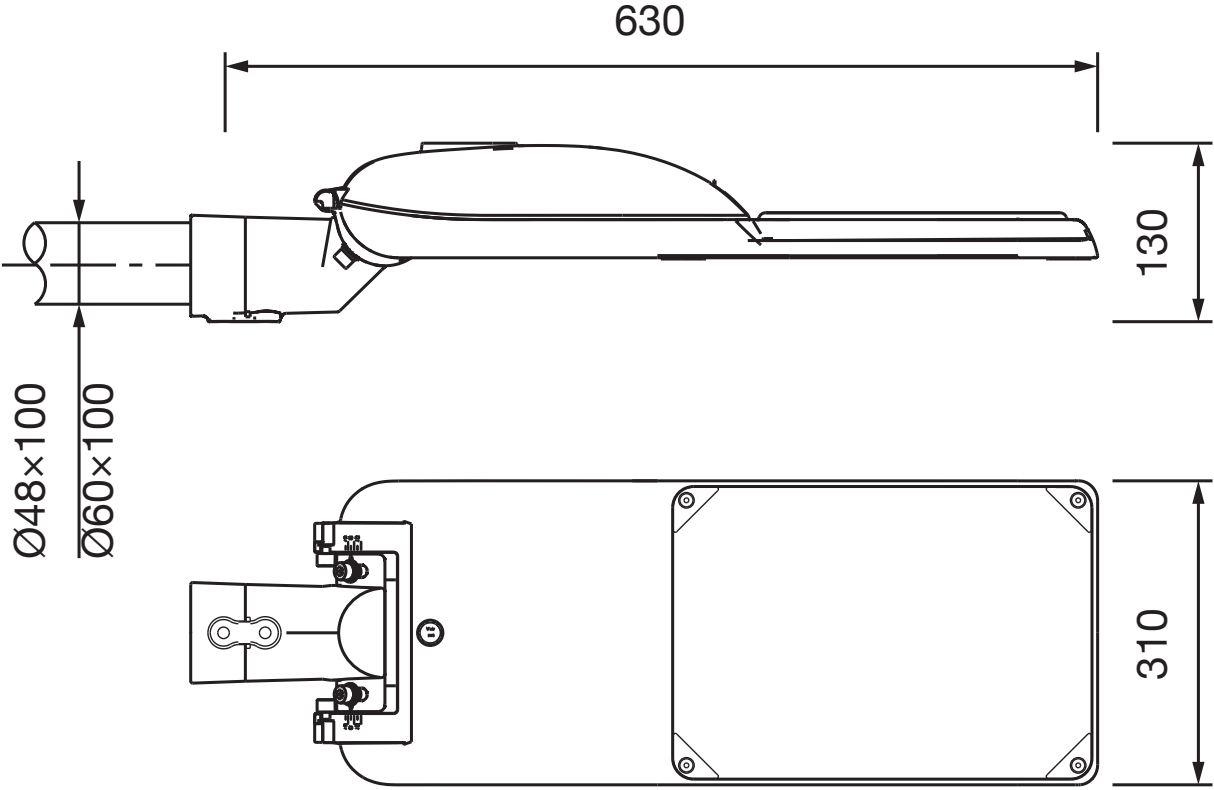
"S" type luminaire is equipped with IP module lens configuration, it to meet individual customers demand for high light efficiency.

BEAM ANGLE

**LED Street Light -SOGNE**



Technical Drawing  
**LED Street Light --SOGNE-L (120W -180W)**

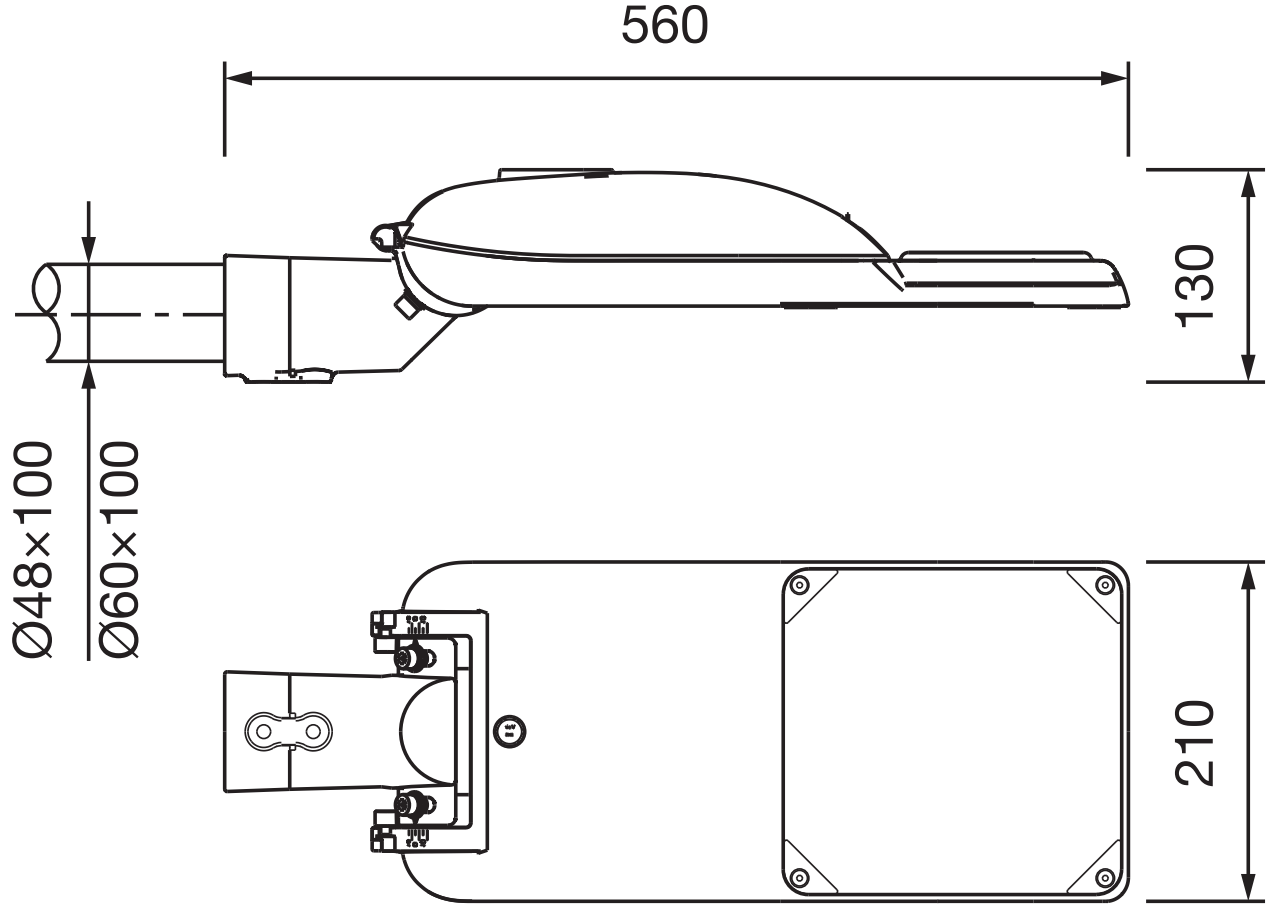


$\varnothing 60$ ixing Arm

$\varnothing 48$ Fixing Arm  
Arm / Adapter required for install on the pole.

Unit: mm

Technical Drawing  
**LED Street Light --SOGNE-M (40W -100W)**



Unit: mm



Ø60ixing Arm

Ø48Fixing Arm

Arm / Adapter required for install on the pole.