

SOLAR-X-6NM

3NM~6NM-Selfcontained Marine Lartern



- SOLAR-X-6NM series is a self-contained lantern powered by solar energy and lithium battery with integrated structure design.
- It has the characteristics of low power consumption, easy maintenance and aging resistance.
- It can be widely used in inland rivers, Coastal and harbor light buoys.
- This series of lamps is composed of LED point light source, lens, solar panel and weather-resistant material case.
- The lamp can easily realize the remote measurement and control of the lantern through the NB-IoT or 4G communication method with DIMON Marine Monitoring system App.
- The GPS high-precision clock is used to realize the synchronous flash function;
- The range is >6nautical miles, the vertical divergence angle is ± 8 degrees, and the horizontal divergence angle is 360 degrees.

SOLAR-X-6NM

3NM~6NM-Selfcontained Marine Lartern

Technical Data

Features
功能

- Long Life -LED Light Source
- 恆定電流驅動，光電轉換效率高，發光穩定，壽命長
- Optional GPS synchronisation module 可選配 GPS 同步模組
- 15 levels of luminous intensity adjustment to adapt to different range requirements.
- 15檔發光強度調節，適應不同射程需求
- Available in all IALA approved colours 提供所有IALA批准的顏色
- 256 user selectable flash characters and selectable daylight sensor
- 256種燈具可供選擇；日光閾值可設定
- Magnetic On/Off Switch for quick deployment and hassle free storage maintenance check
- 磁性開關，方便快速部署與維護檢查
- User selectable power and flash character settings via BLUE Tooth 5.0 up to 40meter
- 用戶可透過藍牙 5.0 設定功率和閃爍字符，有效距離可達 40 米
- Optional Control protocol : NB-IoT for Long Distance Wireless control
- 可選配 NB-IoT 控制協議，實現遠距離無線控制
- Working hours lasting up to 30 days in bad weather (1:1 ratio of light to dark).
- 標配可持續工作30個陰雨天(每天亮燈14小時，明滅比1:1).
- Optional GNSS synchronized-control flash function by GPS or BDS
- 選配 GPS 或北斗 GNSS 同步控制閃爍功能
- Optional 4G wireless DIMON Monitoring system for comprehensive fault alarm and status monitoring.
- Ingress Protection: IP67 防護等級IP67

Selectable Range 可選範圍	<ul style="list-style-type: none"> • 3 nautical miles (T=0.74) 3 海里 (T=0.74) • 4 nautical miles (T=0.74) 4 海里 (T=0.74) • 5 nautical miles(T=0.74) 5海里 (T=0.74) • 6 nautical miles(T 0.74) 6海里 (T 0.74)
Available Colours 可選顏色	<ul style="list-style-type: none"> • Red 紅 • Green 綠 • Yellow黃 • White 白 • Yellow/Blue 黃/藍
Visibility能見角	360° horizon (omnidirectional)360° 地平線 (全向)
Vertical Divergence 垂直發散角度	8°±0.3
Flash Codes 燈質閃爍編號	Up to 256 codes IALA , field selectable 最多可設定 256 個 IALA 代碼
Synchronisation同步	GPS-Global Positioning System + BDS-BeiDou Navigation Satellite GPS 定位 GNSS授時(GPS+北斗)
Daylight (Lux) Sensor 日光閾值	Default 300Lux (100~1000Lux adjustable) 預設300Lux,100-1000Lux可調
LED Lamp Input Voltage LED燈輸入電壓	DC7.3V
Solar Power 太陽能功率	20.8W (4 x 5.2W) Solar Panels 20.8W 4 x 5.2W 太陽能電池板
Battery Capacity 電池容量	7.4 V 49AH 357.7Wh Lithium Ion (Comply IEC 62133-2 ; UL1642 , UN38, MSDS) 7.3 V 49AH 鋰離子電池 (通過以下測試標準 IEC 62133-2 ; UL1642 , UN38,)
Duration 耐用時間 Working hours on rainy days 雨天工作時間	Standard configuration for 30 days @ ON/OFF : Ratio 1:1 標準配置 30 天 @ 明暗設計 比例 1:1
Control Protocol Selection: 控制協議選擇:	<ul style="list-style-type: none"> • BLUE Tooth 5.0 up to 40meter for IALA Flasing Code, Lux Sensor and Distance setting. Battery monitoring by APP software • 藍牙 5.0 最遠 40 米，用於IALA閃光代碼、勒克斯感光照度和距離設置 都可以通過APP軟件監控電池 • NB-IoT Overvoltage and Undervoltage, Fault, Position offset report by PC IOT Software • 電腦軟件透過4G/ NB-IoT協議做燈具的 過壓和欠壓、故障、位置偏移監測回報 • 4G Wireless control system: Overvoltage and Undervoltage, Fault, Position offset report by PC 4G Software • 電腦軟件透過 4G協議做燈具的 過壓和欠壓、故障、位置偏移監測回報
Magnetron Switch 磁控開關	For Turn On and Turn OFF Lantern Power 用於打開和關閉燈具電源
Net Weight 淨重	4.3KG
Dimension 尺寸	Dia 250mm x H: 427.5mm
Operating Temperature Range 工作溫度範圍	-35° to +60°C
Ingress Protection-防護等級	IP 67
Housing materials外殼材料	UV resistant molded polycarbonate 抗紫外線模塑PC
Mech impact protection機械衝擊保護	IK08
Certification	   

Project	Fixture#	Date
		Firm

Ordering Information

Choose the option that suits your need and write its corresponding code on the appropriate line to form the product code.

Example product code: [GPS-B-4G](#)

SOLAR-X-6NM - - _____ - _____
Color Control

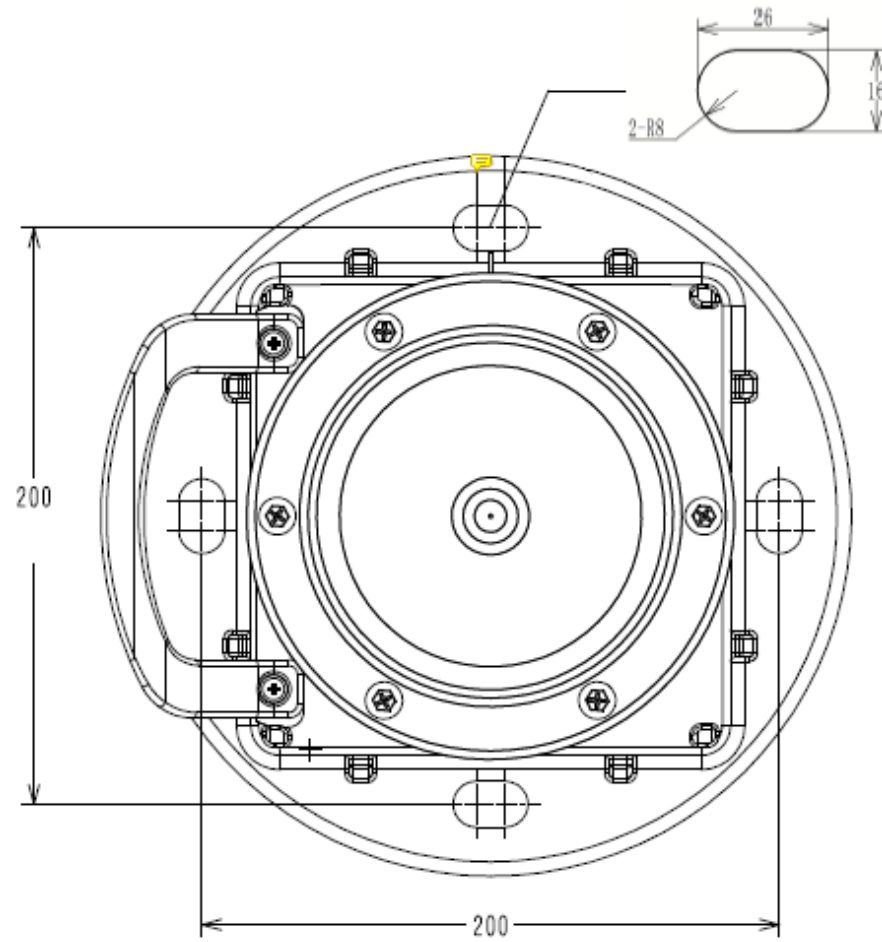
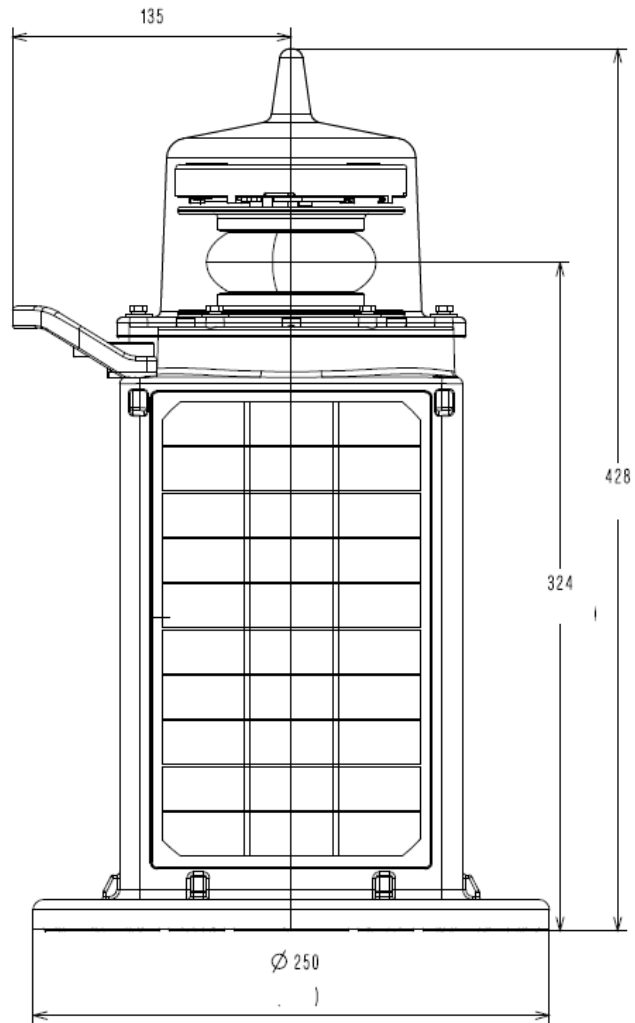
Color		Control	
Code	Description	Code	Description
R	Red	GPS-B-4G	PS & Bluetooth & 4G network GPS&藍牙和4G網絡
G	Green	GPS-BSD-B	GPS & BDS-BeiDou Navigation Satellite & Blueooth GPS及北斗導航衛星及藍牙
Y	Yellow	GPS-AIS-B	Automatic Identification System GPS & Bluetooth AIS& GPS和藍牙
W	White		
YB	Yellow/Blue 黃/藍		



Optional AIS

- Working voltage DC7.3V
- The AIS effective radius is 12 nautical miles and the maximum range is 5 nautical miles.
- 161.975MHz and 162.025MHz dual AIS frequency point transmission
- Battery standard up 7.3V 64Ah

Technical Drawing



Unit: mm

Technical Drawing AIS Version

