

STECA

Neon Light 10x10mm

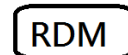
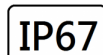


- Seamless, dot free, uniform light output.
- Bendable at vertical or horizontal direction.
- Robust housing with high quality silicon.
- UV proof for true outdoor application.
- Easy installation with clips or profile
- Cuttable for flexible use.

Technical Data

Installation method / 安裝方式 Metodo de instalacion	Surface Mounted Type / 明裝式燈具 / Superficie Tipo Montado
Power Consumption / LEDs Qty 燈具功率 / LED 燈珠數量 Consumo de energia / Cantidad de LED	4W / Meter @ 180 PCS LED Min. Cutting Length: 33.3mm @ 6 pcs LEDs (DC 24V) 5W / Meter @ 180 PCS LED Min. Cutting Length: 33.3mm @ 6 pcs LEDs (DC 24V) 6W / Meter @ 180 PCS LED Min. Cutting Length: 33.3mm @ 6 pcs LEDs (DC 24V) 8W / Meter @ 180 PCS LED Min. Cutting Length: 33.3mm @ 6 pcs LEDs (DC 24V) 10W / Meter @ 180 PCS LED Min. Cutting Length: 33.3mm @ 6 pcs LEDs (DC 24V)
LED Driver Type LED驅動款式 Tipo de controlador LED	Remote-type LED Driver--Refer to LED driver specification 請參閱LED驅動器規格 Consulte la especificación de controlador de LED 1. ON/OFF Switch AC220-240V 50/60HZ 2. 0/1 -10V Dimming Driver AC220-240V 50/60HZ 3. DALI Dimming Driver AC220-240V 50/60HZ 4. DMX Driver AC220-240V 50/60HZ (Dimming range from 0-100%) 5. RDM Driver AC220-240V 50/60HZ
Input Voltage / 輸入電壓 Voltaje de entrada	DC 24V
Color Temperature / 色溫 Temperatura de color	2700K / 3000K / 4000K / 6500K
Color Rendering Index / 顯色指數 Índice de reproducción cromática	> 90 @ Mono White
Lumen Maintenance LM-80 Reported by TM-21	L70 > 54,000 hours
LED Life / LED壽命 / La vida del LED	>100,000 hours
LED Chips Brand / LED晶片品牌 Marca de chips LED	Epistar
Beam Angle / 光束角 ángulo de haz	120°
MacAdam Ellipses Binning 麥克亞當橢圓分級 Mac Adam binning elipse	Standard Deviation Colour Matching < 3 SDCM 標準偏差配色 < 3 SDCM Coincidencia de color estándar Desviación < 3 SDCM
Luminaire Efficacy / 燈具效率 La eficacia de la luminaria	Side Light 40 LM/W (2700K) 45 LM/W (3000K) 45 LM/W (4000K) 50 LM/W (6500K) Front Light 45 LM/W (2700K) 50 LM/W (3000K) 50 LM/W(4000K) 55 LM/W (6500K)
Housing materials / 外殼材料 Materiales de la carcasa	Silicone / 矽膠 / Silicona
Bending Direction / 可彎曲方向 / Dirección de flexión	Vertical Bending or Horizontal Bending.
Minimum Bend Diameter / 最小彎曲直徑 Diámetro mínimo de curvatura	Dia 180 mm
Maximum Length Feed 最大連接長度 Longitud máxima del feed	24V: 10m @ Single Feed 單端供電 24V: 20m @ Double Feed 兩端供通
Operating Temperature Range / 工作溫度範圍 Rango de temperatura de funcionamiento	-20 °C / +50 °C
Operating Humidity / 工作濕度 Humedad de funcionamiento	0~90%, non-condensing / 不結霜 sin condensación
Ingress Protection / 防護等級 Protección de ingreso	IP67 - (IEC 60529)
Dimension / 尺寸 / Dimensión	W: 10 x H: 10mm
Comply Testing Standard 符合測試標準 Cumplir el estándar de prueba	LED Luminaries: LVD: IEC/EN 60598-1;EN / IEC/EN 60598-2-1;IEC62471;IEC/EN 62031; IEC/EN 62493 ; IEC/EN 62471 (Risk Group 1) LED Driver: IEC/EN 61347-1; IEC/EN 61347-2-13; IEC/EN 62384; IEC/EN 61000-3-2; IEC/EN 61000-3-3;IEC/EN61574;EN 55015 ; IEC /EN 62384

Certification-認證-Certificación



Project	Fixture#	Date
		Firm

Ordering Information

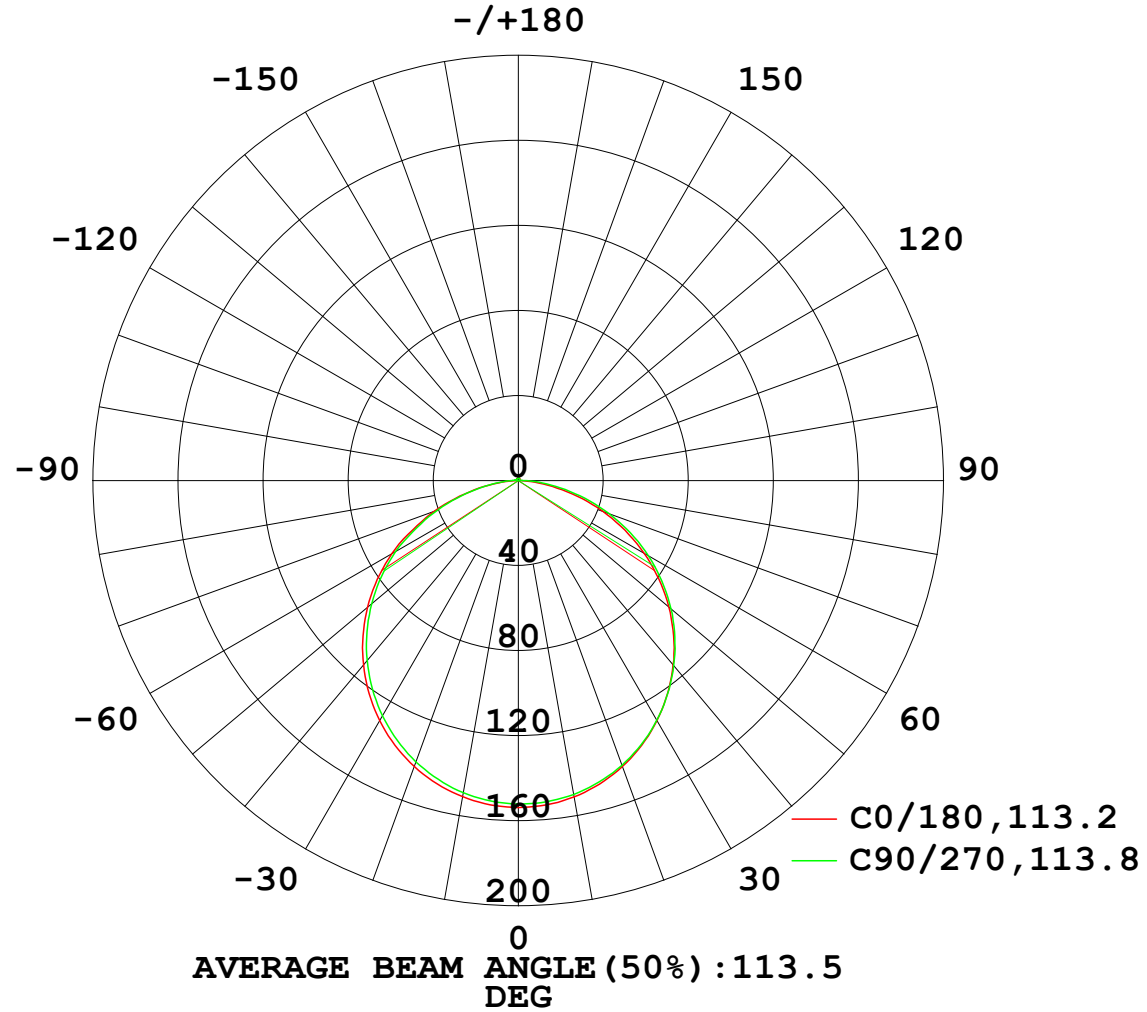
Choose the option that suits your need and write its corresponding code on the appropriate line to form the product code.

Example product code: [STECA-10W](#)

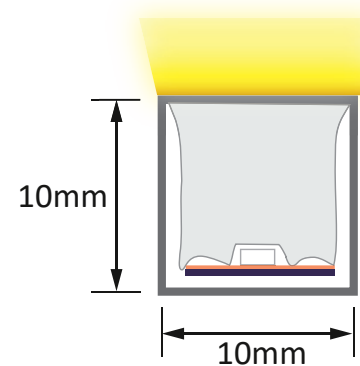
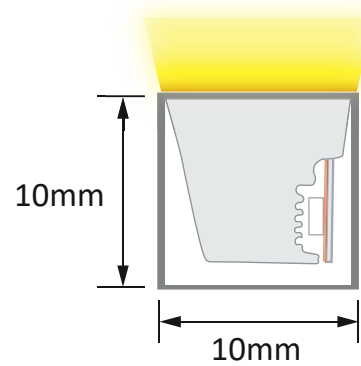
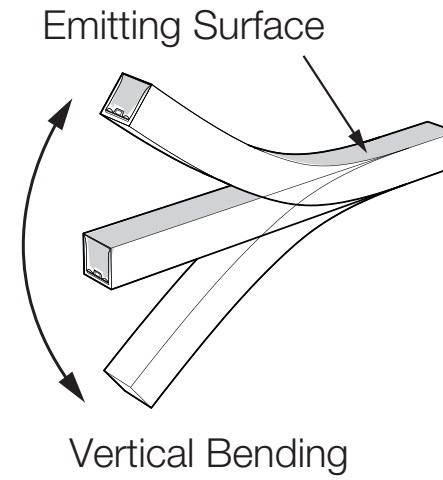
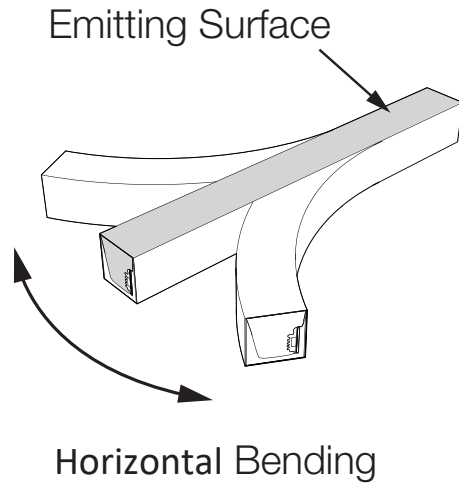
STECA - -
 Power Consumption

Power Consumption	
Code	Description
4W	4W
5W	5W
6W	6W
8W	8W
10W	10W

Beam Angle



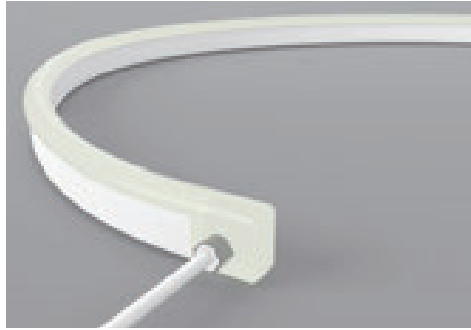
Bending Direction & Dimension



Cable Output Direction



Direct Entry



Side Entry



Bottom Entry

Mounting Profile

