

STEE

30W-150W IP66



LED STREET LIGHTING is finished by Die-cast aluminium with separated and integrated LED Driver Box, with surface anti-ageing electrostatic spray processing,super resistance to corrosion and rotated bracket, Gaskets in anti-aging rubber , tempered clear Glass and Heat Resisting Cable. It's as well a great alternative to urban furniture due to its IP protection rating and IK08 Impact protection, anti-corrosion and vibration test approved,durable and state-of-the-art fixture.Designed for roadway and parking lot area,replace traditional street and area light with quick payback and superior performance. Adopt modular light distribution Lens and super clear tempered glass. Button design for opening LED driver box for easy power circuit connection. And, It is able to be controlled by 1-10V,DALI,Zigbee dimming system. LED module: high-power NICHIA LED, CRI>80 up to 130lm/w. TM21 L70 performance approve >60,000 hours; Fixing: Top or side fitting for pole with adjustable bracket.

Technical Data

Luminaire Type- 安裝方式 Tipo de luminaria	Arm Mounting / Pole Mounting / Bracket Mounting 臂安裝 / 杆安裝 / 支架安裝 Brazo de montaje / montaje / poste de montaje del soporte																					
Power Consumption with LED Driver LED燈具包括LED驅動電源功率 Consumo de energía con controlador de LED	<table border="1"> <tr> <td>• 30W</td> <td>50W</td> <td>70W</td> </tr> <tr> <td>• 90W</td> <td>120W</td> <td>150W</td> </tr> </table>	• 30W	50W	70W	• 90W	120W	150W															
• 30W	50W	70W																				
• 90W	120W	150W																				
Input Voltage / 輸入電壓 Voltaje de entrada	AC220-240V 50-60Hz																					
Control Control Integrated LED Driver 內置LED電源	<ul style="list-style-type: none"> • SW -ON/OFF • 1-10V / DALI • 5-Step Time (programmable LED driver dimming rate in 5 time zone) • NEMA photocell (3PIN) with SW-ON/OFF (Pre Setting Lux level: Light ON: 6 lux ON, Light OFF: 50lux) • NEMA photocell (5PIN) with 0-10V Dimming for auto adjustment in brightness • NEMA photocell (5PIN) with Dali Dimming Control for auto adjustment in brightness • Zigbee Wireless Control 																					
Power Factor / 功率因數 Factor de potencia	PF>0.90 or PF >0.95 Refer to LED driver specification 請參閱LED驅動器規格 Consulte la especificación de controlador de LED																					
Total Harmonic Distortion/總諧波失真 Distorsión armónica total	THD<15% Refer to LED driver specification 請參閱LED驅動器規格 Consulte la especificación de controlador de LED																					
Protection Against Surges防護措施 La protección contra la surges	<ul style="list-style-type: none"> • 6kV line-line • 10kV line-earth 																					
Light Source Brand-光源品牌-Fuente de luz de marca	NICHIA - (Photobiological safety-IEC 62471) & Photobiological safety of LED street Light is IEC/EN 62471 (Exempt Group)																					
"Lumen Maintenance LM-80 Reported by TM-21"	L70(10k) > 60,000 hrs																					
LED Life-LED壽命-La vida del LED	>100,000 hours																					
Color Temperature 色溫 Temperatura	• 3000K 4000K 5000K																					
Color Rendering Index-顯色指數 Índice de reproducción cromática	• >70 • >80																					
MacAdam Ellipses Binning 麥克亞當橢圓分級 Mac Adam binning elipse	Standard Deviation Colour Matching < 3 SDCM 標準偏差配色 < 3 SDCM Coincidencia de color estándar Desviación < 3 SDCM																					
Beam Angle 光束角 ángulo de haz	<table border="1"> <tr> <td>A1 @ 30W & 50W & 70W</td> <td>A2 @ 30W & 50W & 70W</td> <td>A3 @ 30W & 50W & 70W</td> </tr> <tr> <td>A4 @ 30W & 50W & 70W</td> <td>A5 @ 30W & 50W & 70W</td> <td>A6 @ 30W & 50W & 70W</td> </tr> <tr> <td>A7 @ 30W & 50W & 70W</td> <td></td> <td></td> </tr> <tr> <td>A8 @ 90W & 120W & 150W</td> <td>A9 @ 90W & 120W & 150W</td> <td>A10 @ 90W & 120W & 150W</td> </tr> <tr> <td>A11 @ 90W & 120W & 150W</td> <td>A12 @ 90W & 120W & 150W</td> <td>A13 @ 90W & 120W & 150W</td> </tr> <tr> <td>A14 @ 90W & 120W & 150W</td> <td>A15 @ 90W & 120W & 150W</td> <td>A16 @ 90W & 120W & 150W</td> </tr> <tr> <td>A17 @ 90W & 120W & 150W</td> <td>A18 @ 90W & 120W & 150W</td> <td></td> </tr> </table>	A1 @ 30W & 50W & 70W	A2 @ 30W & 50W & 70W	A3 @ 30W & 50W & 70W	A4 @ 30W & 50W & 70W	A5 @ 30W & 50W & 70W	A6 @ 30W & 50W & 70W	A7 @ 30W & 50W & 70W			A8 @ 90W & 120W & 150W	A9 @ 90W & 120W & 150W	A10 @ 90W & 120W & 150W	A11 @ 90W & 120W & 150W	A12 @ 90W & 120W & 150W	A13 @ 90W & 120W & 150W	A14 @ 90W & 120W & 150W	A15 @ 90W & 120W & 150W	A16 @ 90W & 120W & 150W	A17 @ 90W & 120W & 150W	A18 @ 90W & 120W & 150W	
A1 @ 30W & 50W & 70W	A2 @ 30W & 50W & 70W	A3 @ 30W & 50W & 70W																				
A4 @ 30W & 50W & 70W	A5 @ 30W & 50W & 70W	A6 @ 30W & 50W & 70W																				
A7 @ 30W & 50W & 70W																						
A8 @ 90W & 120W & 150W	A9 @ 90W & 120W & 150W	A10 @ 90W & 120W & 150W																				
A11 @ 90W & 120W & 150W	A12 @ 90W & 120W & 150W	A13 @ 90W & 120W & 150W																				
A14 @ 90W & 120W & 150W	A15 @ 90W & 120W & 150W	A16 @ 90W & 120W & 150W																				
A17 @ 90W & 120W & 150W	A18 @ 90W & 120W & 150W																					
luminaire Efficacy 燈具效率 La eficacia de la luminaria	<ul style="list-style-type: none"> • 130 Lm/w(3000K) @CRI >70 ; 120 Lm/w(3000K) @CRI >80 • 140 Lm/w(4000K) @CRI >70 ; 130 Lm/w(4000K) @CRI >80 • 140 Lm/w(5000K) @CRI >70 ; 130 Lm/w(5000K) @CRI >80 																					
LED Source Luminous Efficacy LED光源光效 Fuente luminosa LED Eficacia	<ul style="list-style-type: none"> • 150 Lm/w(3000K) @CRI >70 ; 140 Lm/w(3000K) @CRI >80 • 160 Lm/w(4000K) @CRI >70 ; 150 Lm/w(4000K) @CRI >80 • 160 Lm/w(5000K) @CRI >70 ; 150 Lm/w(5000K) @CRI >80 																					
Housing materials 外殼材料 Materiales de la carcasa	Die-cast aluminium and Tempered glass 壓鑄鋁和鋼化玻璃 Die fundición de aluminio y vidrio templado																					
Housing Color外殼顏色 color de la carcasa	Polyester powders Coating(RAL 9006 Silver).聚醃粉末塗料 (RAL 9006 銀灰色) Polvos de poliéster Revestimiento(RAL 9006 Plata).																					
Ingress Protection-防護等級 Protección de ingreso	IP66 - (IEC 60529)																					
Mech impact protection機械衝擊保護 Protección contra impactos mecánicos	IK08 (EN 62262: 2002)																					
Operating Temperature Range / 工作溫度範圍 Rango de temperatura de funcion amento	-30 °C / +50 °C																					
Storage Temperature儲藏溫度 Temperatura de almacenamiento	-40 °C / +70 °C																					
Operating Humidity -工作濕度 Humedad de funcionamiento	0~90%, non-condensing-不結霜 sin condensación																					
Dimension (LxWxH)/尺寸/Dimensión	• 649x272x179mm @ 30W & 50W & 70W 762x336x179mm @ 90W & 120W & 150W																					
Net Weight /淨重/Peso Neto	• 5.9 ± 0.3kg @ 30W & 50W & 70W 7.9± 0.3kg @ 90W & 120W • 8.1± 0.3kg @ 150W																					
Packing box size/包裝箱尺寸 Tamaño de la caja de embalaje	• 687x312x160mm @ 30W & 50W & 70W • 816x376x160mm @ 90W & 120W & 150W																					
Certificate Standard Complied 符合安規標準 estándar certificado de cumplimiento	LED Luminaries: LVD: IEC/EN 60598-1;EN / IEC/EN 60598-2-3;IEC62471;IEC/EN 62031; IEC/EN 62493 ; IEC/EN 62471 (Exempt Group) EMC: EN55015 ; IEC/EN 61000-3-2; IEC/EN 61000-3-3;IEC/EN61574 ; RoHS LED Driver: IEC/EN 61347-1; IEC/EN 61347-2-13; IEC/EN 62384; IEC/EN 61000-3-2; IEC/EN 61000-3-3;IEC/EN61574;EN 55015 ; IEC /EN 62384																					

Certification-認證-Certificación



Project	Fixture#	Date
		Firm

Ordering Information

Choose the option that suits your need and write its corresponding code on the appropriate line to form the product code.

Example product code: [STEE-150W-SW](#)

STEE - -

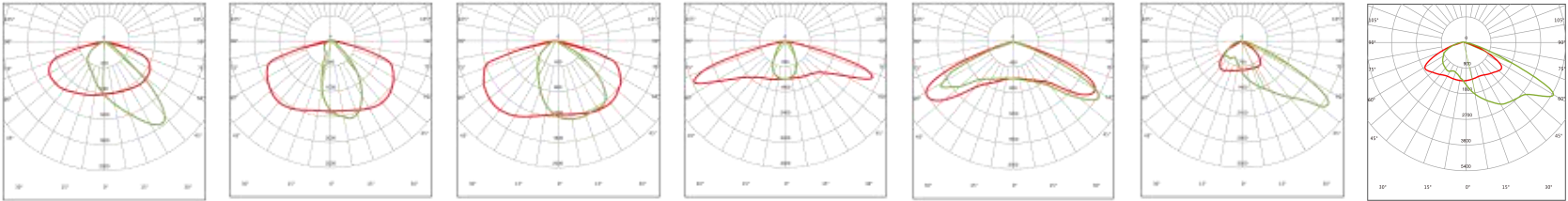
POWER
CONSUMPTION

POWER CONSUMPTION	
Code	Description
30W	30W
50W	50W
70W	70W
90W	90W
120W	120W
150W	150W



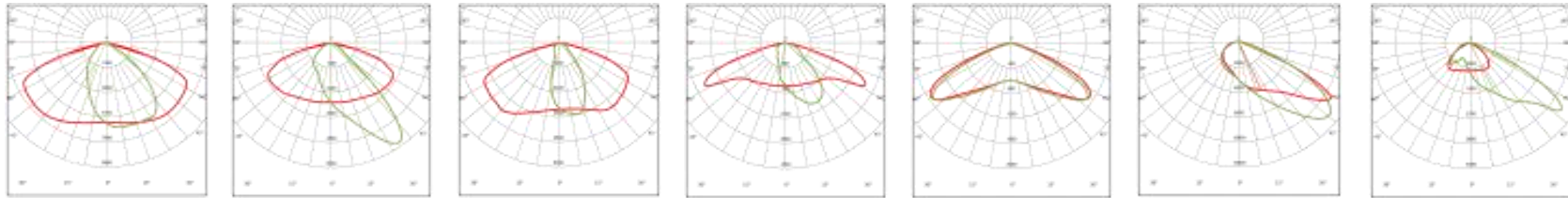
BEAM ANGLE

30W-70W

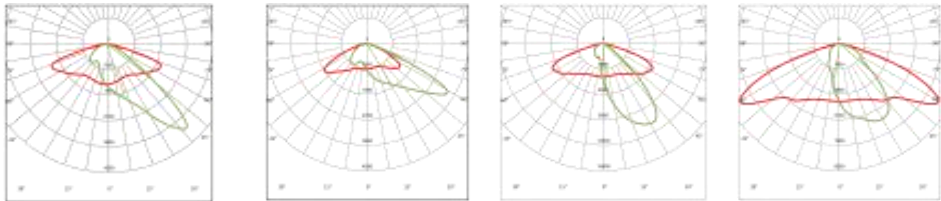


A1 A2 A3 A4 A5 A6 A7

90W-150W



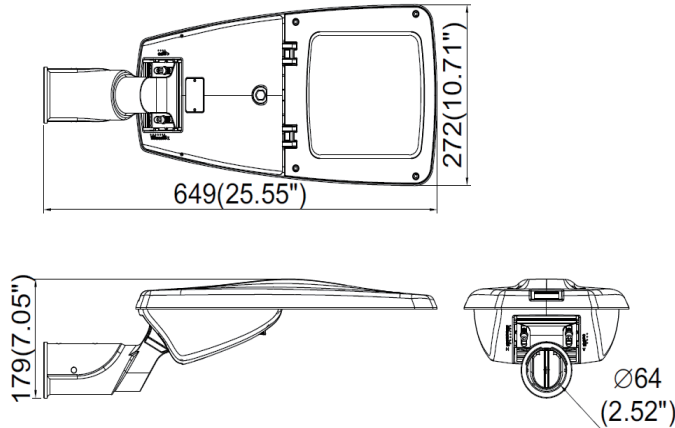
A8 A9 A10 A11 A12 A13 A14



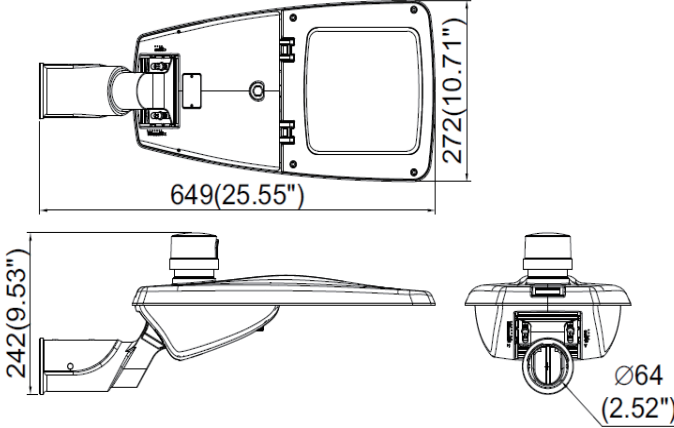
A15 A16 A17 A18

Technical Drawing

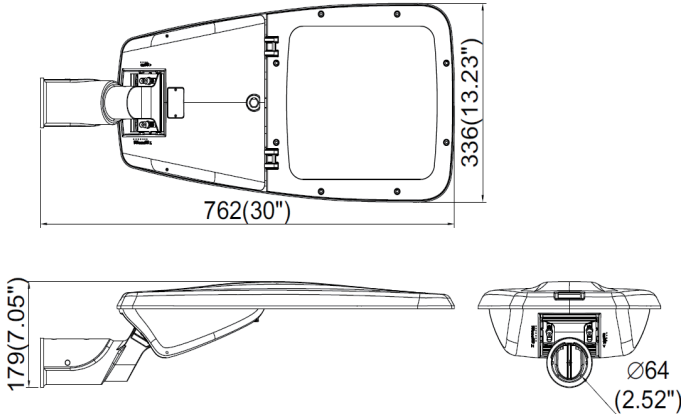
30W,50W,70W



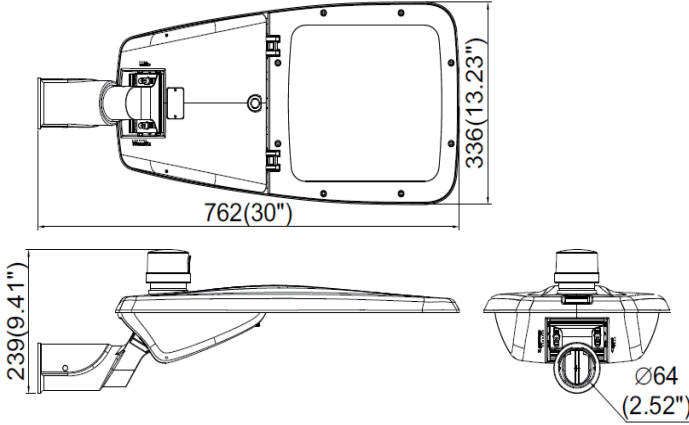
30W,50W,70W with Photocell



90W,120W,150W



90W,120W,150W with Photocell



Unit: mm

Mounting Type & Accessories

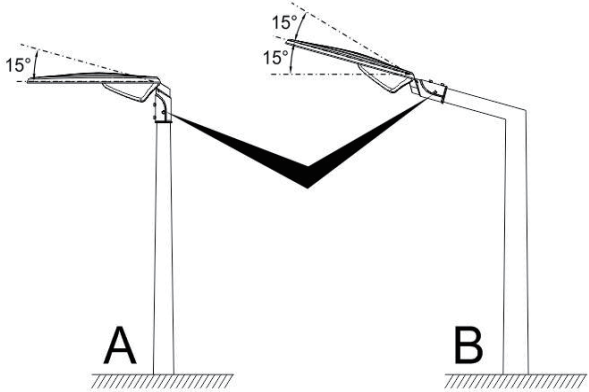
Mounting Options



Horizontal



Vertical



Adjustable Angle

Accessories

φ 34mm Spigot



3pin NEMA Socket



φ 42mm



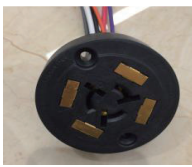
5pin NEMA Socket



φ 60mm



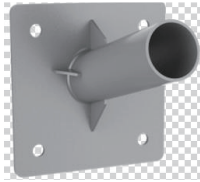
7pin NEMA Socket



φ 76mm



wall mount



Unit: mm