

# STELLA

20W-200W IP66



LED STREET LIGHTING is finished by Die-cast aluminium with separated and integrated LED Driver Box, with surface anti-ageing electrostatic spray processing,super resistance to corrosion and rotated bracket, Gaskets in anti-aging rubber , tempered clear Glass and Heat Resisting Cable. It's as well a great alternative to urban furniture due to its IP protection rating and IK08 Impact protection, anti-corrosion and vibration test approved,durable and state-of-the-art fixture.Designed for roadway and parking lot area,replace traditional street and area light with quick payback and superior performance. Adopt modular light distribution Lens and super clear tempered glass. Button design for opening LED driver box for easy power circuit connection. And, It is able to be controlled by 1-10V,DALI,Zigbee dimming system. LED module: SMD 3030, CRI>80 up to 160lm/w. TM21 L70 performance approve >60,000 hours; Fixing: Top or side fitting for pole with adjustable bracket.

## Technical Data

Luminaire Type-安裝方式 Tipo de luminaria	Arm Mounting / Pole Mounting / Bracket Mounting-臂安裝/杆安裝/支架安裝 Brazo de montaje / montaje / poste de montaje del soporte
Power Consumption with LED Driver LED燈具包括LED驅動電源功率 Consumo de energía con controlador de LED	<ul style="list-style-type: none"> <li>• 20W 30W 40W @ Mini Size</li> <li>• 60W 75W 100W @ Small Size</li> <li>• 120W @ Medium Size</li> <li>• 150W 180W 200W @ Large Size</li> </ul>
Input Voltage / 輸入電壓 Voltaje de entrada	100-240 VAC 50-60Hz
Control 控制 Control	<ul style="list-style-type: none"> <li>• SW -ON/OFF</li> <li>• 1-10V / DALI</li> <li>• 5-Step Time ( programmable LED driver dimming rate in 5 time zone )</li> <li>• NEMA photocell (3PIN) with SW- ON/OFF ( Pre Setting Lux level : Light ON: 6 lux ON , Light Off: 50lux)</li> <li>• NEMA photocell (5PIN) with 0-10V Dimming for auto adjustment in brightness</li> <li>• NEMA photocell (5PIN) with Dali Dimming Control for auto adjustment in brightness</li> <li>• Zigbee Wireless Control</li> </ul>
Power Factor / 功率因數/Factor de potencia	PF>0.94
Total Harmonic Distortion/總諧波失/Distorsión armónica total	THD<18%
Protection Against Surges/防護措施/ PROTECCIÓN CONTRA LAS PROMOCIONES:	<ul style="list-style-type: none"> <li>• 6kV line-line,</li> <li>• 10kV line-earth</li> </ul>
Light Source Brand-光源品牌-Fuente de luz de marca	NICHIA JAPAN
Photobiological safety-IEC 62471 / of Luminaire 光生物安全檢驗(IEC/EN 62471) 結果: Seguridad fotobiológica-IEC 62471	RG1 -Risk Group 1 1 類危險 (低危) RG1 - Grupo de riesgo 1
"Lumen Maintenance LM-80 Reported by ISTM &TM-21"	L70 > 215,000hrs @70W &50W&40W&38W&30W L70 > 212,000hrs @90W&80W&75W L70 > 202,000hrs @120W &110W L70 > 189,000hrs @150W & 140W L70 > 164,000hrs @180W&200W
LED Life-LED壽命-La vida del LED	>60,000 hours
Color Temperature-色溫 Temperatura y color	3000K 4000K 5000K
Color Rendering Index-顯色指數 Índice de reproducción cromática	>70 or >80
MacAdam Ellipses Binning 麥克亞當橢圓分級 Mac Adam binning ellipse	Standard Deviation Colour Matching < 3 SDCM 標準偏差配色 < 3 SDCM Coincidencia de color estándar Desviación < 3 SDCM
Beam Angle-光束角-ángulo de haz	<ul style="list-style-type: none"> <li>• A1610 A1602 A1603 A1604 A1605</li> <li>• A1606 A1609 A1610 A1611 A1613</li> </ul>
Luminaire Efficacy 燈具效率 La eficacia de la luminaria	<ul style="list-style-type: none"> <li>• 150 Lm/w(3000K) @CRI &gt;70; 160 Lm/w(4000K) @CRI &gt;70 170 Lm/w(5000K) @CRI &gt;70</li> <li>• 140 Lm/w(3000K) @CRI &gt;80; 150 Lm/w(4000K) @CRI &gt;80 160 Lm/w(5000K) @CRI &gt;80</li> </ul>
LED Source Luminous Efficacy LED光源光效 Fuente luminosa LED Eficacia	<ul style="list-style-type: none"> <li>• 183 Lm/w(3000K) @CRI &gt;70; 193 Lm/w(4000K) @CRI &gt;70; 201 Lm/w(5000K) @CRI &gt;70;</li> <li>• 174 Lm/w(3000K) @CRI &gt;80; 183 Lm/w(4000K) @CRI &gt;80; 193 Lm/w(5000K) @CRI &gt;80</li> </ul>
Housing materials 外殼材料 Materiales de la carcasa	Die-cast aluminium and Tempered glass --壓鑄鋁和鋼化玻璃--Die fundición de aluminio y vidrio templado
Housing Color 外殼顏色 color de la carcasa	Polyester powders Coating(RAL 9006 Silver). 聚酯粉末塗料 (RAL 9006 銀灰色) Polvos de poliéster Revestimiento(RAL 9006 Plata).
Ingress Protection-防護等級 Protección de ingreso	IP66 - (IEC 60529)
Mech impact protection 機械衝擊保護 Protección contra impactos mecánicos	IK09 ( EN 62262: 2002)
Operating Temperature Range / 工作溫度範圍 Rango de temperatura de funcionamiento	-30 °C / +50 °C / -22 °F / +122 °F
Storage Temperature 儲藏溫度 Temperatura de almacenamiento	-40 °C / +70 °C / -40 °F / +158 °F
Operating Humidity -工作濕度 Humedad de funcionamiento	0~90%, non-condensing-不結霜 sin condensación
Dimension (LxWxH)/尺寸/ Dimensión	<ul style="list-style-type: none"> <li>• 558*220*199mm @ Mini size @ Side entry</li> <li>• 658*220*201mm @ Small size @ Side entry</li> <li>• 713*270*202mm @ Medium size @ Side entry</li> <li>• 783*285*204mm @ Large size @ Side entry</li> </ul> For more detail, please refer to technical drawing
Net Weight /淨重/Peso Neto	<ul style="list-style-type: none"> <li>• 3.05±0.3kg @ Mini Size</li> <li>• 4.15±0.3kg @ Small Size</li> <li>• 5.2±0.3kg @ Medium Size</li> <li>• 6.4±0.3kg @ Large Size</li> </ul>
Gross Weight/ 毛重 / Peso bruto	<ul style="list-style-type: none"> <li>• 4.7±0.3kg @ Mini Size</li> <li>• 5.9±0.3kg @ Small Size</li> <li>• 7.2±0.3kg @ Medium Size</li> <li>• 8.5±0.3kg @ Large Size</li> </ul>
Packing box size/包裝箱尺寸 Tamaño de la caja de embalaje	<ul style="list-style-type: none"> <li>• 605*270*165mm @ Mini Size</li> <li>• 710*270*165mm @ Small Size</li> <li>• 770*320*165mm @ Medium Size</li> <li>• 840*335*165mm @ Large Size</li> </ul>
Certificate Standard Complied 符合安規標準 estándar certificado de cumplimiento	LED Luminaries: LVD: IEC/EN 60598-1;EN / IEC/EN 60598-2-3;IEC62471;IEC/EN 62031; IEC/EN 62493 ;RoHS LED Driver: IEC/EN 61347-1; IEC/EN 61347-2-13; IEC/EN 62384; IEC/EN 61000-3-2; IEC/EN 61000-3-3;IEC/EN61574;EN 55015 ; IEC /EN 62384

Certification-認證-Certificación



Project	Fixture#	Date
		Firm



## Ordering Information

Choose the option that suits your need and write its corresponding code on the appropriate line to form the product code.

Example product code: [STELLA-200W](#)

STELLA - -

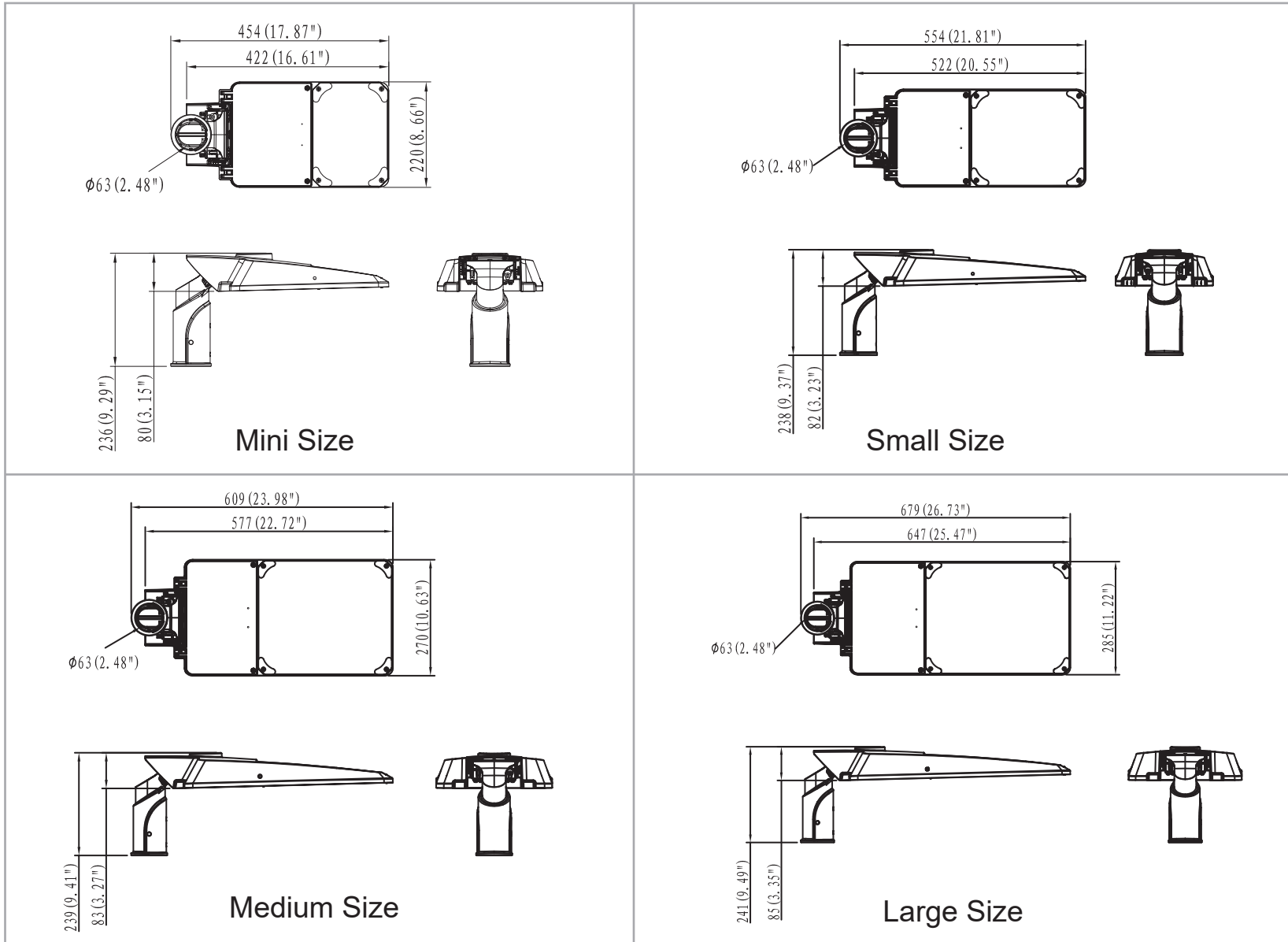
POWER  
CONSUMPTION

POWER CONSUMPTION	
Code	Description
<a href="#">20W</a>	20W @ Mini Size
<a href="#">30W</a>	30W @ Mini Size
<a href="#">40W</a>	40W @ Mini Size
<a href="#">60W</a>	60W @ Small Size
<a href="#">75W</a>	75W @ Small Size
<a href="#">100W</a>	100W @ Small Size
<a href="#">120W</a>	120W @ Medium Size
<a href="#">150W</a>	150W @ Large Size
<a href="#">180W</a>	180W @ Large Size
<a href="#">200W</a>	200W @ Large Size



# Technical Drawing

## Post Top



Technical Drawing

Side Entry

