

STRANCE G3

W:18xH:10mm Horizontal Bending Neon Light



LED silicone neon light is an ideal flexible linear lighting solution. Adopted first-class eco-friendly food-grade silicone material, our silicone neon light comes with a wide array of features allowing lighting designers and specifiers the ability to select the right lights.

New technology CO-Extrusion enables the product higher quality and more durable.

Side-view 10x18mm LED silicone light with non-dot high performance homogeneous light, makes it perfect for architectural and illumination.

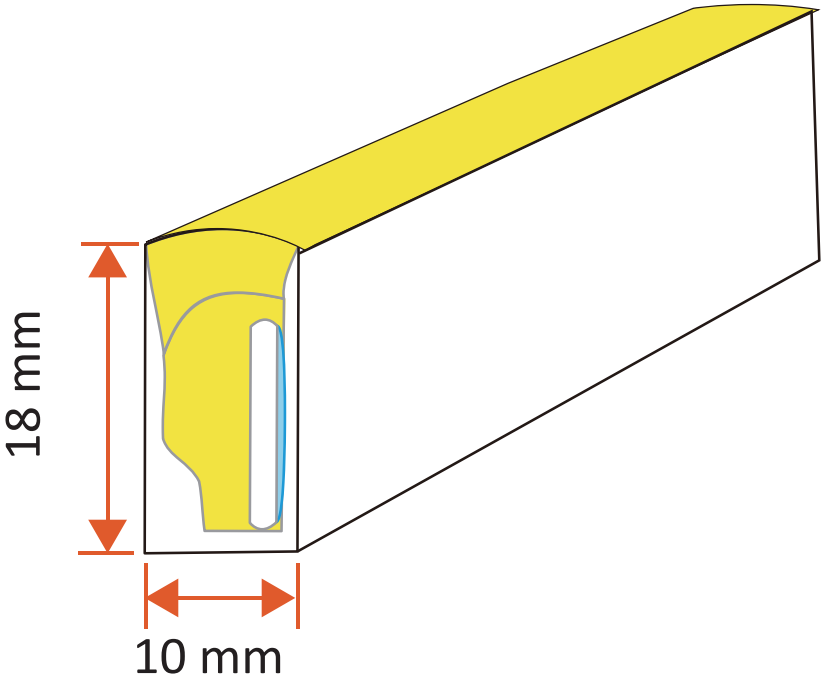
Technical Data

Luminaire Type/ 安裝方式/ Tipo de luminaria	Surface Mounted Type 明裝式燈具 Superficie Tipo Montado 5M / Roll 5M/卷 5M / Rollo
Power Consumption Max/LEDs Qty 燈具最大功率/ LED 燈珠數量 Consumo de energía Máx. / Cantidad de LED	5W / Meter @ 60 / 120 PCS LED 6W / Meter @ 60 / 120 PCS LED 8W / Meter @ 60 / 120 PCS LED 10W / Meter @ 60 / 120 PCS LED Cutting Length: 50mm / 33.3mm
LED Driver Type LED驅動款式 Tipo de controlador LED	Remote-type LED Driver--Refer to LED driver specification 請參閱LED驅動器規格 Consulte la especificación de controlador de LED 1. ON/OFF Switch AC220-240V 50/60HZ 2. 1-10V Dimming Driver AC220-240V 50/60HZ 3. DALI Dimming Driver AC220-240V 50/60HZ(Dimming range from 1-100%) 4. DMX Driver AC220-240V 50/60HZ (Dimming range from 0-100%) 5. RDM Driver AC220-240V 50/60HZ(Dimming range from 0-100%)
Control Protocol-控制協議 Protocolo de Control	DMX 512A / RDM / 1-10V / DALI
Input Voltage / 輸入電壓 Voltaje de entrada	DC24V DC12V
Color / Color Temperature 顏色或色溫 Color / Temperatura de color	2700K / 3000K / 4000K / 5000K / 6500K RGB / RGBW
Color Rendering Index-顯色指數 Índice de reproducción cromática	> 80 >90
"Lumen Maintenance LM-80 Reported by TM-21"	L70 >54,000 hrs
Beam Angle/光束角 ángulo de haz	120°
Type of Light Source / 光源類型 Fuente de luz de marca	SMD 5050 SMD 2835
LED Life/LED壽命/La vida del LED	>100,000 hours
MacAdam Ellipses Binning 麥克亞當橢圓分級 Mac Adam binning elipse	Standard Deviation Colour Matching < 3 SDCM 標準偏差配色 < 3 SDCM Coincidencia de color estándar Desviación < 3 SDCM
Luminaire Efficacy-燈具效率 La eficacia de la luminaria	25 Lm/w(2700K) 30Lm/w(3000K) 35 Lm/w(4000K) 40 Lm/w(5000K), 40 Lm/w(6500K),
Housing materials/外殼材料 Materiales de la carcasa	Silicone material 矽膠材質 material de silicona
Bending Direction 可彎曲方向 Dirección de flexión	Horizontal Bending / 水平彎曲 Doblado Horizontal
Max Length Feed 單組最大連接長度 Alimentación de longitud máx.	7m @ Single Feed 單端通電 15m @ Double Feed 兩端通
Operating Temperature Range / 工作溫度範圍 Rango de temperatura de funcionamiento	-20 °C / +50 °C
Operating Humidity -工作濕度 Humedad de funcionamiento	0~90%, non-condensing-不結霜 sin condensación
Ingress Protection/ 防護等級 Protección de ingreso	IP68
Dimension/尺寸/Dimensión	W: 18 x H: 10mm
Comply Testing Standard 符合測試標準 Cumplir el estándar de prueba	LED Luminaries: LVD: IEC/EN 60598-1;EN / IEC/EN 60598-2-1;IEC62471;IEC/EN 62031; IEC/EN 62493 ; IEC/EN 62471 (Risk Group 1) LED Driver: IEC/EN 61347-1; IEC/EN 61347-2-13; IEC/EN 62384; IEC/EN 61000-3-2; IEC/EN 61000-3-3;IEC/EN61574;EN 55015 ; IEC /EN 62384

Certification-認證-Certificación

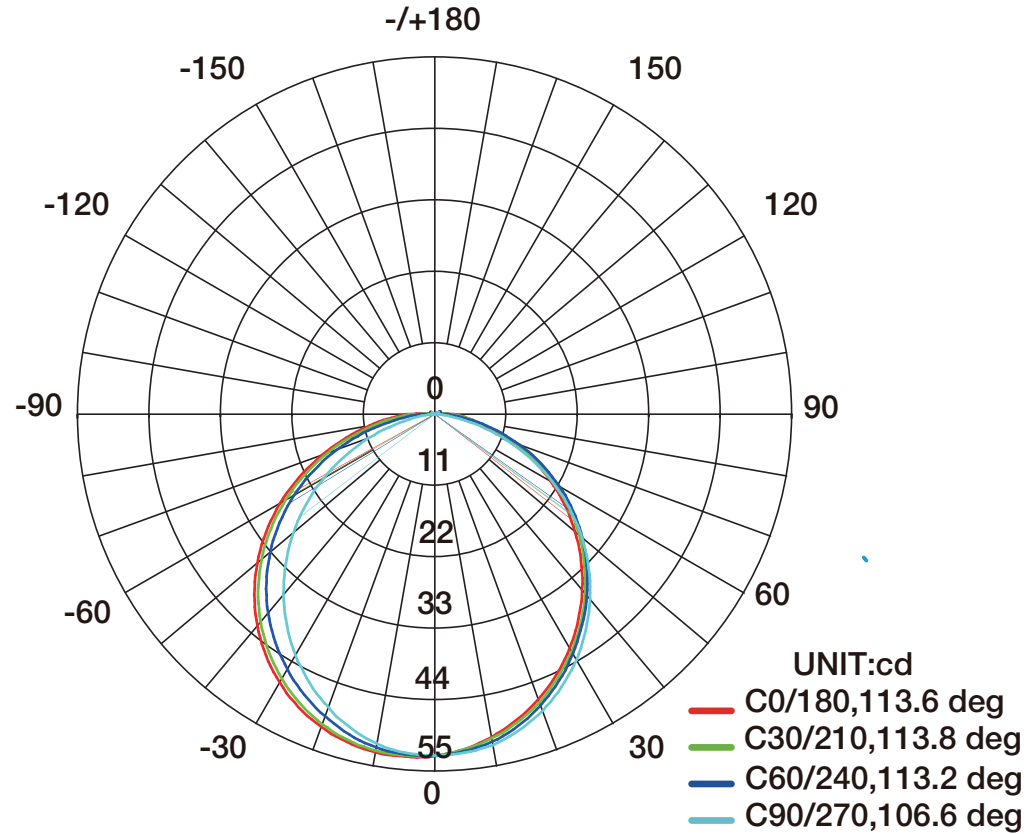


Technical Drawing



Unit: mm

BEAM ANGLE



AVERAGE BEAM ANGLE(50%):111.8 DEG

Project	Fixture#	Date
		Firm



Ordering Information

Choose the option that suits your need and write its corresponding code on the appropriate line to form the product code.

Example product code: [STRANCE-10W](#)

STRANCE-G3 - - _____
Power Consumption

Power Consumption	
Code	Description
5W	5W / Meter
6W	6W / Meter
8W	8W / Meter
10W	10W / Meter