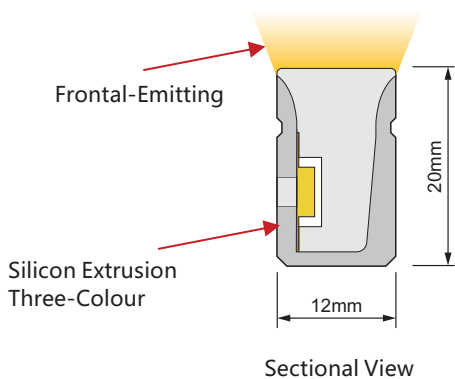









STRANE

Side Bending W:12xH:20mm 15W Max IP68



- Front emitting for homogeneous, soft & dot-free lighting
- Luminous surface Material: Flat shape Anti-UV diffused Ivory White PVC under ISO4892-3 Test
- First-class eco-friendly UV-resistant PVC material under ISO4892-3 Test
- Full encapsulated with IP68 Level
- Side Bending.

Technical Data

Luminaire Type/ 安裝方式/ Tipo de luminaria Min. Cutting LED/Min. Cutting Length	Surface Mounted Type 明裝式燈具 Superficie Tipo Montado 8 LEDs / 25mm																		
Power Consumption Max 燈具最大功率 Consumo de energía Máx.	<ul style="list-style-type: none"> • 5W / Meter 120 Leds/meter LED pitch: 8.33mm • 10W / Meter 120 Leds/meter LED pitch: 8.33mm • 15W / Meter 120 Leds/meter LED pitch: 8.33mm 																		
LED Driver Type LED驅動款式 Tipo de controlador LED	Remote-type LED Driver--Refer to LED driver specification 請參閱LED驅動器規格 Consulte la especificación de controlador de LED 1. ON/OFF Switch AC220-240V 50/60HZ 3. 0-10V Dimming Driver AC220-240V 50/60HZ 4. Dali Dimming Driver AC220-240V 50/60HZ (Dimming range from 0-100%) 5. DMX Driver AC220-240V 50/60HZ (Dimming range from 0-100%) 6. RDM Driver AC220-240V 50/60HZ (Dimming range from 0-100%)																		
Control Protocol-控制協議 Protocolo de Control	1-10V / Dali / DMX 512																		
Input Voltage / 輸入電壓 Voltaje de entrada	DC24V																		
Color / Color Temperature 顏色或色溫 Color / Temperatura de color	<ul style="list-style-type: none"> • 2000K / 2400K / 2700K / 3000K / 4000K / 5000K / 6500K • RED 620-630nm • GREEN 520-530nm • BLUE 465-475nm • AMBER 585-595nm • RGB • RGBW • Tunable White (2000K + 6000K) 																		
Color Rendering Index-顯色指數 Índice de reproducción cromática	> 80 @ Mono White >90 @ Mono White																		
"Lumen Maintenance LM-80 Reported by TM-21"	L70(10k) > 63,500 hrs																		
Beam Angle/光束角 ángulo de haz	120°																		
Light Source Brand/光源品牌 Fuente de luz de marca	SMD 2835 LED																		
LED Life/LED壽命/La vida del LED	>100,000 hours																		
MacAdam Ellipses Binning 麥克亞當橢圓分級 Mac Adam binning ellipse	Standard Deviation Colour Matching < 3 SDCM標準偏差配色 < 3 SDCM Coincidencia de color estándar Desviación < 3 SDCM																		
Luminaire Efficacy-燈具效率 La eficacia de la luminaria	<ul style="list-style-type: none"> • 35 Lm/w(2000K & 2400K & 2700K & (3000K) 40 Lm/w(4000K) 45 Lm/w (5000K / 6500K) • 15 Lm/w @ Red 620~630nm 7 Lm/w @ Blue 465~475nm • 70 Lm/w @ Green 520~530nm 14Lm/w @ Amber 585~595nm • RGB Color : 16Lm/w @ Full Loading • RGBW Color :26Lm/w @ Full Loading • Tunable White : 30Lm/w @ Full Loading 																		
Housing materials/外殼材料 Materiales de la carcasa	Silicon Extrusion 矽膠擠壓 Extrusión de silicio																		
Bending Direction 可彎曲方向 Dirección de flexión	Horizontal Bending @ Top Light up 水平彎曲@向上發光																		
Min. Bending 燈具最小彎曲度 Flexión mínima	Dia 120 mm																		
Max Length Feed 單組最大連接長度 Alimentación de longitud máx.	<table border="0"> <tr> <td>5W Mono Color :</td> <td>20m @ Single Feed 單端通電</td> <td>40 m @ Double Feed 兩端通</td> </tr> <tr> <td>5W@RGB & RGBW:</td> <td>5m @ Single Feed 單端通電</td> <td>10 m @ Double Feed 兩端通</td> </tr> <tr> <td>10W Mono Color :</td> <td>15m @ Single Feed 單端通電</td> <td>30m @ Double Feed 兩端通</td> </tr> <tr> <td>10W@RGB & RGBW:</td> <td>5m @ Single Feed 單端通電</td> <td>10 m @ Double Feed 兩端通</td> </tr> <tr> <td>15W Mono Color :</td> <td>12m @ Single Feed 單端通電</td> <td>24m @ Double Feed 兩端通</td> </tr> <tr> <td>15W@RGB & RGBW:</td> <td>5m @ Single Feed 單端通電</td> <td>10 m @ Double Feed 兩端通</td> </tr> </table>	5W Mono Color :	20m @ Single Feed 單端通電	40 m @ Double Feed 兩端通	5W@RGB & RGBW:	5m @ Single Feed 單端通電	10 m @ Double Feed 兩端通	10W Mono Color :	15m @ Single Feed 單端通電	30m @ Double Feed 兩端通	10W@RGB & RGBW:	5m @ Single Feed 單端通電	10 m @ Double Feed 兩端通	15W Mono Color :	12m @ Single Feed 單端通電	24m @ Double Feed 兩端通	15W@RGB & RGBW:	5m @ Single Feed 單端通電	10 m @ Double Feed 兩端通
5W Mono Color :	20m @ Single Feed 單端通電	40 m @ Double Feed 兩端通																	
5W@RGB & RGBW:	5m @ Single Feed 單端通電	10 m @ Double Feed 兩端通																	
10W Mono Color :	15m @ Single Feed 單端通電	30m @ Double Feed 兩端通																	
10W@RGB & RGBW:	5m @ Single Feed 單端通電	10 m @ Double Feed 兩端通																	
15W Mono Color :	12m @ Single Feed 單端通電	24m @ Double Feed 兩端通																	
15W@RGB & RGBW:	5m @ Single Feed 單端通電	10 m @ Double Feed 兩端通																	
Operating Temperature Range / 工作溫度範圍 Rango de temperatura de funcionamiento	-30 °C / +50 °C																		
Operating Humidity -工作濕度 Humedad de funcionamiento	0~90%, non-condensing-不結霜 sin condensación																		
Ingress Protection/ 防護等級 Protección de ingreso	IP68 - (IEC 60529)																		
Weight/m 重量/米 Peso/m	300g / meter																		
Dimension/尺寸/Dimensión	W: 12 x H: 20mm																		
Comply Testing Standard 符合測試標準 Cumplir el estándar de prueba	LED Luminaries: LVD: IEC/EN 60598-1;EN / IEC/EN 60598-2-1;IEC62471;IEC/EN 62031; IEC/EN 62493 ; IEC/EN 62471 (Risk Group 1) LED Driver: IEC/EN 61347-1; IEC/EN 61347-2-13; IEC/EN 62384; IEC/EN 61000-3-2; IEC/EN 61000-3-3;IEC/EN61574;EN 55015 ; IEC /EN 62384																		
Certification-認證-Certificación	      																		

Project	Fixture#	Date
		Firm



Ordering Information

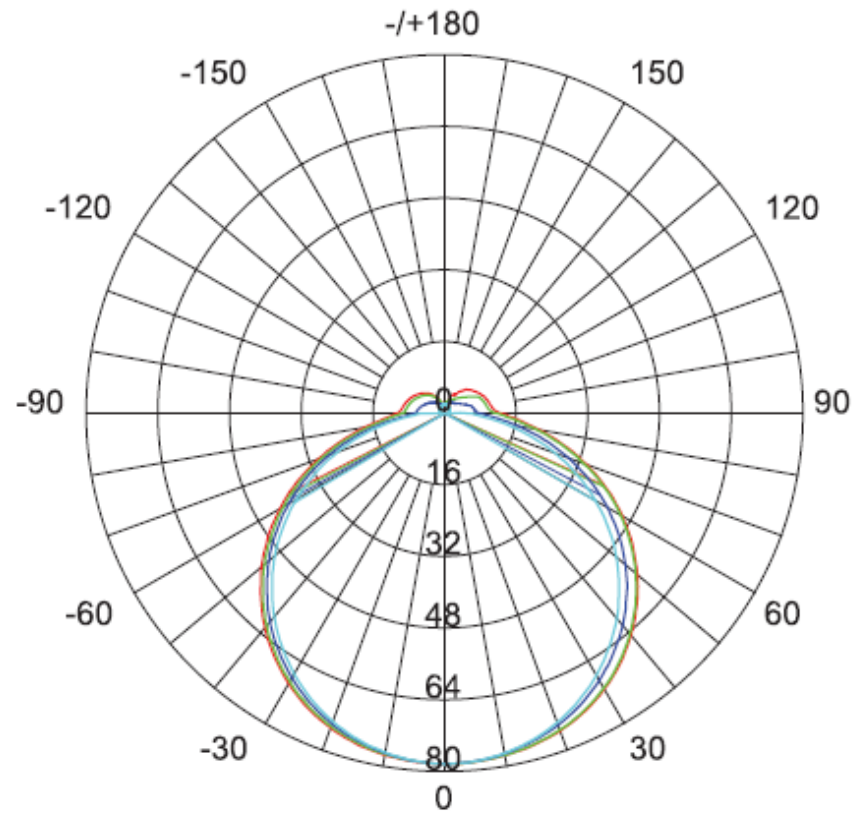
Choose the option that suits your need and write its corresponding code on the appropriate line to form the product code.

Example product code: [STRAN-10W](#)

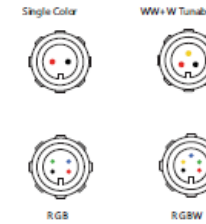
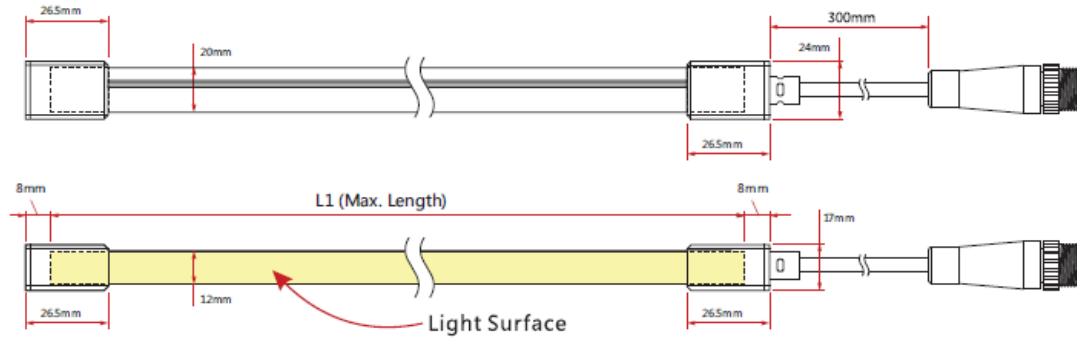
STRANE - - _____
 [Power Consumption](#)

Power Consumption	
Code	Description
5W	5W / Meter
10W	10W / Meter
15W	15W / Meter

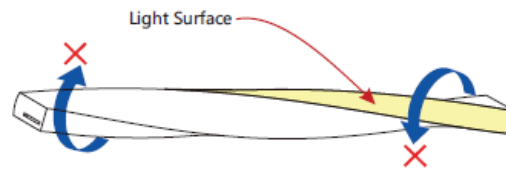
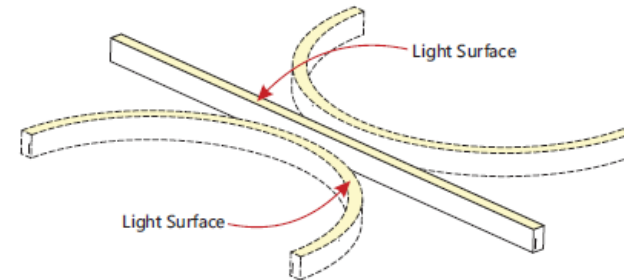
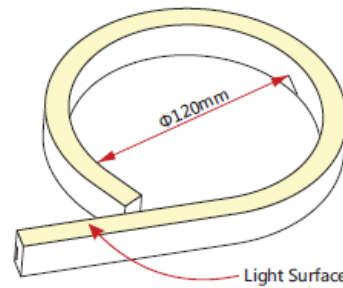
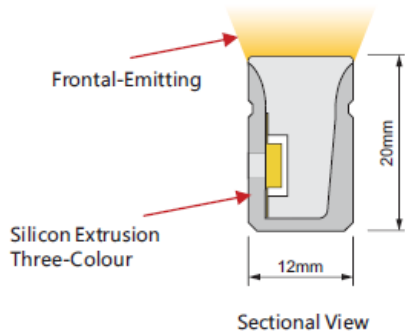
Beam Angle



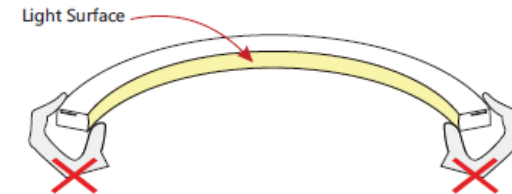
Technical Drawing



Unit: mm



Do not twist this LED Neon Flex! Otherwise LED & Resistor & internal circuit will be broken.



Do not bending the LED Neon Flex horizontally otherwise LED & Resistor will be broken.

Accessory

Connectors & Aluminum Profile

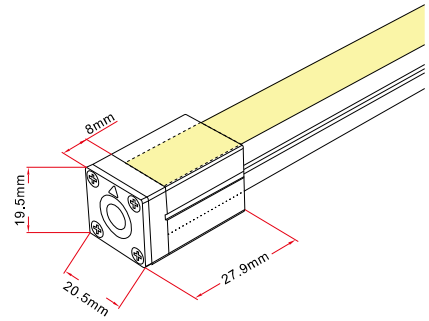
1.1 Transparent PC Fast End Cap



Fast End Cap

Termination Protection of the light, IP67 DIY connector

Transparent PC Mounting piece *1
Transparent PC Stopper *1
Transparent PC Anti-skidding Clip *1
Waterproof Rubber Gasket *1
Transparent PC Pads *1
Metal Blank End *1
Screws *4



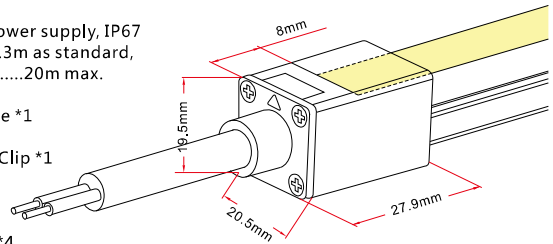
1.2 Transparent PC Fast Connector



Fast Tail Connector

Connecting the neon flex to power supply, IP67 DIY connector, cable length: 0.3m as standard, Available Customized in 0.5m.....20m max.

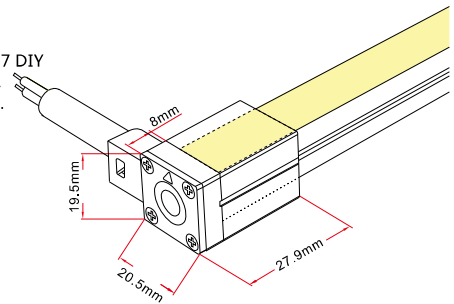
Transparent PC Mounting piece *1
Transparent PC Stopper *1
Transparent PC Anti-skidding Clip *1
Waterproof Rubber Gasket *1
Transparent PC Pads *1
Metal Blank End *1
Tail Connector *1 Screws *4



Fast Side-edge Connector

Connecting neon flex to power supply, IP67 DIY connector, cable length: 0.3m as standard, Available Customized in 0.5m.....20m max.

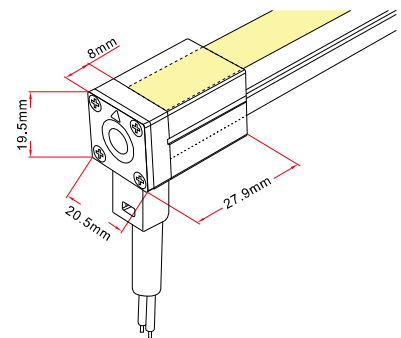
Transparent PC Mounting piece *1
Transparent PC Stopper *1
Transparent PC Anti-skidding Clip *1
Waterproof Rubber Gasket *1
Transparent PC Pads *1
Metal Blank End *1
Side-edge Connector *1 Screws *4



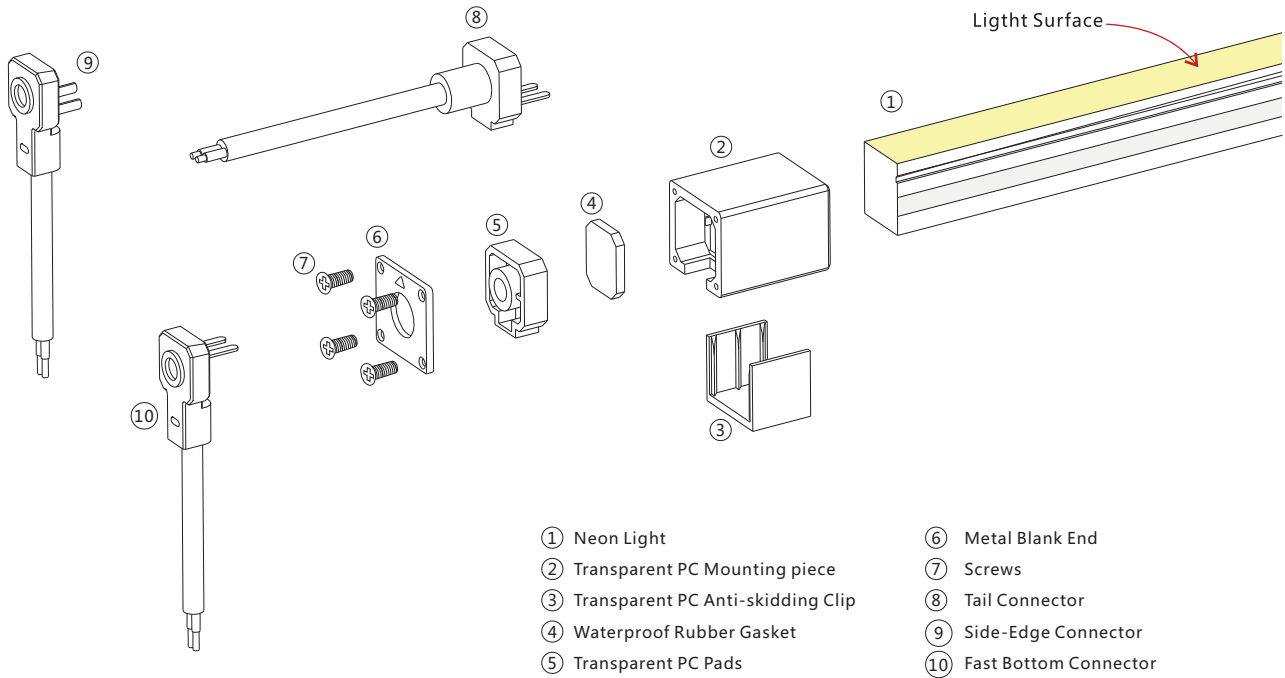
Fast Bottom Connector

Connecting neon flex to power supply, IP67 DIY connector, cable length: 0.3m as standard, Available Customized in 0.5m.....20m max.

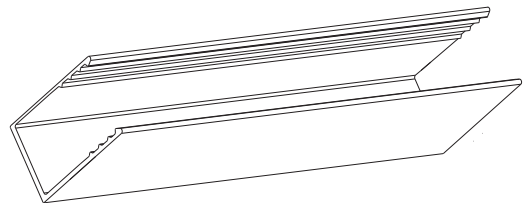
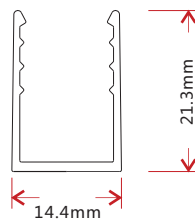
Transparent PC Mounting piece *1
Transparent PC Stopper *1
Transparent PC Anti-skidding Clip *1
Waterproof Rubber Gasket *1
Transparent PC Pads *1
Metal Blank End *1
Bottom Connector *1 Screws *4



1.3 Exploded Drawing



1.4 Aluminum Profile

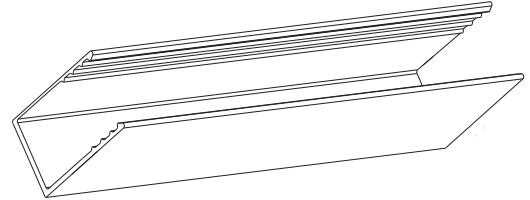
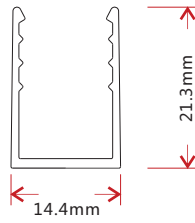
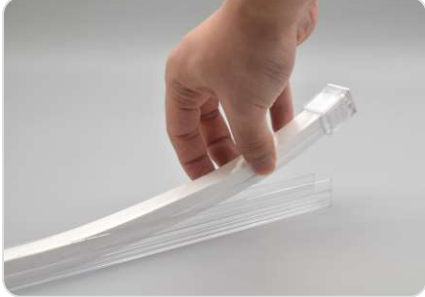


Code	W*H(mm)	Standard Length(mm)	Matching Neon Light Length(mm)	Screw Hole (mm)	Hole Number
DM-N1615-005	19*18	455	500	Φ3.5	2
		955	1000	Φ3.5	3
		1455	1500	Φ3.5	4
		1955	2000	Φ3.5	5

Notes:

1. Aluminum Profiles's raw material is 6063 AL, silvery colour and anodizing as stadard, white/black paint available;
2. These are the AL Profile recommended cutting length, in order to matching the different length of Neon Light;
3. Any customized Length available too, such as 1.2m or 1.4oy or 3.5m, and 5m length maximum;
4. Each 0.3m length with 1 hole and 1 screw, and installation referece to the user manual;

1.5 Trasparent PC Profile

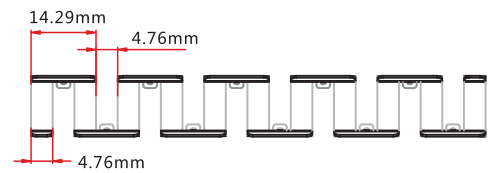
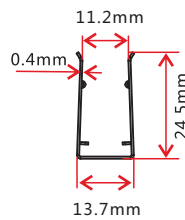
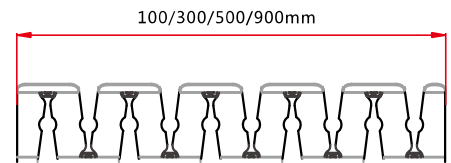
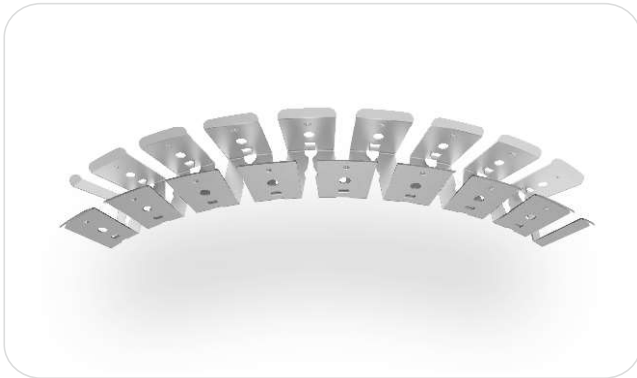


Code	W*H(mm)	Standard Length(mm)	Matching Neon Light Length(mm)	Screw Hole (mm)	Hole Number
DM-N1615-005	19*18	455	500	Φ3.5	2
		955	1000	Φ3.5	3
		1455	1500	Φ3.5	4
		1955	2000	Φ3.5	5

Notes:

1. This transparent Profiles's raw material is PC, and the customized milky color possible too;
2. These are the Profile recommended cutting length, in order to matching the different length of Neon Light;
3. Any customized Length available, installation referece to the user manual;

1.6 Curve Stainless Steel Profile

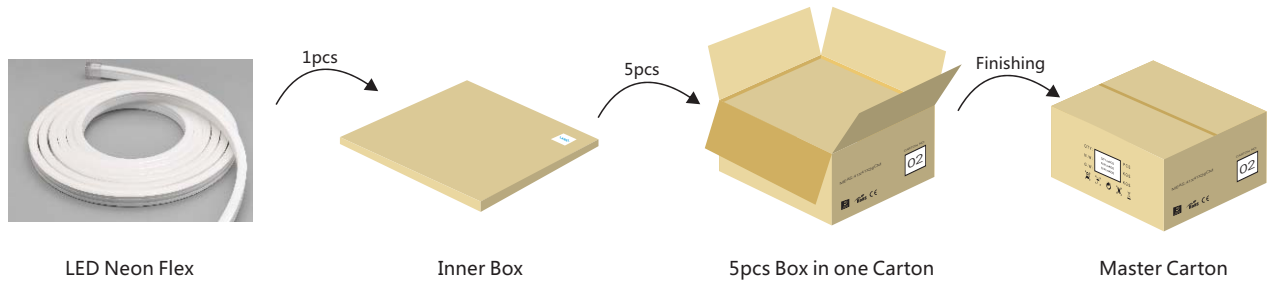


Model: DM-SQ-DW-CH

Note: Unless otherwise stated, the tolerance of the profile is $\pm 0.5\text{mm}$

Packaging Information

1.7 Packaging Method



Packaging Details	White Box Dimension (cm)	Carton Dimension (cm)	Numbers of White Box	Carton Weight (kg)
Light Length	Inner Box Dimension (cm)	Carton Dimension (cm)	Number of inner box	Carton Weight (kg)
<4.5m	40*40*5	44*44*24	4	<6.4
5-8m	52*52*5	56*56*24	4	7.4-11.4
10m	61*61*5	65*65*24	4	14.0
15m	68*68*5	71*71*13	2	10.5
20m	74*74*5	76*76*13	2	14.2