

## TAKEX









20W Max IP20



**Surface Mounted Type**

- Track light. Housing: die-cast aluminium with powder-coated,
- Minimalist design, beautiful and easy to install
- Classic black and white presentation, suitable for versatile scenes
- Built-in flicker free constant current driver, high power factor, stable performance
- The lamp can be rotated 350° horizontally and 90° vertical for multi-directional illumination
- High CRI and Anti-glare Control

## Technical Data

Luminaire Type-安裝方式Tipo de luminaria	<ul style="list-style-type: none"> <li>Track Mounted Type 軌道燈具Tipo de huella Montado</li> <li>Surface Mounted Type 明裝燈具 Tipo montado en superficie</li> </ul>
Dimension-尺寸-Dimensión	Track Mounted: DIA 52 x H:220 mm or Dia 55 x H: 235mm Surface Mounted: Dia 52x H: 216 mm or Dia 55 x H: 234mm
QTY of LEDs-燈珠數量-CANT de LEDs	1 pcs CREE LED Array
Input Voltage-輸入電壓-Voltaje de entrada	AC220-240V 50/60HZ
Power Consumption Max-燈具功率 Consumo de energía Max	<ul style="list-style-type: none"> <li>Dia 52mm : 6W 9W 12W</li> <li>Dia 55mm : 15W 18W 20W</li> </ul>
LED Driver Type LED驅動款式 Tipo de controlador LED	Integrated-type LED Driver--Refer to LED driver specification 請參閱LED驅動器規格 Consulte la especificación de controlador de LED 1. ON/OFF Switch AC220-240V 50/60HZ --Refer to LED Driver data sheet 2. Dali Dimming Driver AC100-240V 50/60HZ --Refer to LED Driver data sheet 3. DC48W ON/OFF -48VDC low voltage track system --Refer to LED Driver data sheet 4. DC48W DALI -48VDC low voltage track system --Refer to LED Driver data sheet
LED Driver Features驅動特性 Funciones del controlador de LED	<ul style="list-style-type: none"> <li>POWER FACTOR : PF&gt;0.9 or PF&gt;0.95 @ Full Load</li> <li>TOTAL HARMONIC DISTORTION: THD&lt; 20%</li> </ul>
Beam Angle光束角ángulo de haz	• 15° 20° 24° 30° 38° 55°
Light Source Brand-光源品牌-Fuente de luz de marca	CREE - ( Photobiological safety-IEC 62471 'Risk Group 1' (low risk) )
"Lumen Maintenance LM-80 Reported by TM-21"	L70(10k) > 65,000 hrs
LED Life-LED壽命-La vida del LED	>60,000 hours
Color Temperature -色溫 Temperatura del color	2700K / 3000K / 4000K / 5000K / 6500K
Color Rendering Index-顯色指數 Índice de reproducción cromática	<ul style="list-style-type: none"> <li>&gt; 80</li> <li>&gt;90</li> </ul>
MacAdam Ellipses Binning 麥克亞當橢圓分級 Mac Adam binning ellipse	Standard Deviation Colour Matching < 3 SDCM標準偏差配色< 3 SDCM Coincidencia de color estándar Desviación < 3 SDCM
Luminaire Efficacy燈具效率 La eficacia de la luminaria	<ul style="list-style-type: none"> <li>90 Lm/w(2700K), 90 Lm/w(3000K), 100 Lm/w(4000K),</li> <li>110Lm/w(5000K), 110Lm/w(6500K),</li> </ul>
LED Source Luminous EfficacyLED光源光效 Fuente luminosa LED Eficacia	<ul style="list-style-type: none"> <li>130 Lm/w(2700K), 130Lm/w(3000K), 140 Lm/w(4000K),</li> <li>150Lm/w(5000K), 150Lm/w(6500K),</li> </ul>
Housing materials-外殼材料 Materiales de la carcasa	Die-cast aluminum and acrylic壓鑄鋁和亞克力 Fundición de aluminio y acrílico
Housing Color外殼顏色color de la carcasa	Powder Coating :Matte black body with Matte-black Trim / Matte white body with Matte-black Trim 粉末塗料：啞光黑色燈身採用啞光黑色燈框 / 啞光白色燈身採用啞光黑色燈框 Recubrimiento en polvo: cuerpo negro mate con ribete negro mate / cuerpo blanco mate con ribete negro mate
Accessories 配件Accesorios	<ul style="list-style-type: none"> <li>6 WIRES 3 CIRCUITS DALI TRACK SYSTEM refer to Accessories data sheet</li> <li>4 WIRES 3 CIRCUITS TRACK SYSTEM refer to Accessories data sheet</li> <li>4 WIRES 2 CIRCUITS TRACK SYSTEM refer to Accessories data sheet</li> <li>48V LOW VOLTAGE TRACK SYSTEM refer to Accessories data sheet</li> </ul>
Ingress Protection-防護等級 Protección de ingreso	IP20
Operating Humidity -工作濕度 Humedad de funcionamiento	0~90%, non-condensing-不結霜 sin condensación
Operating Temperature Range / 工作溫度範圍 Rango de temperatura de funcionamiento	-30 °C / +50 °C
Comply Testing Standard 符合測試標準 Cumplir el estándar de prueba	LED Luminaires: IEC/EN 60598-1 ; IEC/EN 60598-2-1 ; IEC/ EN62493 ; IEC/EN 62301 ; IEC TR 62778 & IEC 62471 LED Driver: EN 55015 / IEC 61000-3-2 / IEC 61347-1 / IEC 61347-2-13 / IEC 61547
Certification-認證-Certificación	       

Project	Fixture#	Date
		Firm

## Ordering Information

Choose the option that suits your need and write its corresponding code on the appropriate line to form the product code.

Example product code: [TAKEX-20W](#)

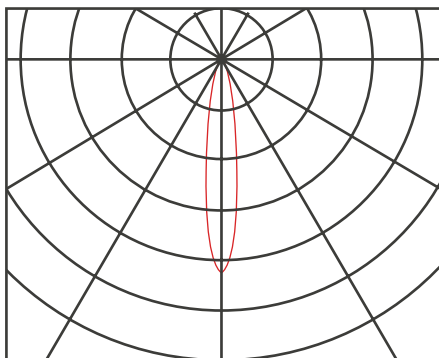
TAKEX - - \_\_\_\_\_  
Power Consumption

Power Consumption	
Code	Description
<a href="#">6W</a>	Dia 52mm : 6W
<a href="#">9W</a>	Dia 52mm : 9W
<a href="#">12W</a>	Dia 52mm : 12W
<a href="#">15W</a>	Dia 55mm : 15W
<a href="#">18W</a>	Dia 55mm : 18W
<a href="#">20W</a>	Dia 55mm : 20W

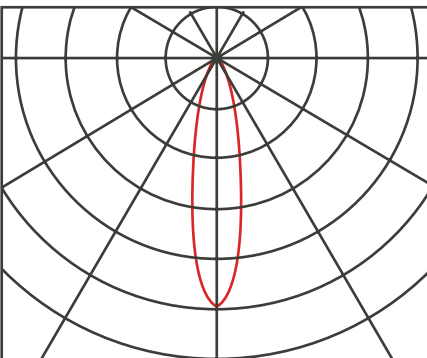


BEAM ANGLE

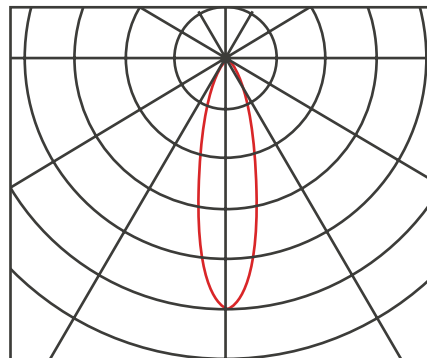
15°



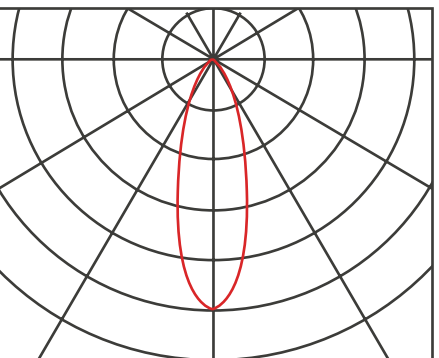
20°



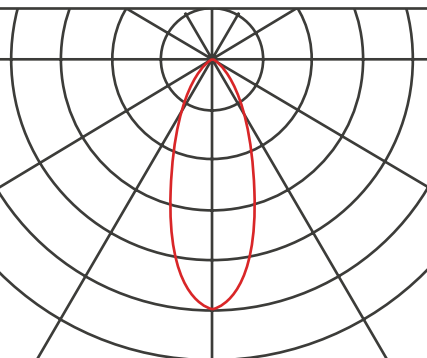
24°



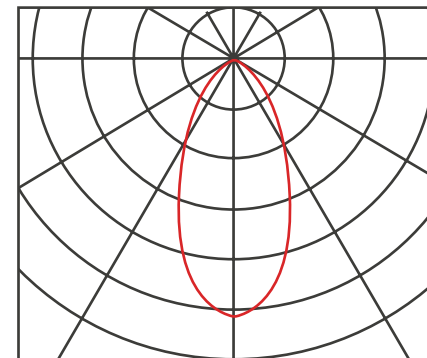
30°



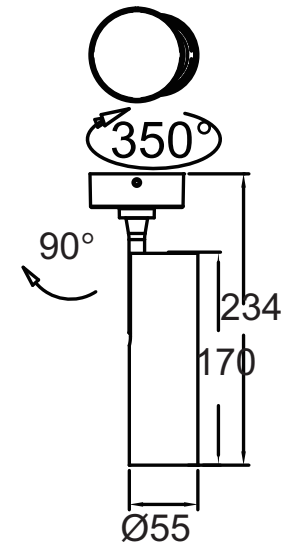
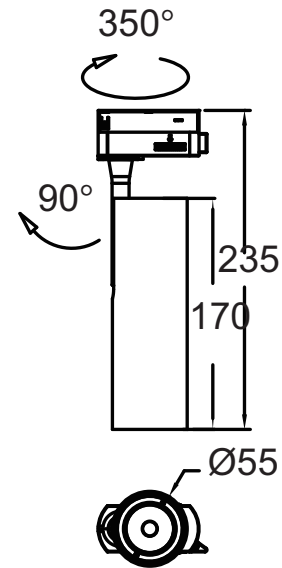
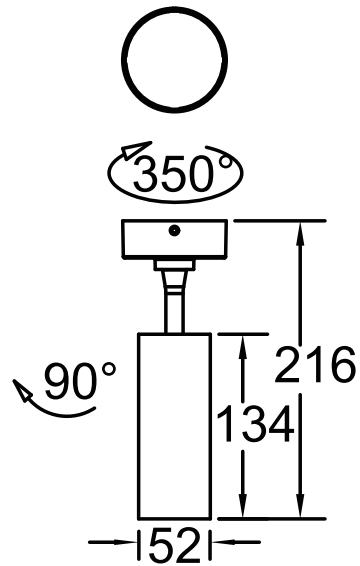
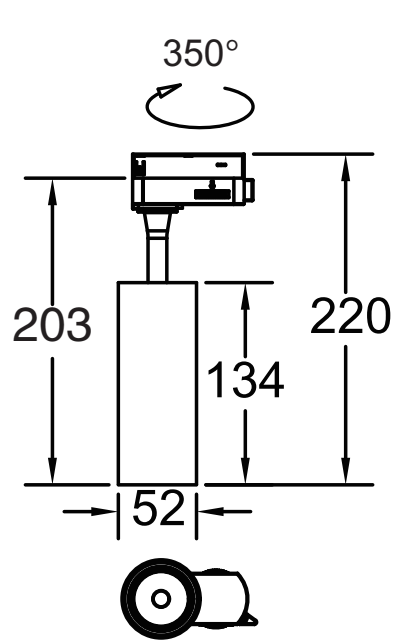
38°



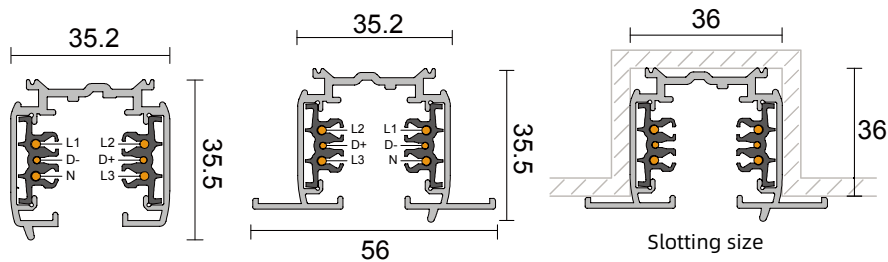
55°



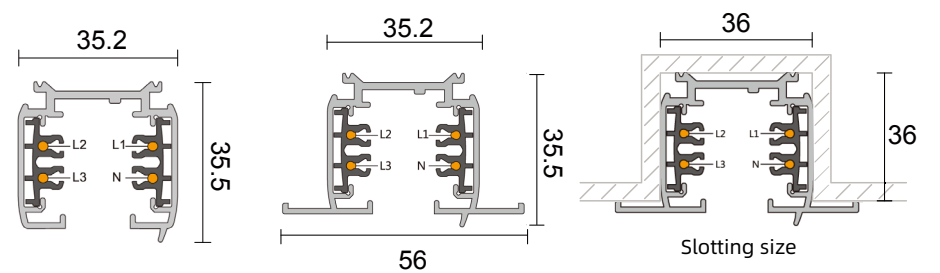
Technical Drawing



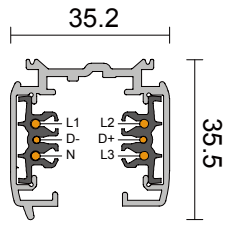
**6 WIRES 3 CIRCUITS DALI TRACK SYSTEM**



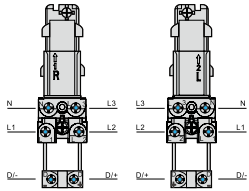
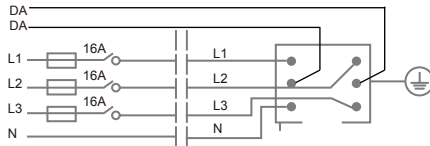
**4 WIRES 3 CIRCUITS TRACK SYSTEM**



6 Wires 3 circuits DALI track system diagram



3 Phases 230V 3\*16A Max.



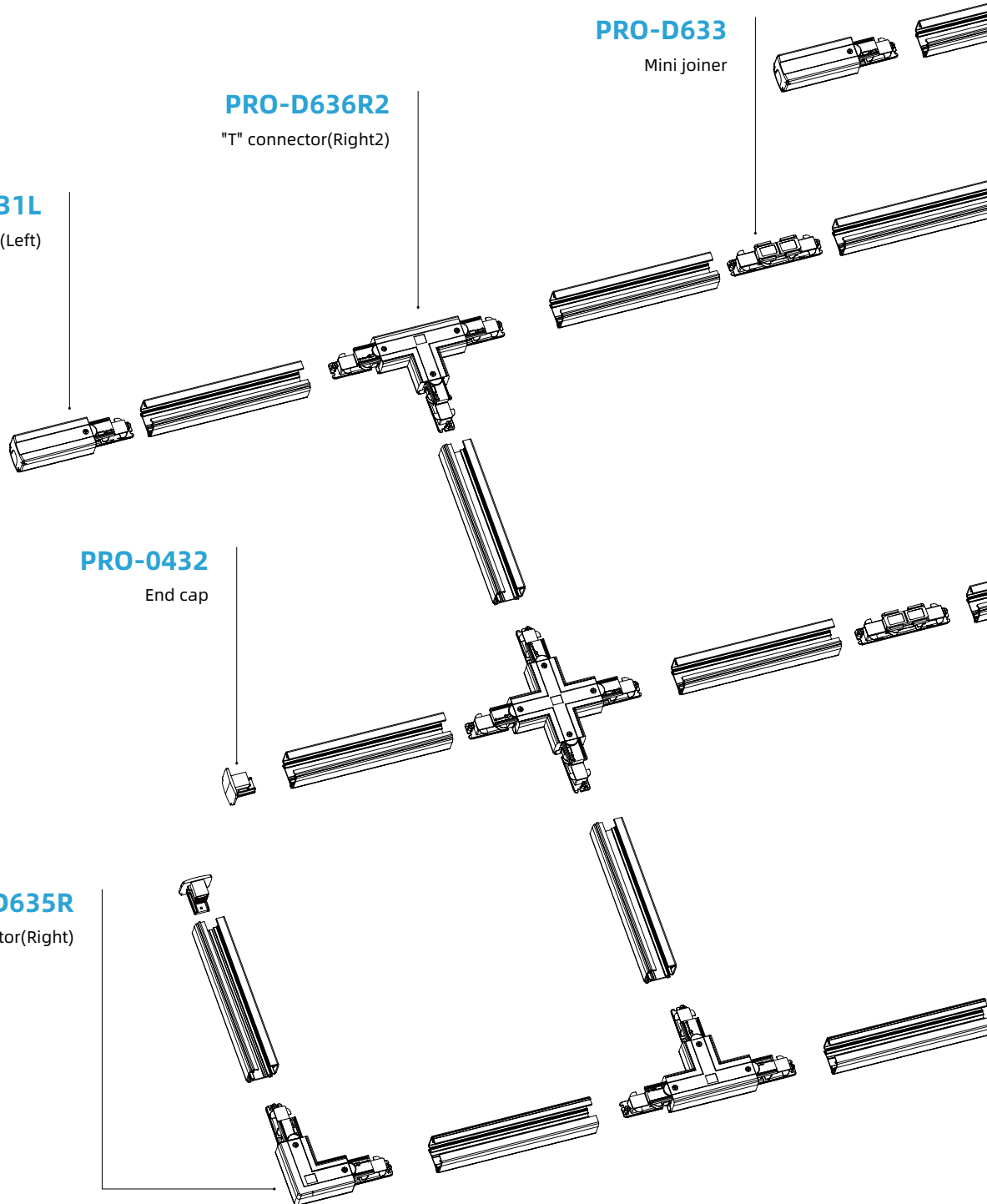
**PRO-D631L**  
Live-end connector(Left)

**PRO-D636R2**  
"T" connector(Right2)

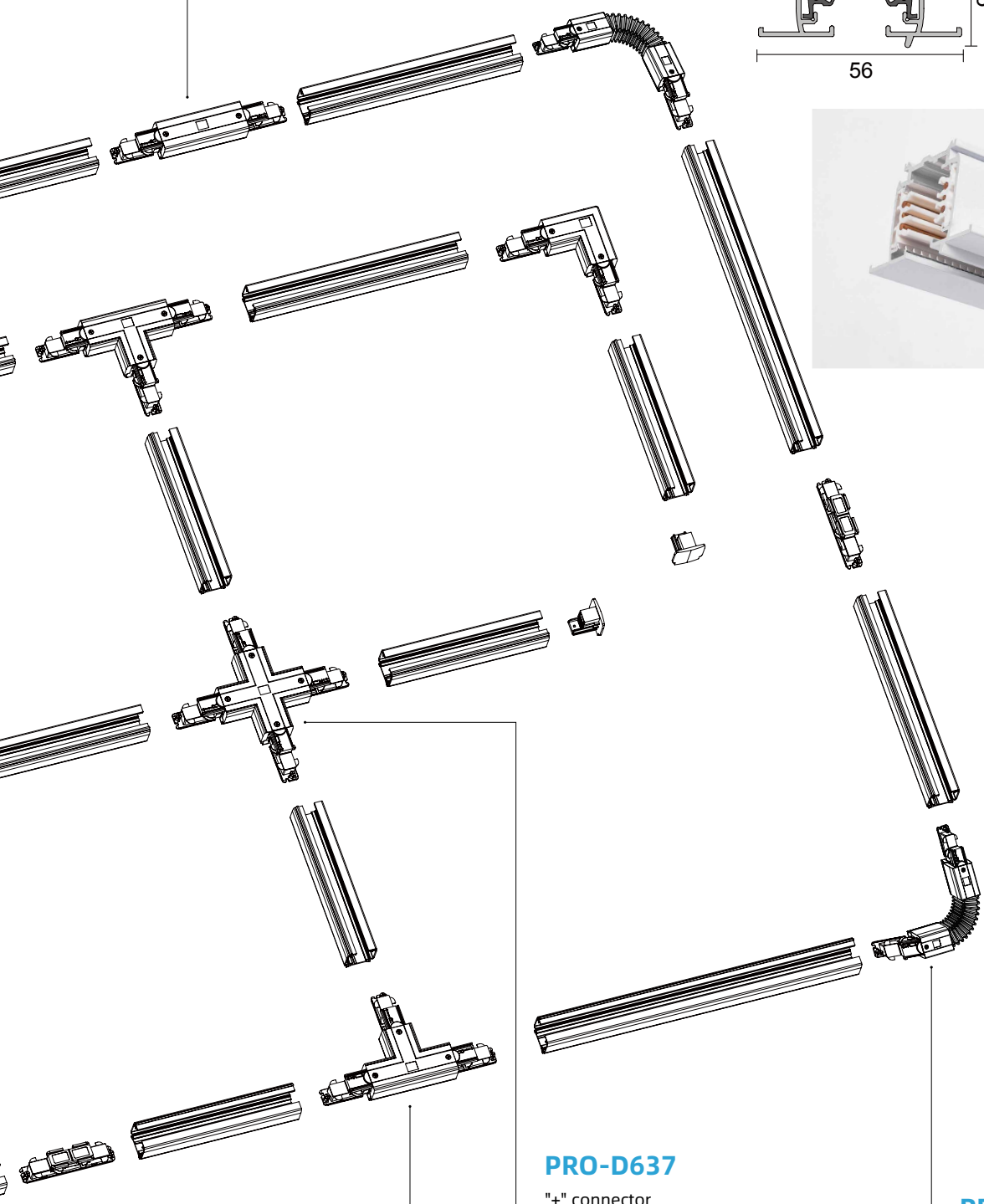
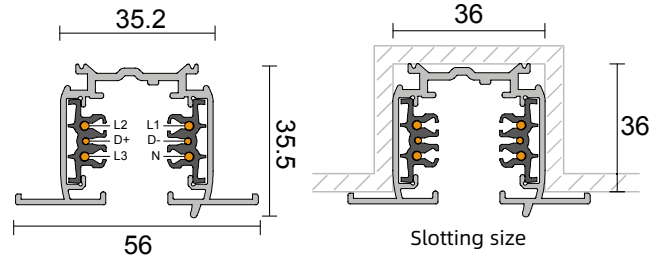
**PRO-D633**  
Mini joiner

**PRO-0432**  
End cap

**PRO-D635R**  
"L" connector(Right)



**PRO-D634**  
Straight connector

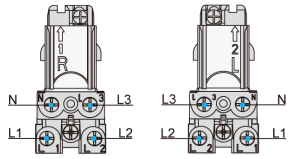
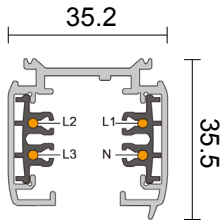


**PRO-D637**  
"+" connector

**PRO-D639**  
Flexible connector

**PRO-D636L2**  
"T" connector(Left2)

4 Wires 3 circuits track system diagram



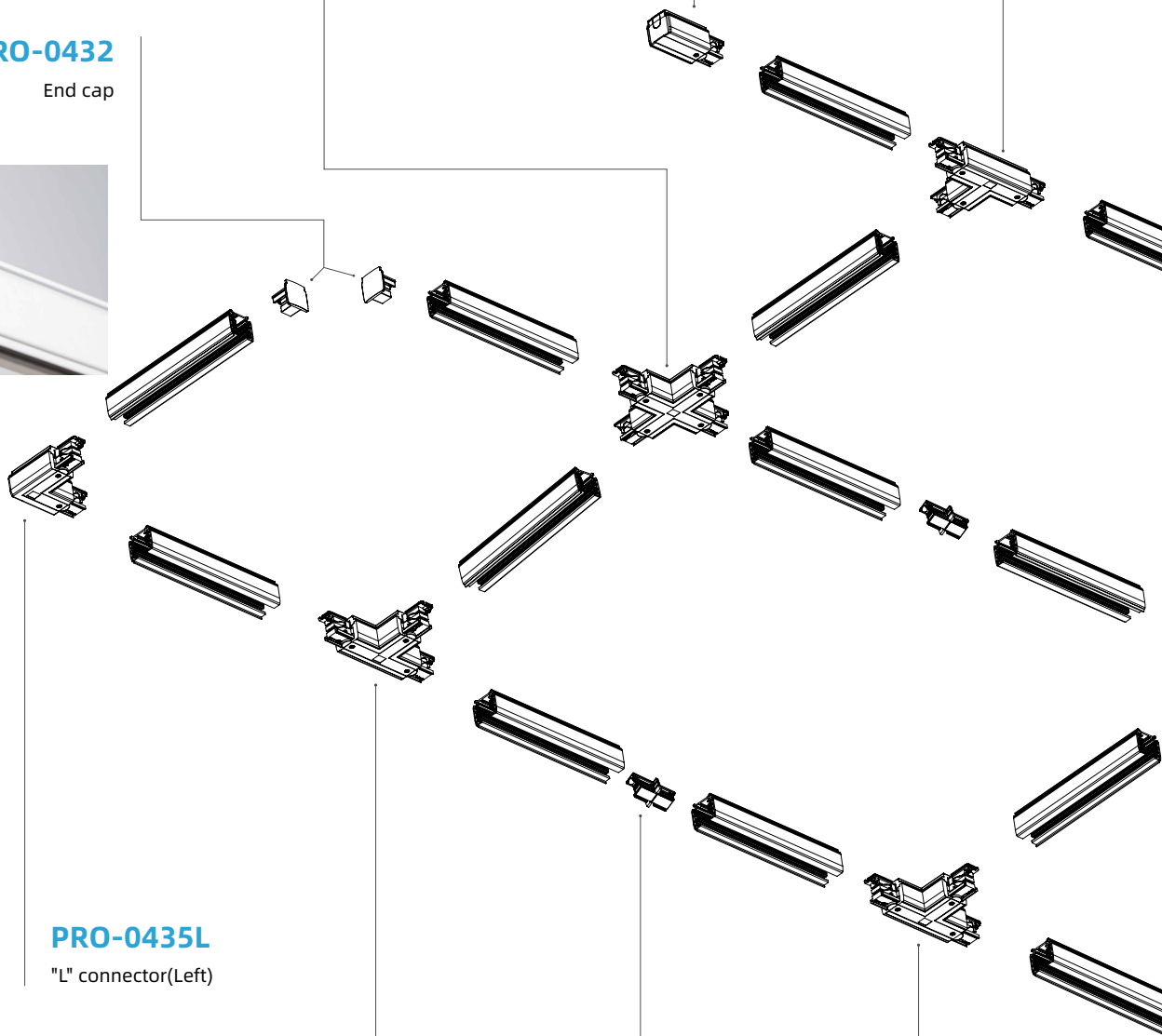
**PRO-0432**  
End cap



**PRO-0431L**  
Live-end connector(Left)

**PRO-0437**  
"+" connector

**PRO-0436R2**  
"T" connector(Right2)



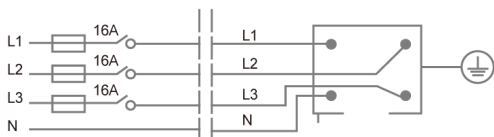
**PRO-0435L**  
"L" connector(Left)

**PRO-0436L1**  
"T" connector(Left1)

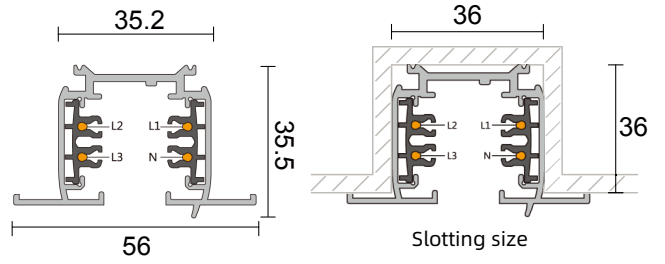
**PRO-0433A**  
Mini joiner(Insulation)

**PRO-0436R1**  
"T" connector(Right1)

3 Phases 230V 3\*16A Max.







### PRO-0436L2

"T" connector(Left2)

### PRO-0431R

Live-end connector(Right)

### PRO-0434

Straight connector

### PRO-0435R

"L" connector(Right)

### PRO-M435

Adjustable "L" connector

### PRO-0433

Mini joiner

### PRO-M435

Adjustable "L" connector

