


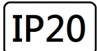



TEXAS

D125xL270mm 50W Max IP20



LED Lrack Light Feature:
Housing: die-cast aluminium with Anti-glare reflector and diffusor system made of PMMA.
Roated Through 350° and Tilted up to 90°.
DMX 512 control.

Technical Data

Luminaire Type- 安裝方式 Tipo de luminaria	Track Mounted Type 軌道燈具 Tipo de huella Montado
Dimension-尺寸-Dimensión	Dia:125 x L: 270 x W: 176 mm
QTY of LEDs-燈珠數量-CANT de LEDs	1 pcs LEDs
Input Voltage-輸入電壓-Voltaje de entrada	DC24V
Power Consumption Max-燈具功率 Consumo de energía Max	• 20W 25W 30W 40W 50W
Control Protocol-控制協議 Protocolo de Control	DMX 512
Beam Angle 光束角 ángulo de haz	• 15° • 20° • 40° • 60°
Light Source Brand-光源品牌-Fuente de luz de marca	CREE - (Photobiological safety-IEC 62471 'Risk Group 1' (low risk))
"Lumen Maintenance LM-80 Reported by TM-21"@ 25°	1. L90(10k) = 50,700 hrs 2. L80(10k) > 63,500 hrs 3. L70(10k) > 63,500 hrs
LED Life-LED壽命-La vida del LED	>60,000 hours
Color -顏色-Color	• RED(620nm-630nm) GREEN (520-530nm) BLUE (450-460nm) • RGBW (White: O: 2700K W: 3000K N: 4000K D:5000K C: 6500K) • MONO: 2700K / 3000K / 4000K / 5000K / 6500K
MacAdam Ellipses Binning 麥克亞當橢圓分級 Mac Adam binning ellipse	Standard Deviation Colour Matching < 3 SDCM 標準偏差配色 < 3 SDCM Coincidencia de color estándar Desviación < 3 SDCM
Luminaire Efficacy 燈具效率 La eficacia de la luminaria	• 50 Lm/w(RED); • 75 Lm/w (GREEN) • 20 Lm/w (BLUE) • 55 Lm/W @ RGBW • 85 Lm/w(2700K), 85 Lm/w(3000K), 90 Lm/w(4000K), • 95 Lm/w(5000K), 95 Lm/w(6500K),
LED Source Luminous Efficacy LED光源光效 Fuente luminosa LED Eficacia	• 70 Lm/w(RED); • 95 Lm/w (GREEN) • 40 Lm/w (BLUE) • 75 Lm/W @ RGBW • 110 Lm/w(2700K), 110 Lm/w(3000K), 120 Lm/w(4000K), • 125 Lm/w(5000K), 125 Lm/w(6500K),
Color Rendering Index-顯色指數 Índice de reproducción cromática	• >80 @ Mono Color LED • >90 @ Mono Color LED
Housing materials-外殼材料 Materiales de la carcasa	Die-cast aluminum and acrylic 壓鑄鋁和亞克力 Fundición de aluminio y acrílico
Housing Color 外殼顏色 color de la carcasa	Matte white / Matte black 啞光白色 / 啞光黑色 Blanco mate / Matte black
Ingress Protection-防護等級 Protección de ingreso	IP20 - (IEC 60529)
Environment-使用環境-medio ambiente	Indoor
Operating Humidity -工作濕度 Humedad de funcionamiento	0~90%, non-condensing-不結霜 sin condensación
Operating Temperature Range / 工作溫度範圍 Rango de temperatura de funcion amiento	-30 °C / +50 °C
Comply Testing Standard 符合測試標準 Cumplir el estándar de prueba	LED Luminaires: IEC 60598-1 / IEC 60598-2-2 / Photometric data-IES format LED Driver: EN 55015 / IEC 61000-3-2 / IEC 61347-1 / IEC 61347-2-13 / IEC 61547
Certification-認證-Certificación	    

Project	Fixture#	Date
		Firm



Ordering Information

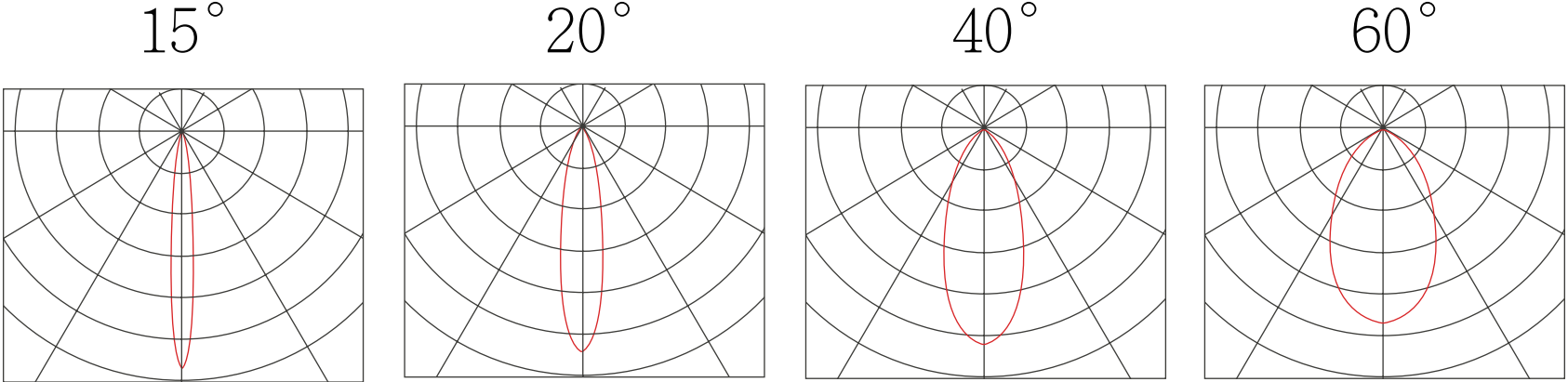
Choose the option that suits your need and write its corresponding code on the appropriate line to form the product code.

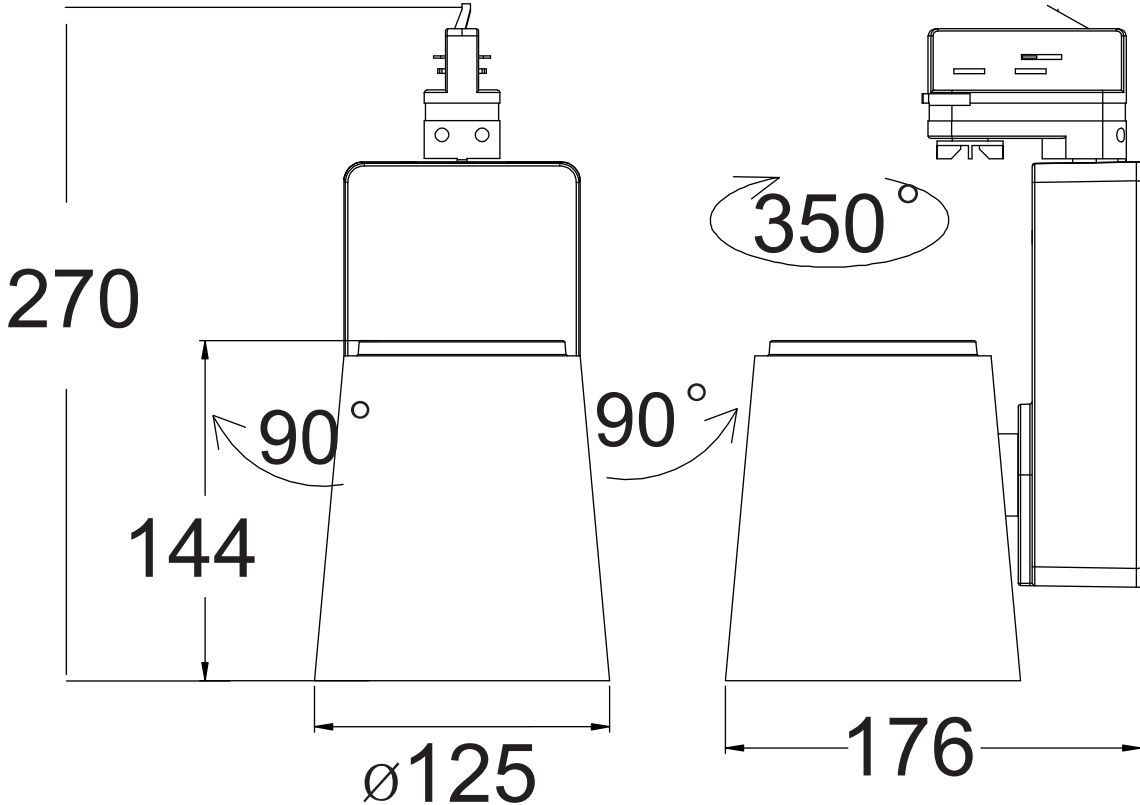
Example product code: [TEXAS-50W](#)

TEXAS - - _____
LED Driver Type

LED Driver Type	
Code	Description
20W	20W
25W	25W
30W	30W
40W	40W
50W	50W

BEAM ANGLE





Unit: mm