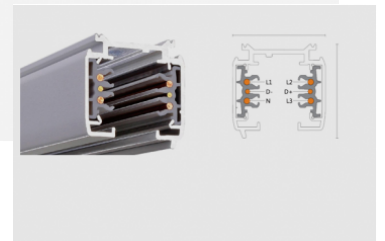
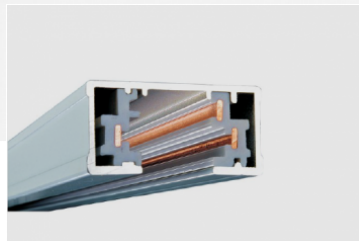
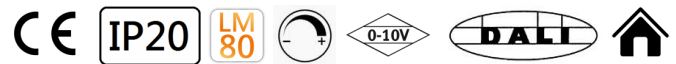


TRADA


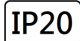





24W & 28W



TRADA track light. Housing: die-cast aluminium, powder-coated, designed as heat sink. Anti-glare reflector and diffusor system made of PMMA. LED module: high-power CREE LEDs .

Accessories: Spherolit lenswide Flood , Spherolit lens Oval Flood, Barn Door, Snoot, Cross Lover , Honeycomb

Technical Data

Luminaire Type- 安裝方式 Tipo de luminaria	Track Mounted Type 軌道燈具 Tipo de huella Montado
Dimension-尺寸-Dimensión	Dia 120 x H: 92 x D: 64 mm
Input Voltage-輸入電壓-Voltaje de entrada	• AC220-240V 50/60HZ • DC Constant Current
Power Consumption Max-燈具功率 Consumo de energía Max	• 24W • 28W
LED Driver Type LED驅動款式 Tipo de controlador LED	Integrated-type or Remote-type LED Driver--Refer to LED driver specification 請參閱LED驅動器規格 Consulte la especificación de controlador de LED 1. ON/OFF Switch AC220-240V 50/60HZ @ Integrated-type 2. ELV Dimming Driver (5-100%) AC 100-120V 50/60HZ or AC 200-240V 50/60HZ 3. 1-10V Dimming Driver(0-100%) AC100-240V 50/60HZ 4. Dali Dimming Driver (0-100%) AC100-240V 50/60HZ 5. DMX Driver (Remoted Driver)(0-100%) AC100-240V 50/60HZ (Dimming range from 0-100%) 6. RDM Driver (Remoted Driver)(0-100%) AC100-240V 50/60HZ 7. Emergency Backup (Remoted Driver) >2 hours or >3 hours @ < 24 charger hours應急電池/Copia de seguridad de emergencia 8. ZIGBEE Wireless Control (Remoted Driver)(0-100%) AC100-240V 50/60HZ
LED Driver Features 驅動特性 Funciones del controlador de LED	• POWER FACTOR : PF10.90 @ Full Load • TOTAL HARMONIC DISTORTION: THD< 20%
Control Protocol-控制協議 Protocolo de Control	1-10V / Dali / DMX 512 / RDM / ZIGBEE Wireless Control
Beam Angle 光束角 ángulo de haz	• 15° 24° 28° 38° 60°
Light Source Brand-光源品牌-Fuente de luz de marca	CREE - (Photobiological safety-IEC 62471 'Risk Group 1' (low risk))
"Lumen Maintenance LM-80 Reported by TM-21"	1. L90(10k) = 50,700 hrs 2. L80(10k) > 63,500 hrs 3. L70(10k) > 63,500 hrs
LED Life-LED壽命-La vida del LED	>60,000 hours
Color Temperature -色溫 Temperatura del color	2700K / 3000K / 4000K / 5000K / 6500K
Color Rendering Index-顯色指數 Índice de reproducción cromática	• >80 • >90
MacAdam Ellipses Binning 麥克亞當橢圓分級 Mac Adam binning ellipse	Standard Deviation Colour Matching < 3 SDCM 標準偏差配色 < 3 SDCM Coincidencia de color estándar Desviación < 3 SDCM
Luminaire Efficacy 燈具效率 La eficacia de la luminaria	• 95 Lm/w(2700K), • 95 Lm/w(3000K), • 95Lm/w(4000K), • 110 Lm/w(5000K), • 110 Lm/w(6500K),
LED Source Luminous Efficacy LED光源光效 Fuente luminosa LED Eficacia	• 125 Lm/w(2700K), • 125 Lm/w(3000K), • 125 Lm/w(4000K), • 140 Lm/w(5000K), • 140 Lm/w(6500K),
Housing materials-外殼材料 Materiales de la carcasa	• Die-cast aluminum and PMMA Lens • 壓鑄鋁和PMMA透鏡 • Aluminio fundido a troquel y lente de PMMA
Housing Color 外殼顏色 color de la carcasa	Powder Coating :Matte black body / Matte white body 粉末塗料: 啞光黑色燈身 / 啞光白色燈身 Recubrimiento en polvo: cuerpo negro mate / cuerpo blanco mate
Operating Temperature Range / 工作溫度範圍 Rango de temperatura de funcionamiento	-30 °C / +50 °C
Operating Humidity -工作濕度 Humedad de funcionamiento	0~90%, non-condensing-不結霜sin condensación
Ingress Protection-防護等級 Protección de ingreso	IP20
Accessories 配件 Accesorios	• Honeycomb蜂巢罩 Panal • Cross Lover 十字罩 Amante de la cruz • Snoot 束光筒 Snoot • Barn Door倉門罩 Puerta de granero • Spherolite lens wide Flood 球狀透鏡寬鏡片Lente de spherolite amplia inundación • Spherolite lens Oval Flood 球狀透鏡橢圓拉伸鏡片 Lente Esferolita Oval Flood
Comply Testing Standard 符合測試標準 Cumplir el estándar de prueba	LED Luminaires: IEC 60598-1 / IEC 60598-2-2
Certification-認證-Certificación	      

Project	Fixture#	Date
		Firm



Ordering Information

Choose the option that suits your need and write its corresponding code on the appropriate line to form the product code.

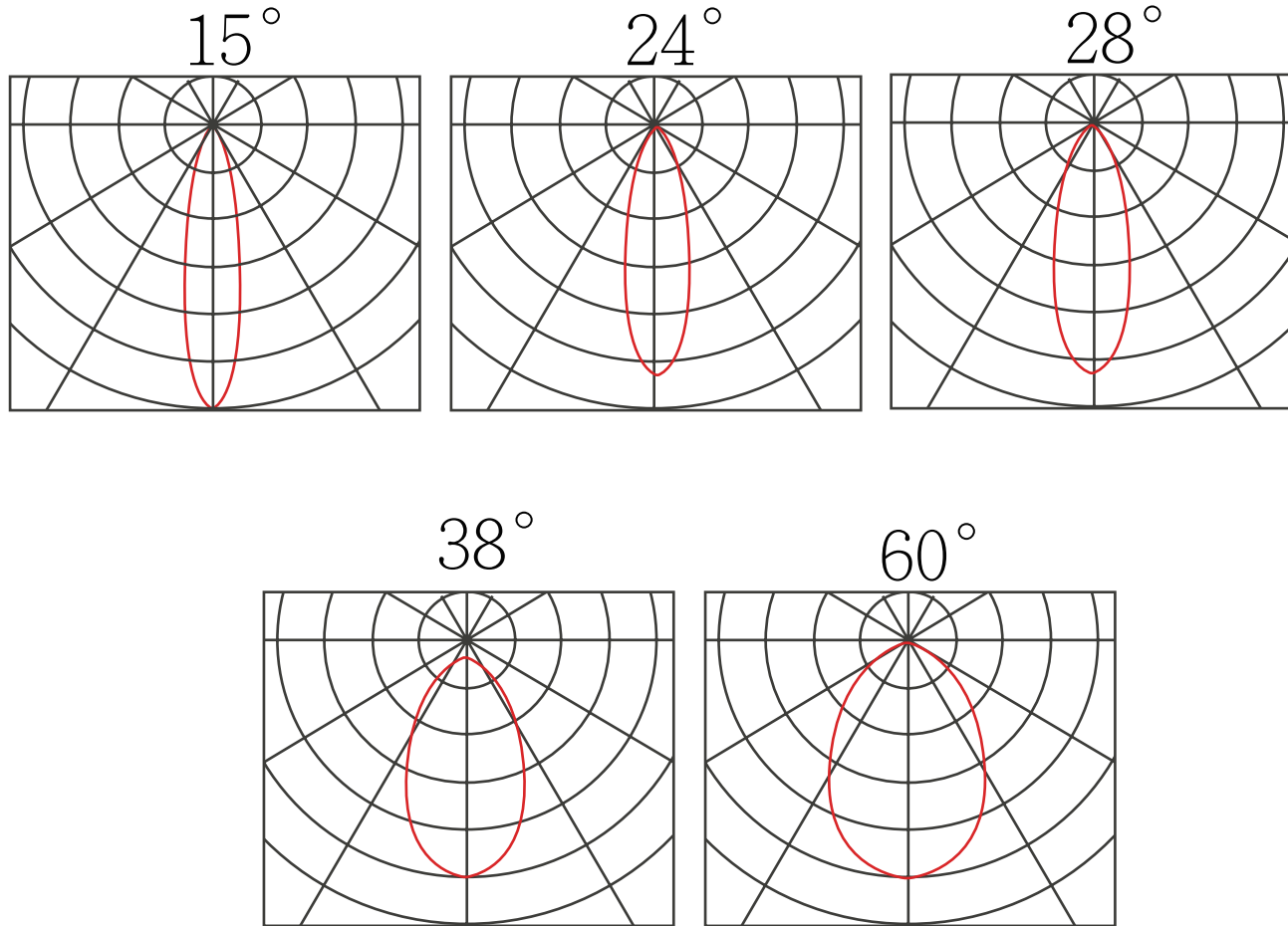
Example product code: [TRADA-28W-SW-40-S-MB-80](#)

TRADA - - _____ - _____ - _____ - _____ - _____ - _____

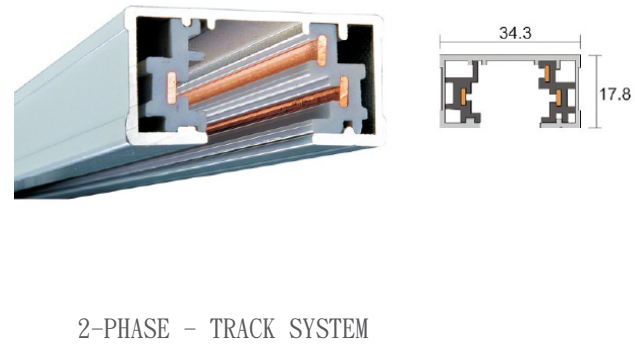
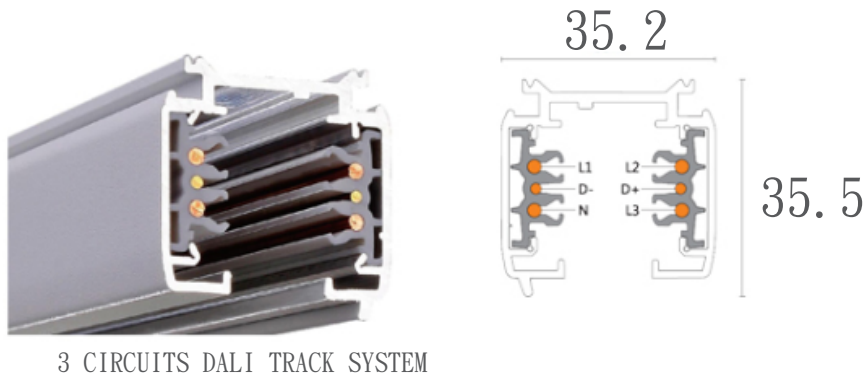
Power Consumption
LED Driver Type
Color Temperature
BEAM Angle
Body Color
COLOR RENDERING INDEX

Power Consumption		LED Driver Type		Color Temperature		BEAM Angle		Body Color		COLOR RENDERING INDEX	
Code	Description	Code	Description	Code	Description	Code	Description	Code	Description	Code	Description
24W	24W	SW	ON/OFF Switch	27	2700K	N	15°	MB	MB-Matte Black	80	>80
28W	28W	ELV	ELV Leading Edge Control	30	3000K	S	24°	MW	MW-Matte White	90	>90
		AN	1 -10V Dimming	40	4000K	M	28°				
		DA	DALI Dimming	50	5000K	L	30°				
		DMX	DMX Dimming Remoted Type @ Dimming range from 0-100%	65	6500K	W	38°				
		RDM	RDM Dimming Remoted Type			X	60°				
		EM	Emergency Battery								
		ZI	ZIGBEE Wireless Control								

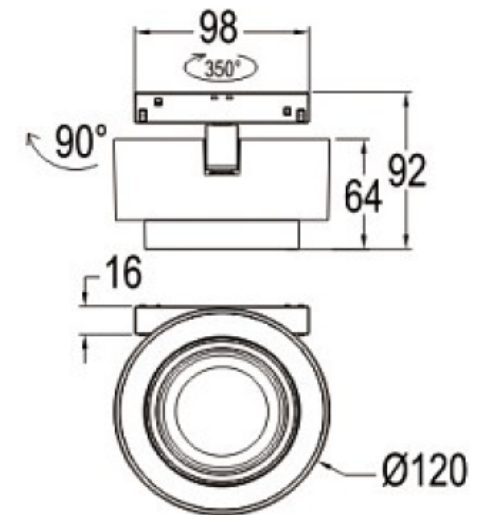
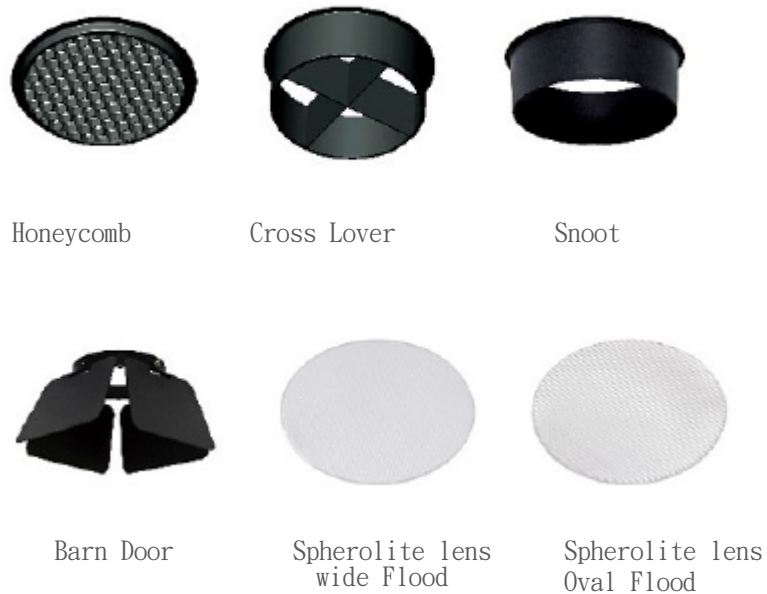
BEAM ANGLE



Technical Drawing Accessories



Adjustable \curvearrowright 350°
Fixture: 90° Horizontal
Rotation: 350°



Unit : mm