
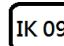
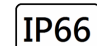






Hook Mounted Type



- * An elegant LED tunnel lighting, separately driver box design for better protection and easier maintenance. Highly reliable, environment friendly materials for corrosion proof.
- * Great corrosion resistance, passed 1000H salty Spray test.
- * Strengthened Glass to ensure the IK Protection, and easy to clean.
- * Excellent heat dissipation.
- * Adjustable ceiling mount and Hook Mount are optional for different type of tunnels.

Technical Data

Luminaire Type-安裝方式 Tipo de luminaria	Hoop mounted or Ceiling mounted with adjustable bracket 掛箍安裝或吸頂安裝 Montado en aro o montado en el techo con soporte ajustable
Power Consumption with LED Driver LED燈具包括LED驅動電源功率 Consumo de energía con controlador de LED	<ul style="list-style-type: none"> • L308mm: 25W 30W 60W • L358mm: 70W 80W 90W • L459mm: 100W 110W 120W • L510mm: 130W 140W 150W
Input Voltage / 輸入電壓 Voltaje de entrada	220-240 VAC 50-60Hz,
Control控制Control-	• Remote LED Driver Box: ON/OFF 1-10V DALI DMX512 RDM ZIGBEE Wirelss
Power Factor / 功率因數/Factor de potencia	PF>0.9
Total Harmonic Distortion/總諧波失/Distorsión armónica total	THD<18%
Protection Against Surgers/防護措施/ PROTECCIÓN CONTRA LAS PROMOCIONES:	<ul style="list-style-type: none"> • 6kV line-line • 10kV line-earth
Light Source Brand-光源品牌-Fuente de luz de marca	NICHIA JAPAN
Photobiological safety-IEC 62471 / of Luminaire 光生物安全檢驗(IEC/EN 62471) 结果: Seguridad fotobiológica-IEC 62471	RG1 -Risk Group 1 1 類危險 (低危) RG1 - Grupo de riesgo 1
"Lumen Maintenance LM-80 Reported by ISTM &TM-21"	L80(10k) > 65,000 hrs L70(10k) > 60,000 hrs
LED Life-LED壽命-La vida del LED	>60,000 hours
Color Temperature-色溫 Temperatura y color	3000K 4000K 5000K
Color Rendering Index-顯色指數 Índice de reproducción cromática	<ul style="list-style-type: none"> • >70 • >80
MacAdam Ellipses Binning 麥克亞當橢圓分級 Mac Adam binning elipse	Standard Deviation Colour Matching < 3 SDCM 標準偏差配色< 3 SDCM Coincidencia de color estándar Desviación < 3 SDCM
Beam Angle-光束角-ángulo de haz	<ul style="list-style-type: none"> • A1 @ Asymmetric @ 45°x150° A2 @ Asymmetric @ 100°x150° • A3 @ Asymmetric @ 50°x135° A4 @ Asymmetric @ 110°x150°
Luminaire Efficacy 燈具效率 La eficacia de la luminaria	<ul style="list-style-type: none"> • 140 Lm/w(3000K) @CRI >70; 150 Lm/w(4000K) @CRI >70 150 Lm/w(5000K) @CRI >70 • 130 Lm/w(3000K) @CRI >80; 140 Lm/w(4000K) @CRI >80 140 Lm/w(5000K) @CRI >80
LED Source Luminous Efficacy LED光源光效 Fuente luminosa LED Eficacia	<ul style="list-style-type: none"> • 170 Lm/w(3000K) @CRI >70; 180 Lm/w(4000K) @CRI >70; 180 Lm/w(5000K) @CRI >70; • 160 Lm/w(3000K) @CRI >80; 170 Lm/w(4000K) @CRI >80; 170 Lm/w(5000K) @CRI >80;
Housing materials 外殼材料 Materiales de la carcasa	Die-cast aluminium and Tempered glass --壓鑄鋁和鋼化玻璃--Die fundición de aluminio y vidrio templado
Housing Color 外殼顏色 color de la carcasa	Corrosion -resistance Polyester powders Coating(RAL 9006 Silver). 耐腐蝕聚酯粉末塗料 (RAL 9006 銀灰色) Polvo de poliéster resistente a la corrosión Recubrimiento(RAL 9006 Plata).
Ingress Protection-防護等級 Protección de ingreso	IP66 - (IEC 60529)
Mech impact protection 機械衝擊保護 Protección contra impactos mecánicos	IK09 (EN 62262: 2002)
Operating Temperature Range / 工作溫度範圍 Rango de temperatura de funcion amiento	-30 °C / +50 °C / -22 °F / +122 °F
Storage Temperature 儲藏溫度 Temperatura de almacenamiento	-40 °C / +70 °C / -40 °F / +158 °F
Operating Humidity -工作濕度 Humedad de funcionamiento	0~90%, non-condensing-不結霜 sin condensación
Dimension (LxWxH)/尺寸/ Dimensión	<ul style="list-style-type: none"> • Hoop Mounted: L: 308 x W:206 x H: 171 mm L: 358 x W:206 x H: 171 mm • L: 459 x W:206 x H: 171 mm L: 510 x W:206 x H: 171 mm • Ceiling Mounted: L: 308 x W:206 x H: 194 mm L: 358 x W:206 x H: 194 mm • L: 459 x W:206 x H: 194 mm L: 510 x W:206 x H: 194 mm
Net Weight /淨重/Peso Neto	<ul style="list-style-type: none"> • 1.6±0.3kg @ 25W / 30W / 60W 1.9±0.3kg @ 90W 2.5±0.3kg @ 120W 3.0±0.3kg @ 150W (lamp body) • 1.9±0.3kg (Power supply box)
Gross Weight/ 毛重 / Peso bruto	LED Tunnel Light -Fixture Body <ul style="list-style-type: none"> • 2.1±0.3kg @25W / 30W / 60W 2.4±0.3kg @ 70W / 80W / 90W • 3.0±0.3kg @ 100W / 110W / 120W 3.5±0.3kg @ @ 130W /140W /150W • 2.4±0.3kg (Power supply box)
Packing box size/包裝箱尺寸 Tamaño de la caja de embalaje	<ul style="list-style-type: none"> • 411 x 255 x 130mm @25W / 30W / 60W 461 x 255 x 130mm @ 70W / 80W / 90W • 562 x 255 x 130mm @ 100W / 110W / 120W 612 x 255 x 130mm @ 130W /140W /150W
Certificate Standard Complied 符合安規標準 estándar certificado de cumplimiento	LED Luminaries: LVD: IEC/EN 60598-1;EN / IEC/EN 60598-2-3;IEC62471;IEC/EN 62031; IEC/EN 62493; RoHS LED Driver: IEC/EN 61347-1; IEC/EN 61347-2-13; IEC/EN 62384; IEC/EN 61000-3-2; IEC/EN 61000-3-3;IEC/EN61574;EN 55015 ; IEC /EN 62384
Certification-認證-Certificación	      

Project	Fixture#	Date
		Firm



Ordering Information

Choose the option that suits your need and write its corresponding code on the appropriate line to form the product code.

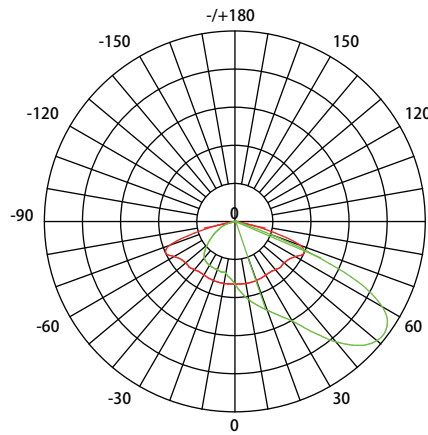
Example product code: [TUWE-150W](#)

TUWE - - _____

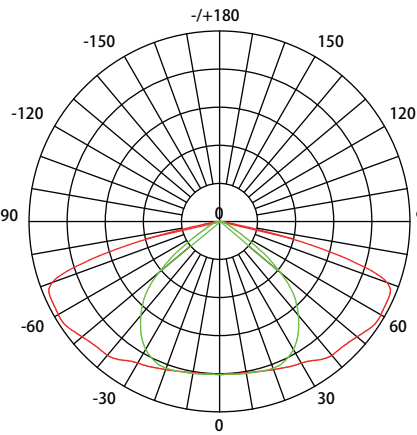
POWER
CONSUMPTION

POWER CONSUMPTION	
Code	Description
25W	25W @ L:308 mm
30W	30W @ L:308 mm
60W	60W @ L:308 mm
70W	70W @ L:358 mm
80W	80W @ L:358 mm
90W	90W @ L:358 mm
100W	100W @ L:459 mm
110W	110W @ L:459 mm
120W	120W @ L:459 mm
130W	130W @ L:510 mm
140W	140W @ L:510 mm
150W	150W @ L:510 mm

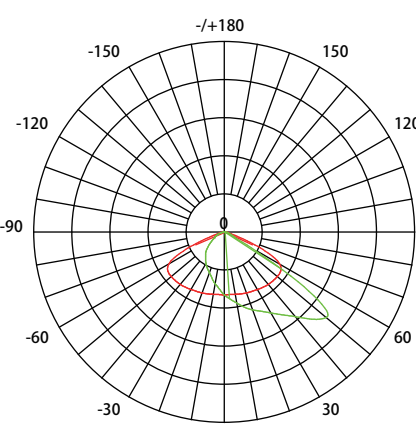
BEAM ANGLE



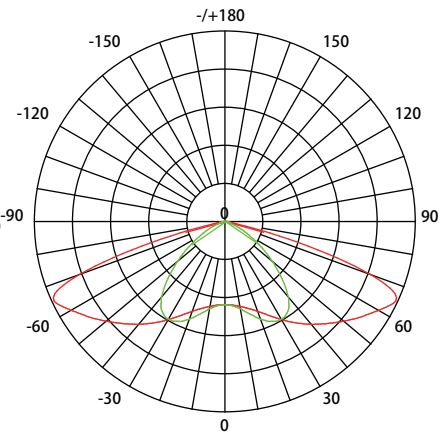
A1



A2



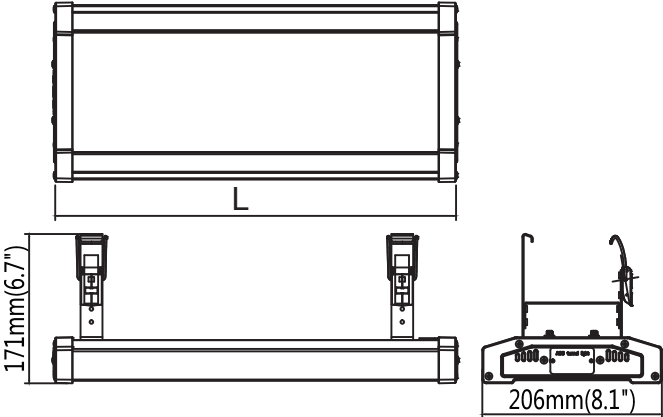
A3



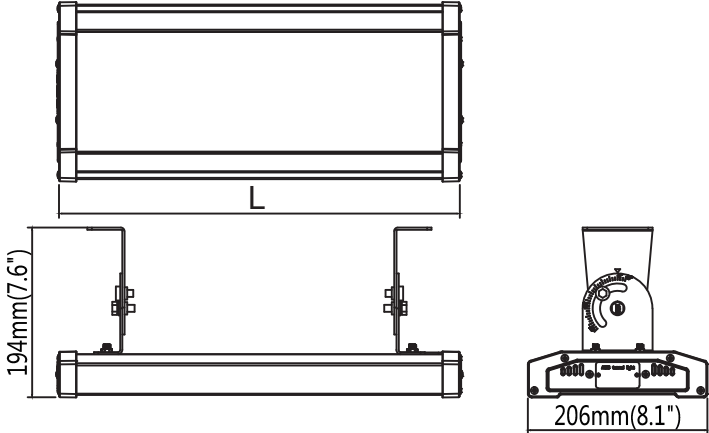
A4

Technical Drawing

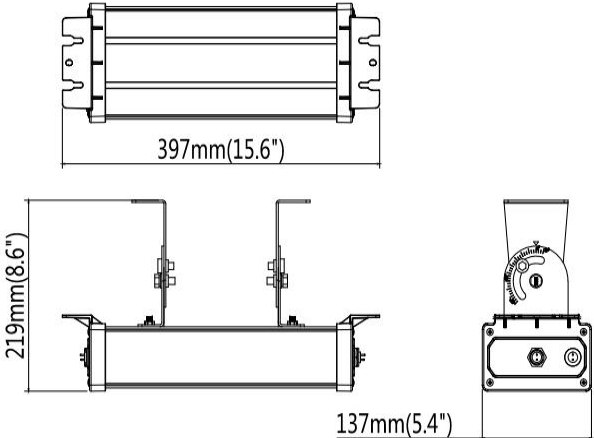
Hook Mounted Type



Ceiling Mounted (Adjustable) Type



- L: 308 mm Wattage: 25W 30W 60 W
- L: 358 mm Wattage: 70W 80W 90 W
- L: 459 mm Wattage: 100W 110W 120 W
- L: 510 mm Wattage: 130W 140W 150 W



Remote LED Driver Box
L: 397 xW: 137 x H: 219

Unit: mm