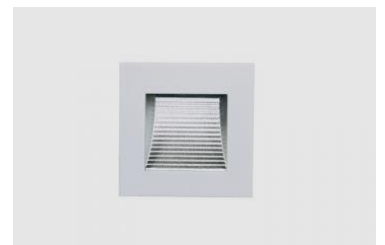
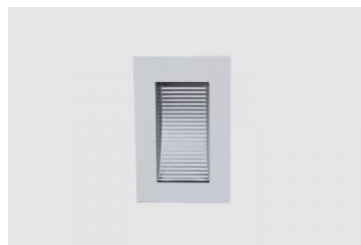
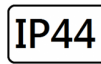


WADY

7W Max IP44





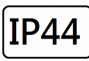



LED INDOOR RECESSED WALL LIGHT.

- Self-designed reflector with special optic, precise light distribution and high lumen output, no-glare, soft and tender light.
- Various power options for different requirements.
- Environmental, no UV, nice heat dissipation.
- Housing: die-cast aluminium, powder-coated, designed as heat sink.
- Anti-glare reflector and diffusor system made of frosted tempered glass.
- LED module: CREE CRI>80 LM-80 performance approval >50,000 hours.
- Well balance light distribution and optimum lighting quality. Applications:schools,public buildings ,etc.

Technical Data

Luminaire Type-安裝方式-Tipo de luminaria

Recessed Wall Light Type 嵌入式燈具 Tipo de Recessed

Dimension-尺寸-Dimensión	<ul style="list-style-type: none"> • W: 70 x L: 70 x D: 18.6 mm • W: 110 x L: 70 x D: 25.6 mm • W: 200 x L: 70 x D: 25 mm • W: 200 x L: 135 x D: 25 mm
Cut off Dimension-開孔尺寸-Cortar Dimensión	<ul style="list-style-type: none"> • W: 62 x L: 62 mm @ W: 70 x L: 70 x D: 18.6 mm • W: 100 x L: 62 mm @ W: 110 x L: 70 x D: 25.6 mm • W: 187 x L: 60 mm @ W: 200 x L: 70 x D: 25 mm • W: 187 x L: 125 mm @ W: 200 x L: 135 x D: 25 mm
Input Voltage-輸入電壓-Voltaje de entrada	AC100-240V 50/60HZ
Power Consumption Max-燈具功率 Consumo de energía Max	<ul style="list-style-type: none"> • 1.5W @ W: 70 x L: 70 x D: 18.6 mm • 3.5W @ W: 110 x L: 70 x D: 25.6 mm • 4.5W @ W: 200 x L: 70 x D: 25 mm • 7.0W @ W: 200 x L: 135 x D: 25 mm
LED Driver Type LED驅動款式 Tipo de controlador LED	<p>Integrated-type LED Driver--Refer to LED driver specification 請參閱LED驅動器規格 Consulte la especificación de controlador de LED</p> <ol style="list-style-type: none"> 1. ON/OFF Switch AC100-240V 50/60HZ 2. ELV Dimming Driver (5-100%) AC 100-120V 50/60Hz or AC 200-240V 50/60HZ 3. 0-10V Dimming Driver AC100-240V 50/60HZ 4. Dali Dimming Driver AC100-240V 50/60HZ
Control Protocol-控制協議 Protocolo de Control	0-10V / Dali
Beam Angle光束角ángulo de haz	Asymmetric
Light Source Brand-光源品牌-Fuente de luz de marca	CREE - (Photobiological safety-IEC 62471 'Risk Group 1' (low risk))
"Lumen Maintenance LM-80 Reported by TM-21"	<ol style="list-style-type: none"> 1. L90(10k) = 50,700 hrs 2. L80(10k) > 63,500 hrs 3. L70(10k) > 63,500 hrs
LED Life-LED壽命-La vida del LED	>60,000 hours
Color Temperature -色溫 Temperatura del color	2700K / 3000K / 4000K / 5000K / 6500K
Color Rendering Index-顯色指數 Índice de reproducción cromática	<ul style="list-style-type: none"> • > 80 • > 90
MacAdam Ellipses Binning 麥克亞當橢圓分級 Mac Adam binning elipse	<p>Standard Deviation Colour Matching < 3 SDCM 標準偏差配色 < 3 SDCM Coincidencia de color estándar Desviación < 3 SDCM</p>
Luminaire Efficacy燈具效率 La eficacia de la luminaria	<ul style="list-style-type: none"> • 60 Lm/w(2700K), 60 Lm/w(3000K), 65 Lm/w(4000K), • 70 Lm/w(5000K), 70 Lm/w(6500K),
LED Source Luminous Efficacy LED光源光效 Fuente luminosa LED Eficacia	<ul style="list-style-type: none"> • 120 Lm/w(2700K), 120 Lm/w(3000K), 125 Lm/w(4000K), • 130 Lm/w(5000K), 130 Lm/w(6500K),
Housing materials-外殼材料 Materiales de la carcasa	<p>Die-cast aluminium and Glass 壓鑄鋁和玻璃 Die fundición de aluminio y Vidrio</p>
Housing Color外殼顏色 color de la carcasa	<p>Powder Coating :Matte white 粉末塗料: 啞光白色 Recubrimiento en Polvo: Blanco mate</p>
Ingress Protection-防護等級 Protección de ingreso	IP44 - (IEC 60529)
Environment-使用環境-medio ambiente	Indoor
Operating Humidity -工作濕度 Humedad de funcionamiento	0~90%, non-condensing-不結霜 sin condensación
Operating Temperature Range / 工作溫度範圍 Rango de temperatura de funcionamiento	-30 °C / +50 °C
Comply Testing Standard 符合測試標準 Cumplir el estándar de prueba	<p>LED Luminaires: IEC 60598-1 / IEC 60598-2-2 / Photometric data-IES format LED Driver: EN 55015 / IEC 61000-3-2 / IEC 61347-1 / IEC 61347-2-13 / IEC 61547</p>
Certification-認證-Certificación	     

Project	Fixture#	Date
		Firm



Ordering Information

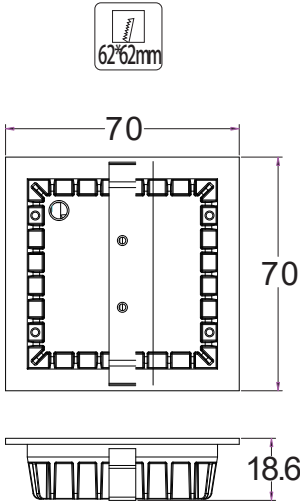
Choose the option that suits your need and write its corresponding code on the appropriate line to form the product code.

Example product code: [WADY](#)

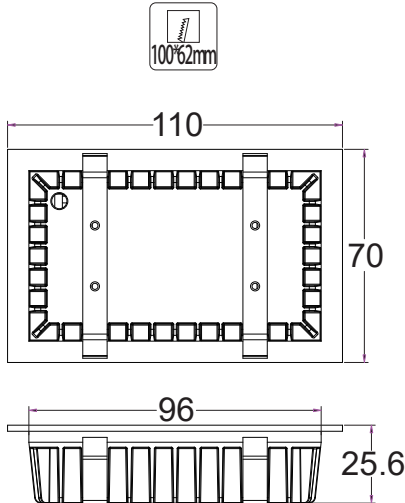
WADY - _____
Power Consumption

Power Consumption	
Code	Description
1.5W	1.5W @ W: 70 x L: 70 mm
3.5W	3.5W @ W: 110 x L: 70 mm
4.5W	4.5W @ W: 200 x L: 70mm
7W	7W @ W: 200 x L: 135mm

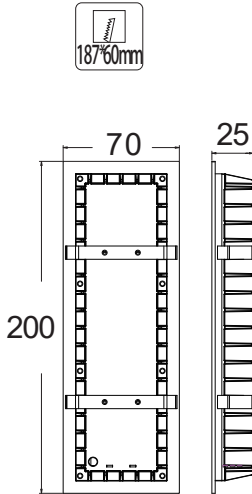
Technical Drawing



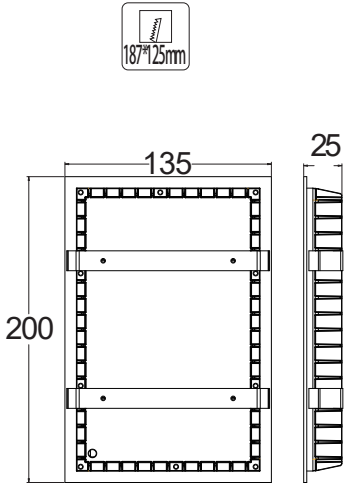
Tyep A



Tyep B



Tyep C



Tyep D

Unit: mm