








WALARY

W65mm 72W Max IP66



LED Linear Wallwasher light is a outdoor fixture with Mono Color , Tunable White and RGBW color for media façade application.
Control by DMX with built-in 16-bit PWM embedded LED IC, featuring 16-bit gray scale control, supports up to 65,536 gray scales for color depths.
House finished with Anti UV and corrosion -resistance- Anodised Aluminium and Tempered Glass.

Technical Data

Luminaire Type/ 安裝方式 Tipo de luminaria	Surface Mount Fixed or Adjustable Type-Adjustment Options ±90 tilt 固定明裝 或 ±90度可調安裝腳 Opciones de ajuste de tipo fijo o ajustable de montaje en superficie ± 90 de inclinación												
Color -顏色-Color	<ul style="list-style-type: none"> • RGBO (Orange White: 2700K) RGBW (Warm White: 3000K) RGBN(Nature White: 4000K) • RGBD (Day White: 5000K) RGBC (Cool White: 6500K) • RGB • MONO:2700K / 3000K / 4000K / 5000K / 6500K) • Tunable White (2700K to 6500K) 												
Power Consumption Max 燈具最大功率 Consumo de energía Max	72W @ L: 1000mm Tailor-made - 客制生產-Hecho a medida												
Input Voltage / 輸入電壓 Voltaje de entrada	DC24V												
Control Protocol-控制協議 Protocolo de Control (Optional)	<ul style="list-style-type: none"> • Integrated Decoder : DMX512 + DC24V • Remote LED Driver for 1-10V or Dali or Zigbee Wireless 												
Pixels & DMX Channels 像素和DMX 通道 Píxeles y canales DMX	<ul style="list-style-type: none"> • RGB: 12 PXL= 36 DMX Channels @ 1000mm • RGBW : 12 PXL= 48 DMX Channels @ 1000mm • Mono White : 1 PXL= 1 DMX Channels @ 1000mm • Tunable White : 1 PXL =2 DMX Channels @ 1000mm • Tailor-made - 客制生產-Hecho a medida 												
Color Range RGBW顏色範圍 Gama de colores	16.7 Million additive RGB colors and White LED 1670萬RGB顏色配合白光LED 16.7 Millones de colores aditivos RGB; LED blanco												
RGBW or Mono White Color Resolution with Gamma correction RGBW或具有伽馬校正的單色白顏色分辨率 RGBW o resolución de color blanco mono con corrección gamma	16-bit gray scale control and Gamma correction, supports up to 65,536 gray scales for color depths 16位灰度控制，支持高達65,536個灰度級的顏色深度 control de escala de grises de 16 bits, soporta hasta 65.536 escalas de gris para profundidades de color												
Beam Angle/光束角 ángulo de haz	15° / 20° / 40° / 20° x 40°												
LED Life/LED壽命 La vida del LED	>60,000 hours												
MacAdam Ellipses Binning 麥克亞當橢圓分級 Mac Adam binning elipse	Standard Deviation Colour Matching < 3 SDCM 標準偏差配色< 3 SDCM Coincidencia de color estándar Desviación < 3 SDCM												
Luminaire Efficacy-燈具效率 La eficacia de la luminaria Full Loading	<table border="1"> <tr> <td>• 60 Lm/w @ RGBO</td> <td>60 Lm/w @ RGBW</td> <td>70 Lm/w @ RGBN</td> </tr> <tr> <td>• 80 Lm/w @ RGBD</td> <td>80 Lm/w @ RGBC</td> <td>50 Lm/w @ RGB</td> </tr> <tr> <td>• 90 Lm/w(2700K)</td> <td>90 Lm/w(3000K)</td> <td>95 Lm/w(4000K)</td> </tr> <tr> <td>• 100 Lm/w(5000K)</td> <td>100 Lm/w(6500K)</td> <td>95 Lm/w Tunable White (2700-6500K)</td> </tr> </table>	• 60 Lm/w @ RGBO	60 Lm/w @ RGBW	70 Lm/w @ RGBN	• 80 Lm/w @ RGBD	80 Lm/w @ RGBC	50 Lm/w @ RGB	• 90 Lm/w(2700K)	90 Lm/w(3000K)	95 Lm/w(4000K)	• 100 Lm/w(5000K)	100 Lm/w(6500K)	95 Lm/w Tunable White (2700-6500K)
• 60 Lm/w @ RGBO	60 Lm/w @ RGBW	70 Lm/w @ RGBN											
• 80 Lm/w @ RGBD	80 Lm/w @ RGBC	50 Lm/w @ RGB											
• 90 Lm/w(2700K)	90 Lm/w(3000K)	95 Lm/w(4000K)											
• 100 Lm/w(5000K)	100 Lm/w(6500K)	95 Lm/w Tunable White (2700-6500K)											
LED Source Luminous Efficacy-LED光源光效 Fuente luminosa LED Eficacia	<table border="1"> <tr> <td>• 90 Lm/w @ RGBO</td> <td>90 Lm/w @ RGBW</td> <td>100 Lm/w @ RGBN</td> </tr> <tr> <td>• 110 Lm/w @ RGBD</td> <td>110 Lm/w @ RGBC</td> <td>75 Lm/w @ RGB</td> </tr> <tr> <td>• 120 Lm/w(2700K)</td> <td>120 Lm/w(3000K)</td> <td>125 Lm/w(4000K)</td> </tr> <tr> <td>• 130 Lm/w(5000K)</td> <td>130 Lm/w(6500K)</td> <td>125Lm/w Tunable White (2700-6500K)</td> </tr> </table>	• 90 Lm/w @ RGBO	90 Lm/w @ RGBW	100 Lm/w @ RGBN	• 110 Lm/w @ RGBD	110 Lm/w @ RGBC	75 Lm/w @ RGB	• 120 Lm/w(2700K)	120 Lm/w(3000K)	125 Lm/w(4000K)	• 130 Lm/w(5000K)	130 Lm/w(6500K)	125Lm/w Tunable White (2700-6500K)
• 90 Lm/w @ RGBO	90 Lm/w @ RGBW	100 Lm/w @ RGBN											
• 110 Lm/w @ RGBD	110 Lm/w @ RGBC	75 Lm/w @ RGB											
• 120 Lm/w(2700K)	120 Lm/w(3000K)	125 Lm/w(4000K)											
• 130 Lm/w(5000K)	130 Lm/w(6500K)	125Lm/w Tunable White (2700-6500K)											
Color Rendering Index-顯色指數 Índice de reproducción cromática	> 80 @ MONO White												
Housing materials/外殼材料 Materiales de la carcasa	Aluminium Alloy and Tempered Glass -鋁合金和鋼化玻璃 Aleación de aluminio y vidrio templado												
Trim Housing Color/ 邊框殼顏色	Anodised Aluminium Titanium and Tempered Glass /陽極氧化鋁鈦和鋼化玻璃 Aluminio anodizado titanio y vidrio templado Anodised Aluminium Black and Tempered Glass /陽極氧化鋁黑和鋼化玻璃 Aluminio anodizado Negro y vidrio templado Tailor-made/客制生產-Hecho a medida												
Operating Temperature Range / 工作溫度範圍 Rango de temperatura de funcionamiento	-20 °C / +55 °C												
Operating Humidity -工作濕度 Humedad de funcionamiento	0~90%, non-condensing-不結霜 sin condensación												
Ingress Protection/ 防護等級 Protección de ingreso	IP66												
Dimension/尺寸 / Dimensión	W: 65x H: 85 x L: 1000 mm Refer to Technical Drawing 請參閱技術圖紙 Consulte el dibujo técnico												
Comply Testing Standard 符合測試標準 Cumplir el estándar de prueba	LED Luminaires: IEC 60598-1 / IEC 60598-2-1/ IEC 62471 / IEC TR62778 / IEC 62031 / EN 55015 / IEC 61547												
Certification-認證-Certificación	      												

Project	Fixture#	Date
		Firm



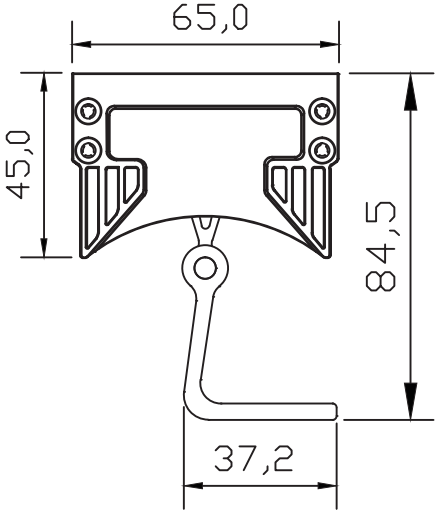
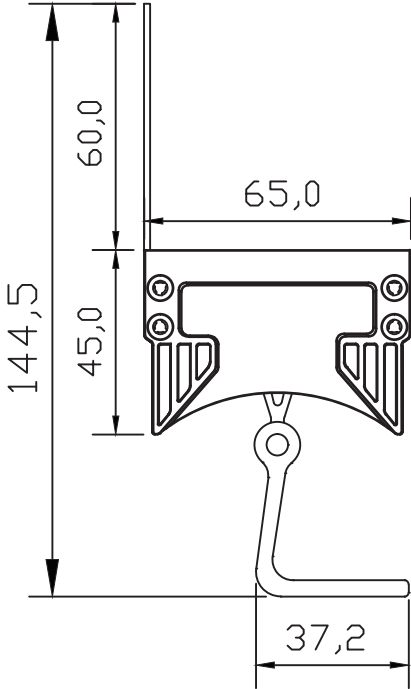
Ordering Information

Choose the option that suits your need and write its corresponding code on the appropriate line to form the product code.

Example product code: [WALARY-72W-RGB](#)

WALARY - - _____ - _____
Power Consumption
Color Temperture

Power Consumption		Color Temperture	
Code	Description	Code	Description
72W	72W Max. @L:1000mm	RGBO	RGBO(2700K)
XXW	Tailor-Made	RGBW	RGBW(3000K)
		RGBN	RGBN(4000K)
		RGBD	RGBD(5000K)
		RGBC	RGBC(6500K)
		RGB	RGB
		27	2700K@MONO
		30	3000K@MONO
		40	4000K@MONO
		50	5000K@MONO
		65	6500K@MONO
		TW	Tunable White (2700-6500K)



Unit: mm