


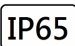




## WAYAD

4W-8W IP65



ARCHITECTURAL WALL LIGHT. Housing: die-cast aluminium, powder-coated, designed as heat sink and ABS plastic recessed housing. Anti-glare reflector and diffuser system made of Frosted tempered glass. LED module: CREE CRI>80 LM-80 performance approval >50,000 hours. Well balance light distribution and optimum lighting quality. Applications: schools, public buildings, etc. It's as well a great alternative to urban furniture due to its IP65 protection rating.

## Technical Data

Luminaire Type- 安裝方式 Tipo de luminaria	Recessed Wall Light Type 嵌入式燈具 Tipo de Recessed
Dimension-尺寸-Dimensión	<ul style="list-style-type: none"> <li>• W:74 x L:174 x D: 105 mm</li> <li>• W:76 x L:240 x D: 116 mm</li> <li>• W:76 x L:260 x D: 109 mm</li> </ul>
Input Voltage-輸入電壓-Voltaje de entrada	AC100-240V 50/60HZ
Power Consumption Max-燈具功率 Consumo de energía Max	<ul style="list-style-type: none"> <li>• 4W @ W:74 x L:174 x D: 105 mm</li> <li>• 6W @ W:76 x L:240 x D: 116 mm</li> <li>• 8W @ W:76 x L:260 x D: 109 mm</li> <li>•</li> </ul>
LED Driver Type LED驅動款式 Tipo de controlador LED	Integrated-type LED Driver--Refer to LED driver specification 請參閱LED驅動器規格 Consulte la especificación de controlador de LED 1. ON/OFF Switch AC100-240V 50/60HZ 2. ELV Dimming Driver (5-100%) AC 100-120V 50/60Hz or AC 200-240V 50/60HZ 3. 0-10V Dimming Driver AC100-240V 50/60HZ 4. Dali Dimming Driver AC100-240V 50/60HZ 5. DMX Driver AC100-240V 50/60HZ 6. RDM Driver AC100-240V 50/60HZ 7. Emergency Backup >2 hours or >3 hours @ < 24 charger hours 應急電池/Copia de seguridad de emergencia
LED Driver Features 驅動特性 Funciones del controlador de LED	EFFICIENCY (Typ.): >70%
Control Protocol-控制協議 Protocolo de Control	0-10V / Dali / DMX 512 / RDM / ZIGBEE Wireless Control
Beam Angle 光束角 ángulo de haz	Asymmetric
Light Source Brand-光源品牌-Fuente de luz de marca	CREE - ( Photobiological safety-IEC 62471 'Risk Group 1' (low risk) )
"Lumen Maintenance LM-80 Reported by TM-21"	1. L90(10k) = 50,700 hrs 2. L80(10k) > 63,500 hrs 3. L70(10k) > 63,500 hrs
LED Life-LED壽命-La vida del LED	>60,000 hours
Color Temperature -色溫 Temperatura del color	2700K / 3000K / 4000K / 5000K / 6500K
Color Rendering Index-顯色指數 Índice de reproducción cromática	> 80
MacAdam Ellipses Binning 麥克亞當橢圓分級 Mac Adam binning elipse	Standard Deviation Colour Matching < 3 SDCM 標準偏差配色 < 3 SDCM Coincidencia de color estándar Desviación < 3 SDCM
Luminaire Efficacy 燈具效率 La eficacia de la luminaria	<ul style="list-style-type: none"> <li>• 25 Lm/w(2700K),</li> <li>• 25 Lm/w(3000K),</li> <li>• 30 Lm/w(4000K),</li> <li>• 35 Lm/w(5000K),</li> <li>• 35 Lm/w(6500K),</li> </ul>
LED Source Luminous Efficacy LED光源光效 Fuente luminosa LED Eficacia	<ul style="list-style-type: none"> <li>• 100 Lm/w(2700K),</li> <li>• 100 Lm/w(3000K),</li> <li>• 105 Lm/w(4000K),</li> <li>• 120 Lm/w(5000K),</li> <li>• 120 Lm/w(6500K),</li> </ul>
Housing materials-外殼材料 Materiales de la carcasa	Die-cast aluminium and Glass 壓鑄鋁和玻璃 Die fundición de aluminio y Vidrio
Housing Color 外殼顏色 color de la carcasa	Dark Gray 深灰色 Dark Gray
Ingress Protection-防護等級 Protección de ingreso	IP65 - (IEC 60529)
Environment-使用環境-medio ambiente	Outdoor
Operating Humidity -工作濕度 Humedad de funcionamiento	0~90%, non-condensing-不結霜 sin condensación
Operating Temperature Range / 工作溫度範圍 Rango de temperatura de funcionamiento	-30 °C / +50 °C
Country of Origin 產地	PRC 中國
Comply Testing Standard 符合測試標準 Cumplir el estándar de prueba	LED Luminaires: IEC 60598-1 / IEC 60598-2-2 / Photometric data-IES format LED Driver: EN 55015 / IEC 61000-3-2 / IEC 61347-1 / IEC 61347-2-13 / IEC 61547
Certification-認證-Certificación	     

Project	Fixture#	Date
		Firm



## Ordering Information

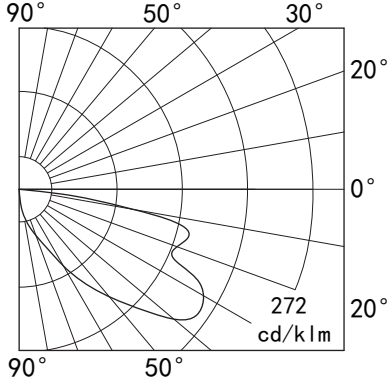
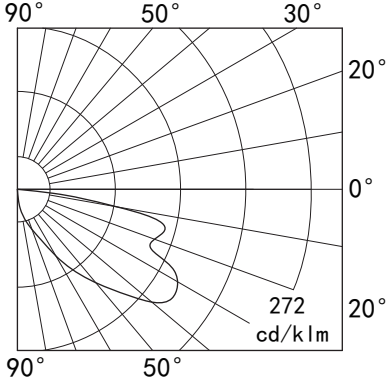
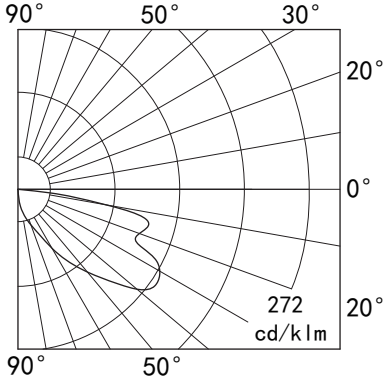
Choose the option that suits your need and write its corresponding code on the appropriate line to form the product code.

Example product code: [WAYAD-8W-SW-40](#)

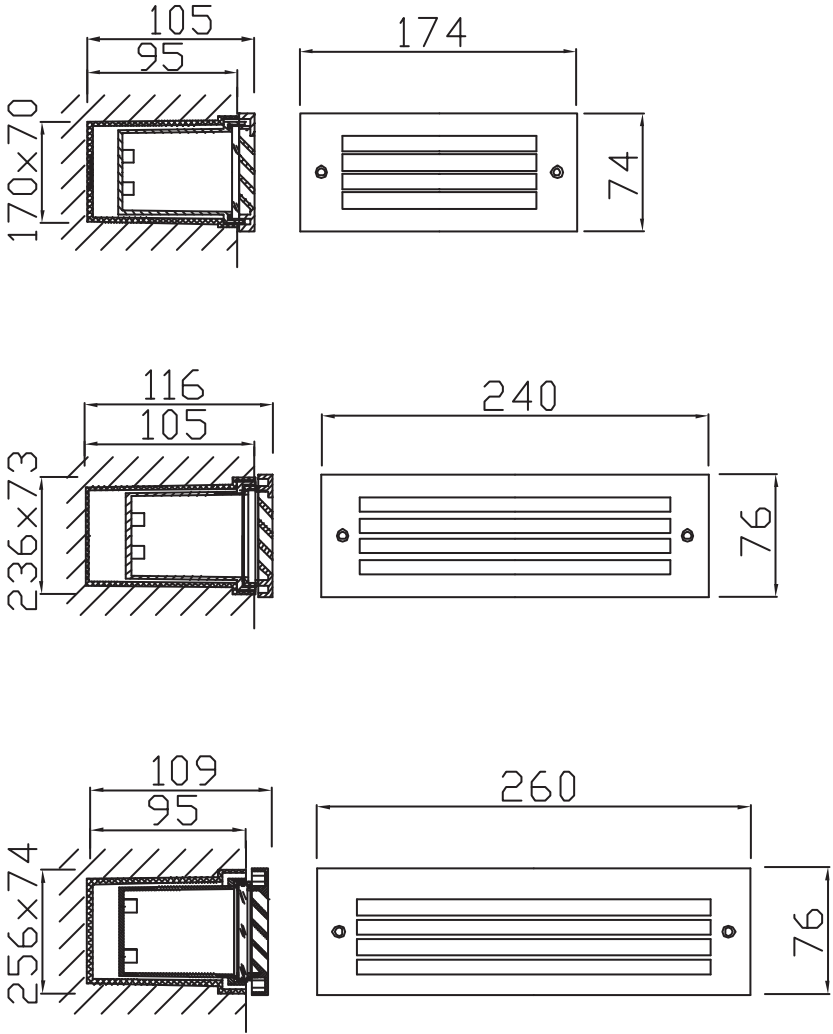
WAYAD - - -  
Power Consumption
LED Driver Type
Color Temperature

Power Consumption		LED Driver Type		Color Temperature	
Code	Description	Code	Description	Code	Description
4W	4W	SW	ON/OFF Switch	27	2700K
6W	6W	ELV	ELV Leading Edge Control	30	3000K
8W	8W	AN	Analog 0 -10V Dimming	40	4000K
		DA	DALI Dimming	50	5000K
		DMX	DMX Dimming	65	6500K
		RDM	RDM Dimming		
		EM	Emergency Battery		
		ZI	ZIGBEE Wireless Control		

# BEAM ANGLE



Technical Drawing



Unit: mm