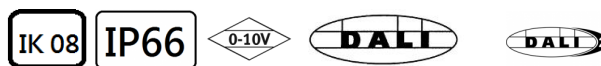


## WED

Dia130mm 4W IP66

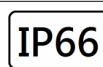


- Body and bracket in die-cast aluminium with tempered Glass
- Corrosion -resistance Powder coated
- Silicon rubber gasket
- Ingress Protection: IP66
- ABS plastic recessed housing.

## Technical Data

Luminaire Type-安裝方式 Tipo de luminaria	Recessed Wall Light Type嵌入式燈具 Tipo de Recessed	
Dimension-尺寸-Dimensión	Dia 130 x D: 90mm	Cut off: Dia 125x D: 55 mm
Input Voltage-輸入電壓-Voltaje de entrada	AC220-240V 50/60HZ with Remoted LED Driver	
Power Consumption Max-燈具功率 Consumo de energía Max	2W 4W	
LED Driver Type LED驅動款式 Tipo de controlador LED	Remoted -type LED Driver--Refer to LED driver specification 請參閱LED驅動器規格 Consulte la especificación de controlador de LED 1. ON/OFF Control 2. Dali Dimming 3. 1-10V Dimming	
Power Factor / 功率因數/Factor de potencia	PF: 0.9	
Beam Angle光束角ángulo de haz	Asymmetric	
Light Source Brand-光源品牌-Fuente de luz de marca	SMD2835	
Lumen Maintenance LM-80 Reported by TM-21@25°	L70> 65,000 hrs	
LED Life-LED壽命-La vida del LED	Ambient temperature ta = 25 °C > 200,000 h: L 80 B 50 Ambient temperature ta =50 °C > 150,000 h: L 80 B 50	
Color Temperature -色溫 Temperatura del color	2700K/3000K / 4000K / 5000K	
Color Rendering Index-顯色指數 Índice de reproducción cromática	> 80	
MacAdam Ellipses Binning 麥克亞當橢圓分級 Mac Adam binning elipse	Standard Deviation Colour Matching < 3 SDCM標準偏差配色< 3 SDCM Coincidencia de color estándar Desviación < 3 SDCM	
Luminaire Efficacy燈具效率 La eficacia de la luminaria	50 Lm/w(2700K & 3000K), 55 Lm/w(4000K), 60 Lm/w(5000K),	
LED Source Luminous EfficacyLED光源光效 Fuente luminosa LED Eficacia	140 Lm/w(3000K), 150 Lm/w(4000K), 160 Lm/w(5000K),	
Housing materials-外殼材料 Materiales de la carcasa	Die-cast aluminium with Tempered Glass 壓鑄鋁和鋼化玻璃 Aluminio fundido a presión y vidrio templado mate	
Housing Color外殼顏色color de la carcasa	Polyester powders Coating: Sand White RAL 9003 / Sand Black RAL 9005 聚酯粉末塗料: 砂白RAL 9003 / 砂黑 RAL 9005 Polvos de poliéster Revestimiento: Blanco Arena RAL 9003 / Negro Arena RAL 9005	
Ingress Protection-防護等級 Protección de ingreso	IP66	
Mech impact protection 機械衝擊保護 Protección contra impactos mecánicos	IK08	
Operating Humidity -工作濕度 Humedad de funcionamiento	0~90%, non-condensing-不結霜 sin condensación	
Operating Temperature Range / 工作溫度範圍 Rango de temperatura de funcionamiento	-30 °C / +50 °C	
Comply Testing Standard 符合測試標準 Cumplir el estándar de prueba	LED Luminaries: LVD: IEC/EN 60598-1;EN / IEC/EN 60598-2-2;IEC62471;IEC/EN 62031; IEC/EN 62493 ; IEC/EN 62471 (Risk Group 1) • LED Driver: IEC/EN 61347-1; IEC/EN 61347-2-13; IEC/EN 62384; IEC/EN 61000-3-2; • IEC/EN 61000-3-3;IEC/EN61574;EN 55015 ; IEC /EN 62384	

Certification-認證-Certificación



Project	Fixture#	Date
		Firm



## Ordering Information

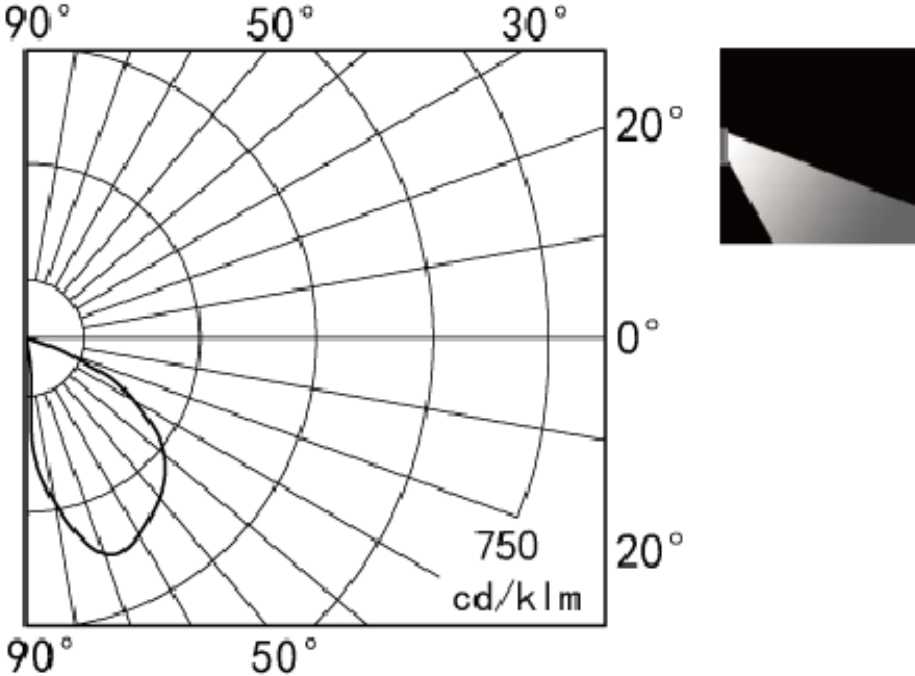
Choose the option that suits your need and write its corresponding code on the appropriate line to form the product code.

Example product code: [WED-2W](#)

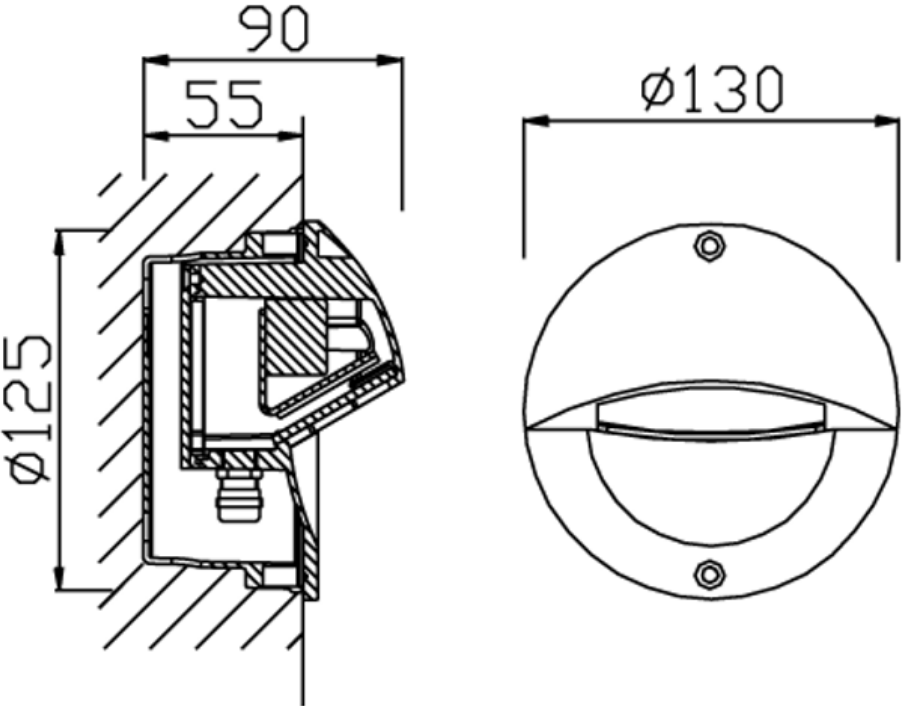
WED - \_\_\_\_\_  
Power Consumption

Power Consumption	
Code	Description
<a href="#">2W</a>	2W
<a href="#">4W</a>	4W

# BEAM ANGLE



Technical Drawing



Unit: mm