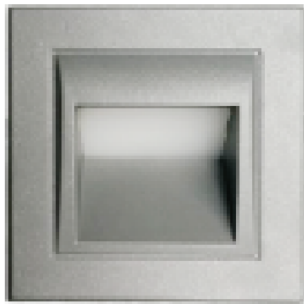


WED

4W- 8W




4W



6W / 8W

ARCHITECTURAL WALL LIGHT. Housing: die-cast aluminium, powder-coated, designed as heat sink and stainless steel recessed housing. Anti-glare reflector and diffusor system made of tempered glass. LED module: CREE COB CRI>80 LM-80 performance approval >50,000 hours. Well balance light distribution and optimum lighting quality. Applications: schools, public buildings, etc. It's as well a great alternative to urban furniture due to its IP65 protection rating.

Technical Data

Luminaire Type- 安裝方式 Tipo de luminaria	Recessed Wall Light Type 嵌入式燈具 Tipo de Recessed
Dimension-尺寸-Dimensión	• W 86 x H: 86 x D: 52mm ABS Plastic Embedded parts W 80 x H75 x D: 60mm • W 150 x H: 150 x D: 70mm ABS Plastic Embedded parts W 142 x H142 x D: 84mm
Input Voltage-輸入電壓-Voltaje de entrada	AC100-240V 50/60HZ
Power Consumption Max-燈具功率 Consumo de energía Max	• 4W @ W 86 x H: 86 x D: 52mm • 6W @W 150 x H: 150 x D: 70mm • 8W @W 150 x H: 150 x D: 70mm
LED Driver Type LED驅動款式 Tipo de controlador LED	Integrated-type LED Driver--Refer to LED driver specification 請參閱LED驅動器規格 Consulte la especificación de controlador de LED 1. ON/OFF Switch AC100-240V 50/60HZ
LED Driver Features 驅動特性 Funciones del controlador de LED	• PF>0.95 for >6W only • THD<18% for >6W only
Beam Angle 光束角 ángulo de haz	Asymmetric 不對稱 Asimétrico
Light Source Brand-光源品牌-Fuente de luz de marca	CREE
"Lumen Maintenance LM-80 Reported by TM-21"	L70(10k) > 63,500 hrs
LED Life-LED壽命-La vida del LED	>60,000 hours
Color Temperature -色溫 Temperatura del color	2700K / 3000K / 4000K / 5000K / 6500K
Color Rendering Index-顯色指數 Índice de reproducción cromática	> 80
MacAdam Ellipses Binning 麥克亞當橢圓分級 Mac Adam binning elipse	Standard Deviation Colour Matching < 3 SDCM 標準偏差配色< 3 SDCM Coincidencia de color estándar Desviación < 3 SDCM
Luminaire Efficacy燈具效率La eficacia de la luminaria	• 55 Lm/w(2700K), 55 Lm/w(3000K), 60 Lm/w(4000K), • 65 Lm/w(5000K), 65 Lm/w(6500K),
LED Source Luminous Efficacy LED光源光效 Fuente luminosa LED Eficacia	• 110 Lm/w(2700K), 110 Lm/w(3000K), 135 Lm/w(4000K), • 140 Lm/w(5000K), 140 Lm/w(6500K),
Housing materials-外殼材料 Materiales de la carcasa	Die-cast aluminium and Glass 壓鑄鋁和玻璃 Die fundición de aluminio y Vidrio
Housing Color外殼顏色color de la carcasa	Polyester powders Coating--Matte Black RAL 9005 or Matte Grey RAL9006 聚酯粉末塗料--啞光黑色RAL 9005 或啞光黑灰RAL9006 Polvos de poliéster Revestimiento--Matte Black RAL 9005 or Matte Grey RAL9006
Ingress Protection-防護等級 Protección de ingreso	IP65
Mech impact protection 機械衝擊保護 Protección contra impactos mecánicos	IK08
Operating Humidity -工作濕度 Humedad de funcionamiento	0~90%, non-condensing-不結霜 sin condensación
Operating Temperature Range / 工作溫度範圍 Rango de temperatura de funcion amiento	-30 °C / +50 °C
Comply Testing Standard 符合測試標準 Cumplir el estándar de prueba	LED Luminaires: IEC 60598-1 / IEC 60598-2-2 / Photometric data-IES format LED Driver: EN 55015 / IEC 61000-3-2 / IEC 61347-1 / IEC 61347-2-13 / IEC 61547
Certification-認證-Certificación	     

Project	Fixture#	Date
		Firm



Ordering Information

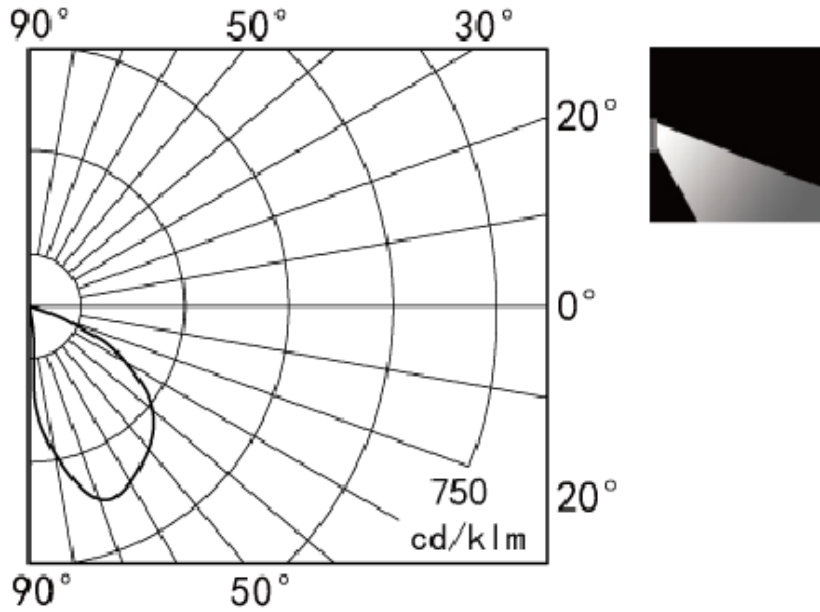
Choose the option that suits your need and write its corresponding code on the appropriate line to form the product code.

Example product code: [WED-8W](#)

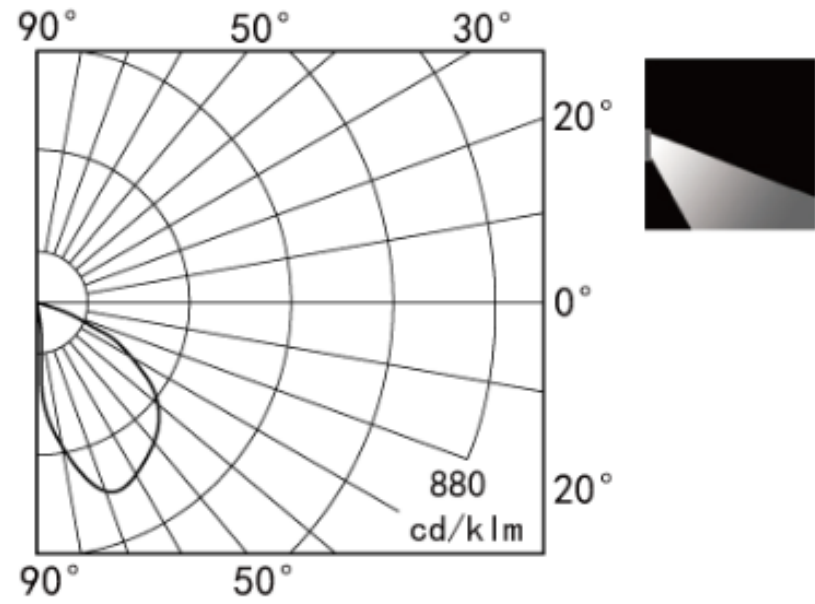
WED - - _____
Power

Power	
Code	Description
4W	4W @ W 86 x H: 86 x D: 52mm
6W	6W @W 150 x H: 150 x D: 70mm
8W	8W @W 150 x H: 150 x D: 70mm

BEAM ANGLE

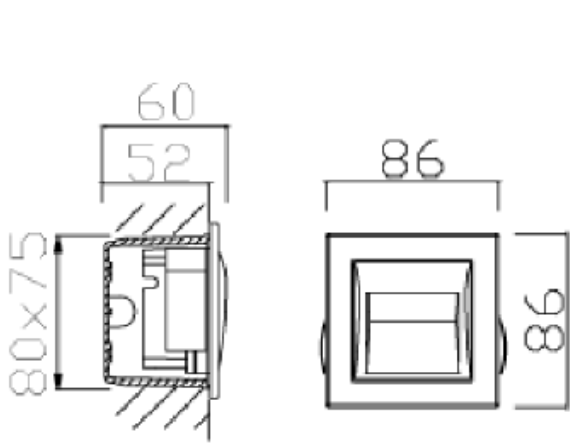


4W

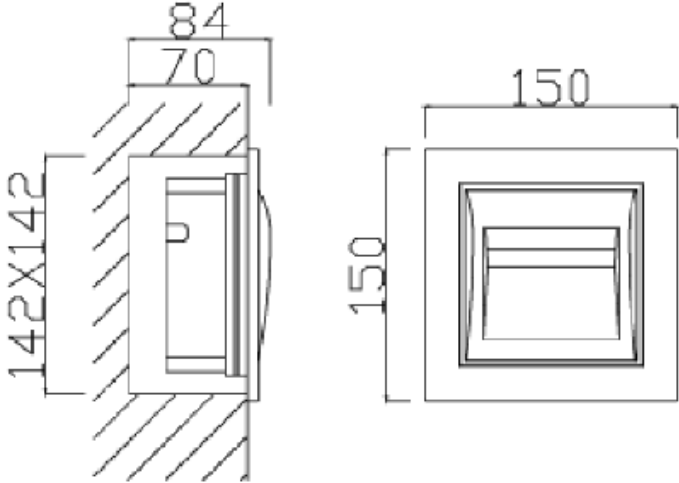


8W

Technical Drawing



4W



6W / 8W

Unit: mm