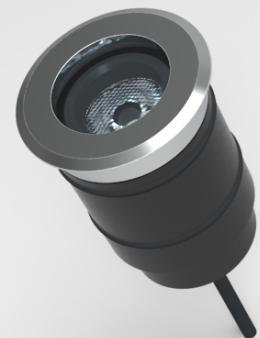


## WEER

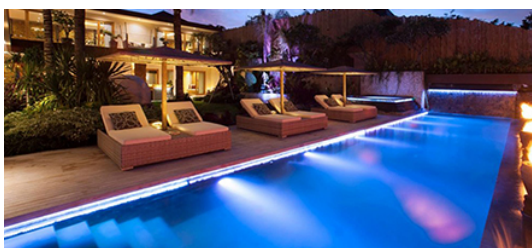
DIA 76 12W Max IP68



#316 Stainless Steel Chrome Black




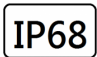






#316 Stainless Steel Cover



LED in-ground luminaires with small dimensions for flush-mounting installation. The luminaire housing made of die-cast aluminium and AISI 316 stainless steel Cover with tempered glass. Optics with PMMA lens. It is available in monocolour and RGB colour. Outer casing made of ABS material. It is able to be controlled by DMX and RDM. It's as well a great alternative to urban furniture due to its IP68 protection rating.

## Technical Data

Luminaire Type 安裝方式 Tipo de luminaria	Recessed In-Ground Type 內嵌式地埋燈 Empotrada en el suelo del Tipo		
Power Consumption Max 燈具功率 Consumo de energía Max	• 5W	8W	10W 12W
Input Voltage 輸入電壓 Voltaje de entrada	<ul style="list-style-type: none"> <li>• 1000mA @12W</li> <li>• 800mA @ 10W</li> <li>• 700mA @ 8W</li> <li>• 350mA @5W</li> <li>• DC24V + DMX 512 @ MONO @ RGBW</li> </ul>		
LED Driver Type LED驅動款式 Tipo de controlador LED	Remoted-type LED Driver--Refer to LED driver specification 請參閱LED驅動器規格 Consulte la especificación de controlador de LED 1. ON/OFF Switch AC100-240V 50/60HZ 2. ELV Dimming Driver (5-100%) AC 100-120V 50/60Hz or AC 200-240V 50/60HZ 3. 0-10V Dimming Driver AC100-240V 50/60HZ 4. Dali Dimming Driver AC100-240V 50/60HZ 5. DMX Driver AC100-240V 50/60HZ 6. RDM Driver AC100-240V 50/60HZ		
Control Protocol 控制協議 Protocolo de Control	0-10V / Dali / DMX 512 / RDM / ZIGBEE Wireless Control		
Beam Angle 光束角 ángulo de haz	10°	26°	40° 60°
Light Source Brand/光源品牌 Fuente de luz de marca	CREE - ( Photobiological safety-IEC 62471 'Risk Group 1' (low risk) )		
QTY of LEDs-燈珠數量-CANT de LEDs	1 PCS CREE LED COB Array		
"Lumen Maintenance LM-80 Reported by TM-21"	L70(10k) > 60,000 hrs		
LED Life/LED壽命 La vida del LED	>60,000 hours		
Color Temperature / 色溫 / Temperatura del color	2700K / 3000K / 4000K / 5000K / 6500K / RGBW (3500 / 4000K /5000K)		
Color Rendering Index/顯色指數 Índice de reproducción cromática	>80 >90		
MacAdam Ellipses Binning 麥克亞當橢圓分級 Mac Adam binning elipse	Standard Deviation Colour Matching < 3 SDCM 標準偏差配色 < 3 SDCM Coincidencia de color estándar Desviación < 3 SDCM		
Luminaire Efficacy 燈具效率 La eficacia de la luminaria	70 Lm/w(2700K), 90 Lm/w(5000K),	80 Lm/w(3000K), 90 Lm/w(6500K),	90 Lm/w(4000K), 50 Lm/w(RGBW),
LED Source Luminous Efficacy LED光源光效 Fuente luminosa LED Eficacia	120 Lm/w(2700K), 140Lm/w(5000K),	130 Lm/w(3000K), 140 Lm/w(6500K),	140 Lm/w(4000K), 100 Lm/w(RGBW),
Housing materials/外殼材料 Materiales de la carcasa	Die cast aluminium ,tempered glass wiht #316 Stainless Steel Cover 壓鑄鋁, 鋼化玻璃和#316不銹鋼面蓋 Aluminio fundido, vidrio templado de con # 316 de la cubierta de acero inoxidable		
Housing Color/ 外殼顏色 Color de la carcasa	<ul style="list-style-type: none"> <li>• #316 Stainless Steel Cover #316不銹鋼面蓋 # 316 de la cubierta de acero inoxidable</li> <li>• #316 Stainless Steel Chrome Black #316不銹鋼銘黑 # 316 Acero inoxidable Cromo Negro</li> </ul>		
Operating Temperature Range / 工作溫度範圍 Rango de temperatura de funcionamiento	-30 °C / +50 °C		
Operating Humidity -工作濕度 Humedad de funcionamiento	0~90%, non-condensing-不結霜 sin condensación		
Ingress Protection/ 防護等級 Protección de ingreso	IP68		
Mech impact protection 機械衝擊保護 Protección contra impactos mecánicos	IK08		
Dimension-尺寸-Dimensión Refer to Dimension Drawing請參閱尺寸圖 Consulte el dibujo de dimensiones	<ul style="list-style-type: none"> <li>• Type A</li> <li>• Type B</li> <li>• Type C</li> </ul>		
Comply Testing Standard 符合測試標準 Cumplir el estándar de prueba	<ul style="list-style-type: none"> <li>• LED Luminaries: LVD: IEC 60598-1; IEC 60598-2-1; IEC62471; IEC 62031; IEC62471, ROHS TM21-L70</li> <li>• LED Driver: IEC/EN 61347-1; IEC/EN 61347-2-13; IEC/EN 62384; IEC/EN 61000-3-2; IEC/EN 61000-3-3; IEC/EN61574; EN 55015 ; IEC /EN 62384</li> </ul>		
Certification-認證-Certificación	       		

Project	Fixture#	Date
		Firm



## Ordering Information

Choose the option that suits your need and write its corresponding code on the appropriate line to form the product code.

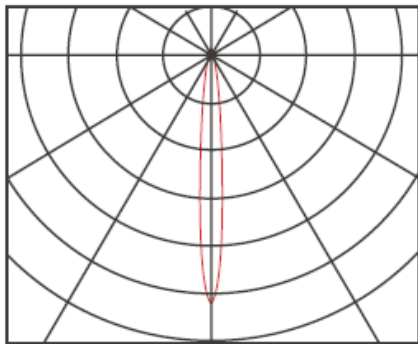
Example product code: [WEER-5W](#)

WEER - - \_\_\_\_\_  
Power Consumption

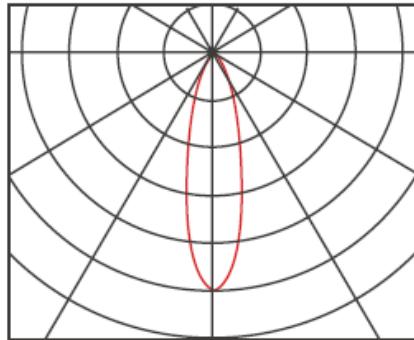
Power Consumption	
Code	Description
<a href="#">5W</a>	5W
<a href="#">8W</a>	8W
<a href="#">10W</a>	10W
<a href="#">12W</a>	12W

# Beam Angle

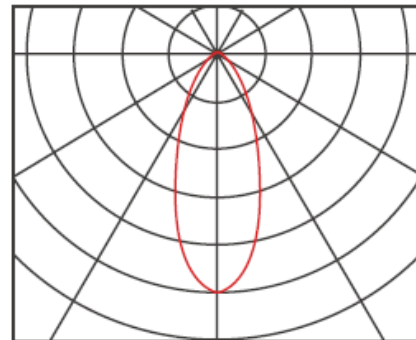
10°



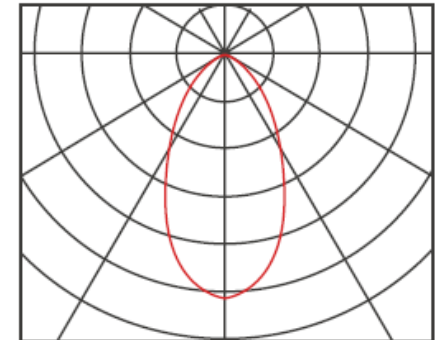
26°



40°

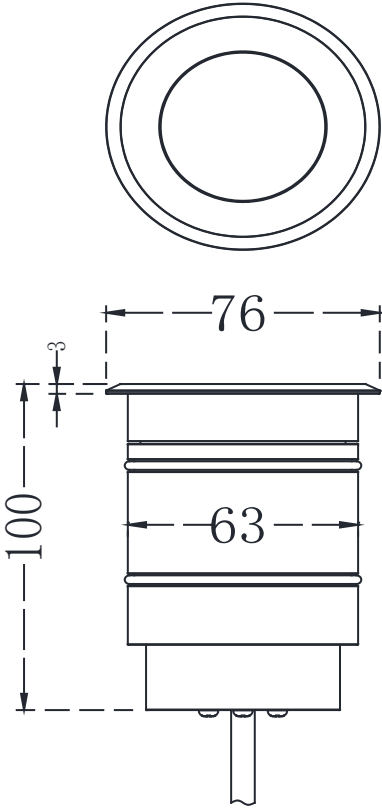


60°

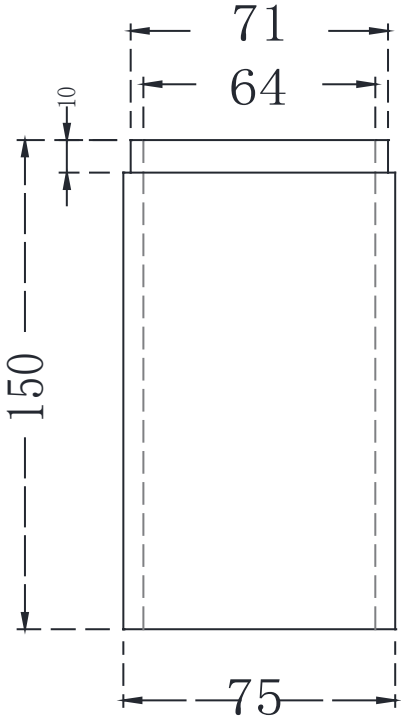
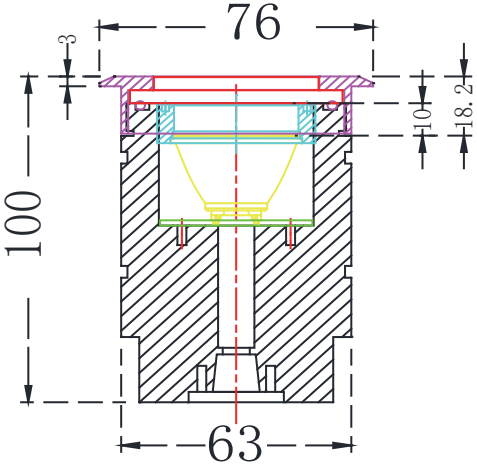


Technical Drawing

Type A



Dia 76 x H: 100mm



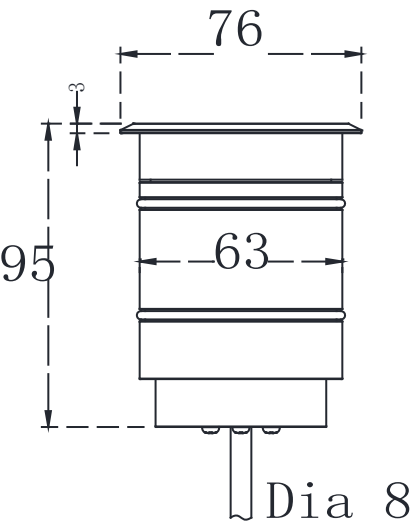
Embedded parts  
Cut off: Dia 75x H: 150mm

Unit: mm

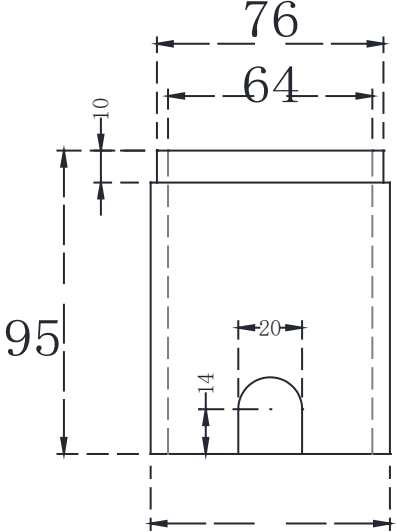
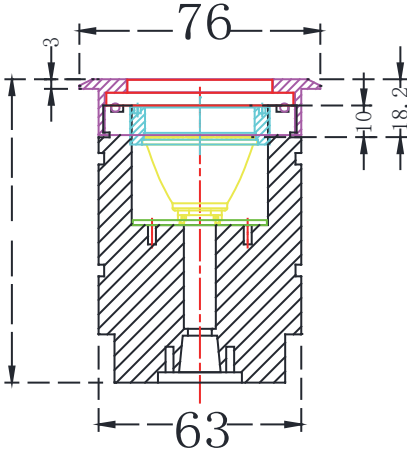
Accessories:  
Half Moon Black Coating Glass for Anti Glare

Technical Drawing

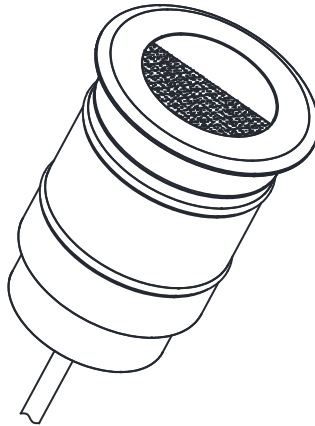
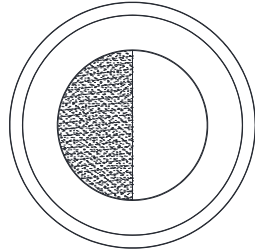
Type B



Dia 76 x H: 95mm



Embedded parts  
Cut off: Dia 75x H: 95mm

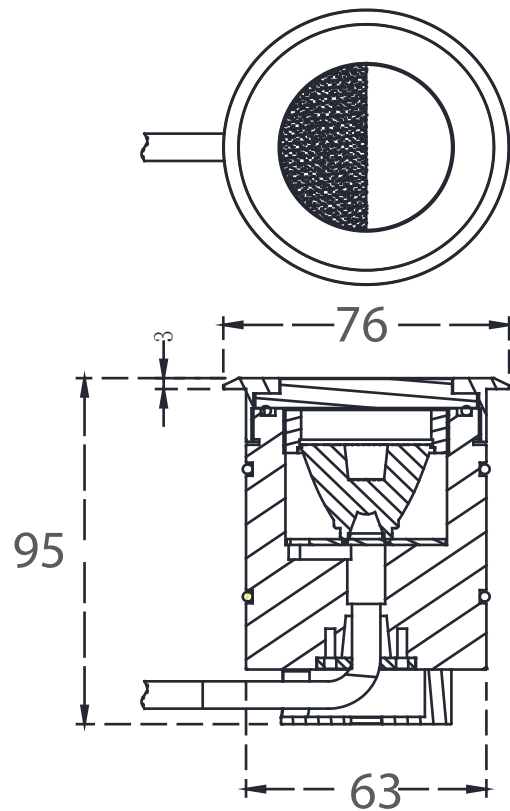


Unit: mm

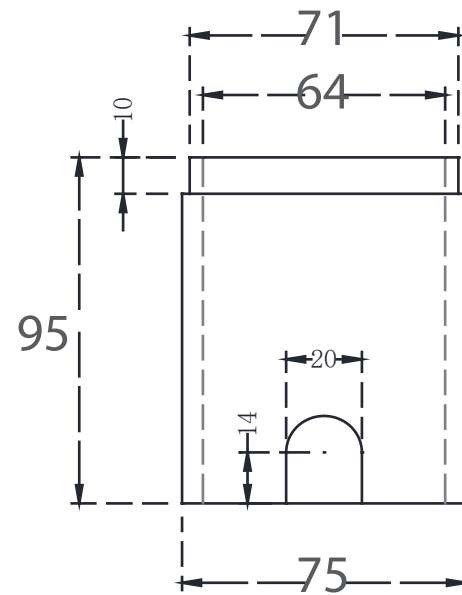
# Technical Drawing

## Type C

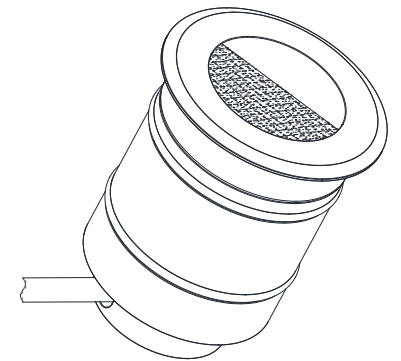
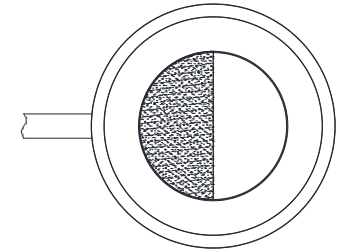
Accessories:  
Half Moon Black Coating Glass for Anti Glare



Dia 76 x H: 95mm



Embedded parts  
Cut off: Dia 75x H: 95mm



Unit: mm