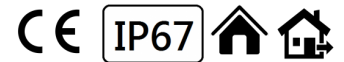


WEER

M18 Handrail Light IP67



LED handrail lighting system, suit for standard handrail made by stainless steel and aluminum.

Different colors from 2700- 6000K and blue for LEDs are available, IP67 waterproof.

Can be driven by Constant current LED power supply (350mA/500mA)

Aluminum anodized or stainless steel housing


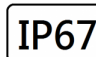


Customized sizes, shape and beam angle on request

For handrail Ø38~42mm, wall thickness need to be T:1.5~2mm

For handrail Ø42~100mm, wall thickness need to be T:1.5~6mm

For a M18 hole 3M waterproof internal connectors

Technical Data

Luminaire Type- 安裝方式 Tipo de luminaria	Rail Mounted 扶手安裝 Montado en riel
Dimension-尺寸-Dimensión	M18 x H 26mm
Power Consumption Max-燈具功率 Consumo de energía Max	1W
Input Voltage-輸入電壓-Voltaje de entrada	3V
LED Driver Type LED驅動款式 Tipo de controlador LED	Remote type LED Driver--Refer to LED driver specification 請參閱LED驅動器規格 Consulte la especificación de controlador de LED 1. Output 350mA (ON/OFF Switch AC220-240V 50/60HZ) 2. Output 350mA (0/1-10V Dimming Driver AC220-240V 50/60HZ) 3. Output 350mA (DALI Dimming Driver AC220-240V 50/60HZ)
LED Driver Features 驅動特性 Funciones del controlador de LED	Power Factor PF0.9 THD< 20%
Control Protocol-控制協議 Protocolo de Control	0/1-10V / DALI
Beam Angle 光束角 ángulo de haz	15° / 30° / 55°
Light Source Brand-光源品牌-Fuente de luz de marca	Lumileds / Cree
"Lumen Maintenance LM-80 Reported by TM-21"	1. L70 > 54,000 hrs
LED Life-LED壽命-La vida del LED	>100,000 hours
Color Temperature -色溫 Temperatura del color	2700K / 3000K / 4000K/ 5700K / 6500K
Color Rendering Index-顯色指數 Índice de reproducción cromática	> 80
MacAdam Ellipses Binning 麥克亞當橢圓分級 Mac Adam binning elipse	Standard Deviation Colour Matching < 3 SCDM 標準偏差配色 < 3 SCDM Coincidencia de color estándar Desviación
Luminaire Efficacy 燈具效率 La eficacia de la luminaria	50 Lm/W (2700K) 55 Lm/w (3000K), 60 Lm/w (4000K), 65 Lm/w (5700K), 65 Lm/w (6500K)
LED Source Luminous Efficacy LED光源光效 Fuente luminosa LED Eficacia	120 Lm/W (2700K) 130 Lm/w (3000K), 140 Lm/w (4000K), 150 Lm/w (5700K), 150 Lm/w (6500K)
Housing materials-外殼材料 Materiales de la carcasa	Stainless Steel & PMMA Lens 不銹鋼和 PMMA 透鏡片 Lente de acero inoxidable y PMMA
Housing Color 外殼顏色 color de la carcasa	Bright Silver 亮銀色 Plata brillante
Ingress Protection-防護等級 Protección de ingreso	IP67
Environment-使用環境-medio ambiente	Indoor / Outdoor
Net Weight /Gross Weight 淨重/毛重 pPeso Neto / Peso bruto	0.2 KG
Comply Testing Standard 符合測試標準 Cumplir el estándar de prueba	LED Luminaires: IEC 60598-1 / IEC 60598-2-1/ Photometric data-IES format LED Driver: EN 55015 / IEC 61000-3-2 / IEC 61347-1 / IEC 61347-2-13 / IEC 61547
Certification-認證-Certificación	   

Project	Fixture#	Date
		Firm



Ordering Information

Choose the option that suits your need and write its corresponding code on the appropriate line to form the product code.

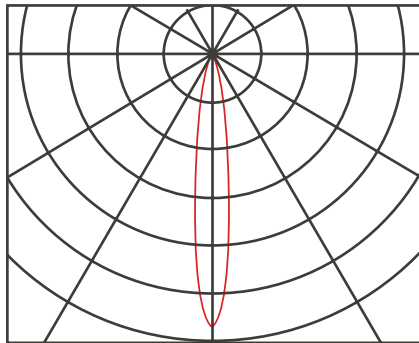
Example product code: [WEER-1W](#)

WEER - 1W
[Power Consumption](#)

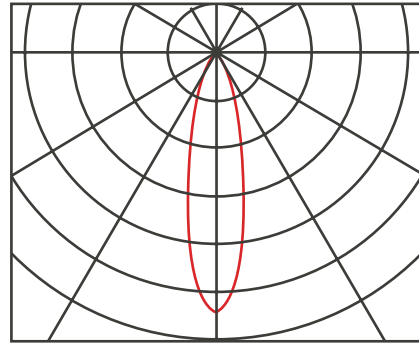
Power Consumption	
Code	Description
1W	1W

Beam Angle

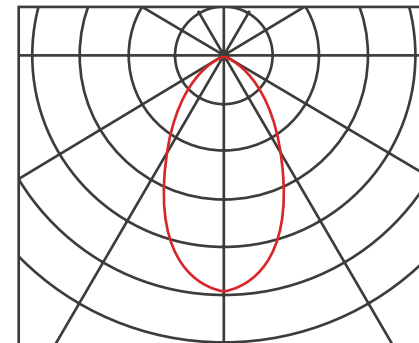
15°



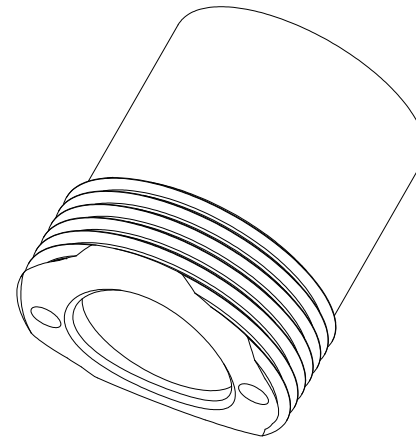
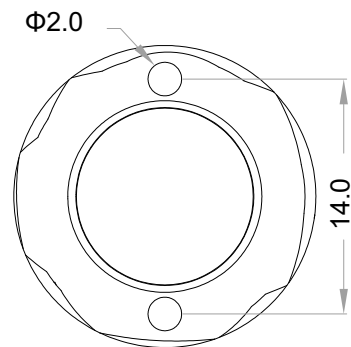
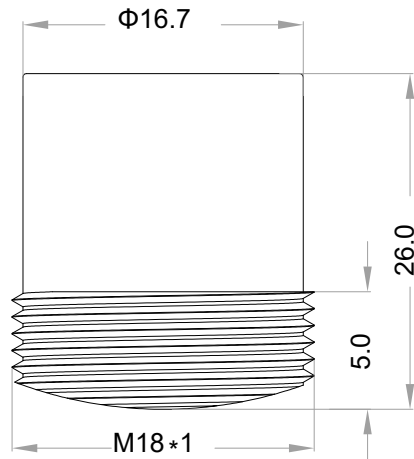
30°



55°

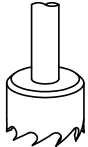


Technical Drawing



Unit: mm

Installation Method



HOLE SAW

Hole saw suitable for handrail thickness < 3mm, 300-700RPM, can be used not more than 20 times

