

WOYE

3W -7W IP65



Cover Type: A



Cover Type: B



Cover Type: C



- Body and bracket in die-cast aluminium with tempered Glass
- Corrosion -resistance Powder coated
- Silicon rubber gasket
- Ingress Protection: IP65
- ABS plastic recessed housing.
- 3 Surface Covers Have Special Output Lighting Shape, Improve The Compatibility Of The Lighting, One Lampb Have Different Lighting Effects.

Technical Data

Luminaire Type-安裝方式 Tipo de luminaria	Recessed Wall Light Type嵌入式燈具 Tipo de Recessed
Dimension-尺寸-Dimensión	Cover Type A: Dia 100x D: 113mm Cut off: 95mm Cover Type B: Dia 100x D: 116mm Cut off: 95mm Cover Type C: Dia 100x D: 113mm Cut off: 95mm
Input Voltage-輸入電壓-Voltaje de entrada	AC220-240V 50/60HZ
Power Consumption Max-燈具功率 Consumo de energía Max	• Type A & Type C : 3W • Type B : 3W 5W 7W
LED Driver Type LED驅動款式 Tipo de controlador LED	Integrated-type LED Driver--Refer to LED driver specification 請參閱LED驅動器規格 Consulte la especificación de controlador de LED 1. ON/OFF Control
Power Factor / 功率因數/Factor de potencia	• PF:>0.5 • PF: 0.9
Beam Angle光束角ángulo de haz	Asymmetric
Light Source Brand-光源品牌-Fuente de luz de marca	CITIZEN COB LED
Lumen Maintenance LM-80 Reported by TM-21@25°	L70> 65,000 hrs
LED Life-LED壽命-La vida del LED	Ambient temperature ta = 25 °C > 200,000 h: L 80 B 50 Ambient temperature ta =50 °C > 150,000 h: L 80 B 50
Color Temperature -色溫 Temperatura del color	2700K/3000K / 4000K / 5000K
Color Rendering Index-顯色指數 Índice de reproducción cromática	> 80
MacAdam Ellipses Binning 麥克亞當橢圓分級 Mac Adam binning ellipse	Standard Deviation Colour Matching < 3 SDCM標準偏差配色< 3 SDCM Coincidencia de color estándar Desviación < 3 SDCM
Luminaire Efficacy燈具效率 La eficacia de la luminaria	Cover Type A 60 Lm/w(2700K & 3000K), 70 Lm/w(4000K), 80 Lm/w(5000K), Cover Type B & C 30 Lm/w(2700K & 3000K), 40 Lm/w(4000K), 45Lm/w(5000K),
LED Source Luminous EfficacyLED光源光效 Fuente luminosa LED Eficacia	140 Lm/w(3000K), 150 Lm/w(4000K), 160 Lm/w(5000K),
Housing materials-外殼材料 Materiales de la carcasa	Die-cast aluminium with Tempered Glass 壓鑄鋁和抗紫外線透明 PC罩 Aluminio fundido a presión y vidrio templado mate
Housing Color外殼顏色color de la carcasa	Polyester powders Coating: Sand White RAL 9003 / Sand Black RAL 9005 聚酯粉末塗料: 砂白RAL 9003 / 砂黑 RAL 9005 Polvos de poliéster Revestimiento: Blanco Arena RAL 9003 / Negro Arena RAL 9005
Ingress Protection-防護等級 Protección de ingreso	IP65
Mech impact protection 機械衝擊保護 Protección contra impactos mecánicos	IK08
Operating Humidity -工作濕度 Humedad de funcionamiento	0~90%, non-condensing-不結霜 sin condensación
Operating Temperature Range / 工作溫度範圍 Rango de temperatura de funcion amento	-30 °C / +50 °C
Comply Testing Standard 符合測試標準 Cumplir el estándar de prueba	LED Luminaries: LVD: IEC/EN 60598-1;EN / IEC/EN 60598-2-2;IEC62471;IEC/EN 62031; IEC/EN 62493 ; IEC/EN 62471 (Risk Group 1) • LED Driver: IEC/EN 61347-1; IEC/EN 61347-2-13; IEC/EN 62384; IEC/EN 61000-3-2; • IEC/EN 61000-3-3;IEC/EN61574;EN 55015 ; IEC /EN 62384

Certification-認證-Certificación



Project	Fixture#	Date
		Firm

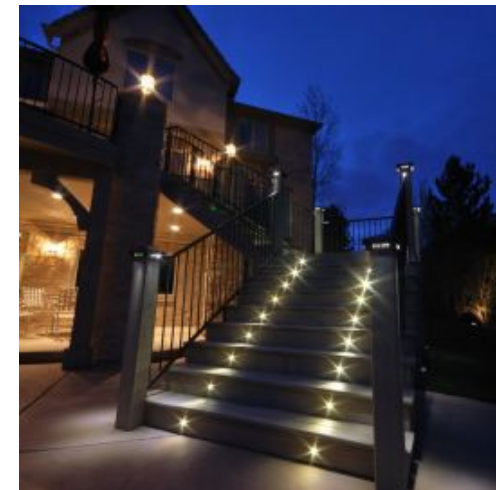
Ordering Information

Choose the option that suits your need and write its corresponding code on the appropriate line to form the product code.

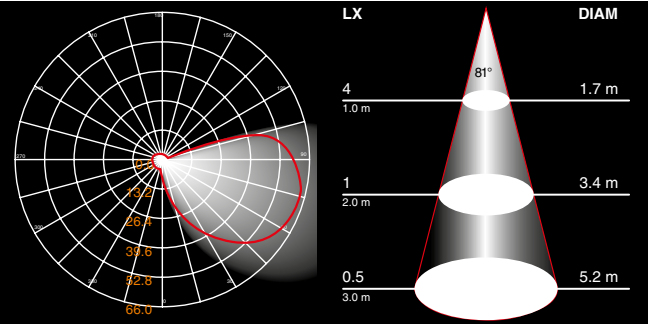
Example product code: [WOYE-3W](#)

WOY - _____
Power Consumption

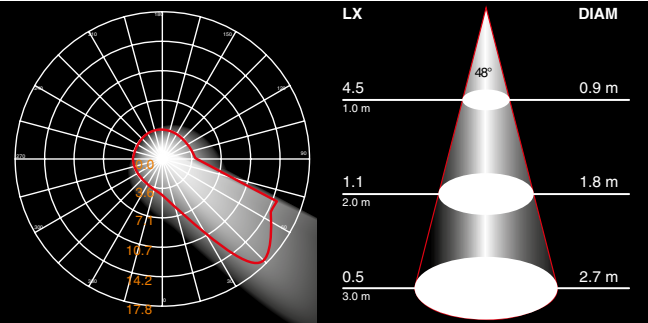
Power Consumption	
Code	Description
3W	3W Type A or Type C
3W	3W Type B
5W	5W Type B
7W	7W Type B



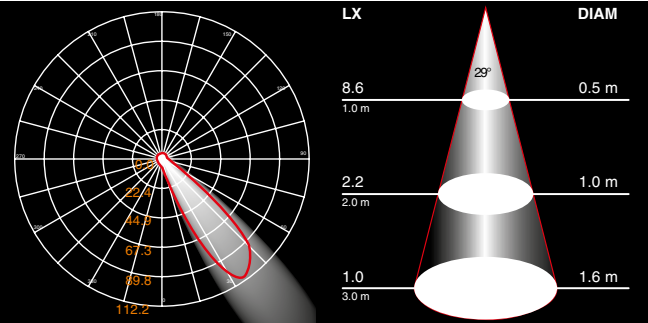
BEAM ANGLE



Cover Type: A

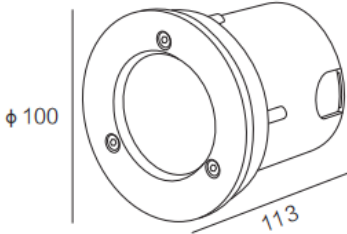


Cover Type: B

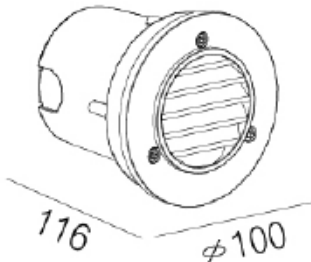


Cover Type: C

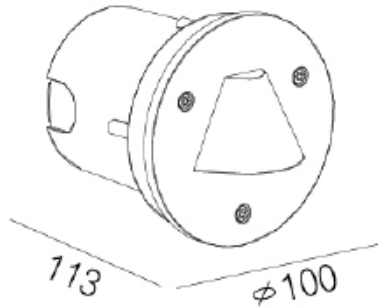
Technical Drawing



Φ 95mm
Cover Type: A
Net Weight: 0.45kg



Φ 95mm
Cover Type B
Net Weight: 0.4kg



Φ 95mm
Cover Type C
Net Weight: 0.4kg

Unit: mm