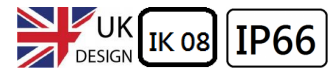
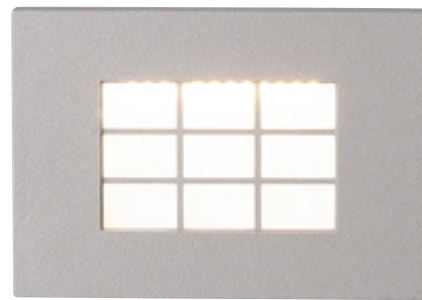


WOYE-X

4W IP66



Cover Type: A



Cover Type: B




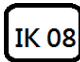
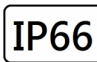
Cover Type: C



Cover Type: D

- Body and bracket in die-cast aluminium with Anti UV Clear PC Cover
- Corrosion -resistance Powder coated
- Silicon rubber gasket
- Ingress Protection: IP66
- ABS plastic recessed housing.

Technical Data

Luminaire Type-安裝方式 Tipo de luminaria	Recessed Wall Light Type嵌入式燈具 Tipo de Recessed
Dimension-尺寸-Dimensión	<ul style="list-style-type: none"> • Cover Type A: W: 107 x H: 75 x D: 65mm • Cover Type B: W: 107 x H: 75 x D: 65mm • Cover Type C: W: 107 x H: 75 x D: 70mm • Cover Type D: W: 107 x H: 75 x D: 93mm
Input Voltage-輸入電壓-Voltaje de entrada	AC220-240V 50/60HZ
Power Consumption Max-燈具功率 Consumo de energía Max	<ul style="list-style-type: none"> • 2W • 4W
LED Driver Type LED驅動款式 Tipo de controlador LED	Integrated-type LED Driver--Refer to LED driver specification 請參閱LED驅動器規格 Consulte la especificación de controlador de LED 1. ON/OFF Control
Power Factor / 功率因數/Factor de potencia	• PF:>0.9 or Normal PF:>0.5
Beam Angle光束角ángulo de haz	Asymmetric
Light Source Brand-光源品牌-Fuente de luz de marca	LUMILEDS
"Lumen Maintenance LM-80 Reported by TM-21"	L70(10k) > 63,500 hrs
LED Life-LED壽命-La vida del LED	>60,000 hours
Color Temperature -色溫 Temperatura del color	2700K/3000K / 4000K / 5000K
Color Rendering Index-顯色指數 Índice de reproducción cromática	> 80
MacAdam Ellipses Binning 麥克亞當橢圓分級 Mac Adam binning elipse	Standard Deviation Colour Matching < 3 SDCM標準偏差配色< 3 SDCM Coincidencia de color estándar Desviación < 3 SDCM
Luminaire Efficacy燈具效率 La eficacia de la luminaria	<ul style="list-style-type: none"> • Cover Type A&B: 60 Lm/w(2700K & 3000K), 70 Lm/w(4000K), 80 Lm/w(5000K), • Cover Type C&D: 30 Lm/w(2700K & 3000K), 40 Lm/w(4000K), 45Lm/w(5000K),
LED Source Luminous EfficacyLED光源光效 Fuente luminosa LED Eficacia	120 Lm/w(3000K), 130 Lm/w(4000K), 130 Lm/w(5000K),
Housing materials-外殼材料 Materiales de la carcasa	Die-cast aluminium with Anti UV Clear Polycarbonate Diffuser 壓鑄鋁和抗紫外線透明 PC罩 Aluminio fundido a presión y vidrio templado mate
Housing Color外殼顏色color de la carcasa	Sand White RAL 9003 / Sand Black RAL 9005 / Sand Black Gray RAL7021 砂白RAL 9003 / 砂黑 RAL 9005 / 砂黑灰色 RAL7021 Blanco Arena RAL 9003 / Negro Arena RAL 9005 / Negro Arena Gris RAL7021
Ingress Protection-防護等級 Protección de ingreso	IP66
Mech impact protection 機械衝擊保護 Protección contra impactos mecánicos	IK08
Operating Humidity -工作濕度 Humedad de funcionamiento	0~90%, non-condensing-不結霜 sin condensación
Operating Temperature Range / 工作溫度範圍 Rango de temperatura de funcionamiento	-30 °C / +50 °C
Comply Testing Standard 符合測試標準 Cumplir el estándar de prueba	LED Luminaries: LVD: IEC/EN 60598-1;EN / IEC/EN 60598-2-2;IEC62471;IEC/EN 62031; IEC/EN 62493 ; IEC/EN 62471 (Risk Group 1) • LED Driver: IEC/EN 61347-1; IEC/EN 61347-2-13; IEC/EN 62384; IEC/EN 61000-3-2; • IEC/EN 61000-3-3;IEC/EN61574;EN 55015 ; IEC /EN 62384
Certification-認證-Certificación	  

Project	Fixture#	Date
		Firm

Ordering Information

Choose the option that suits your need and write its corresponding code on the appropriate line to form the product code.

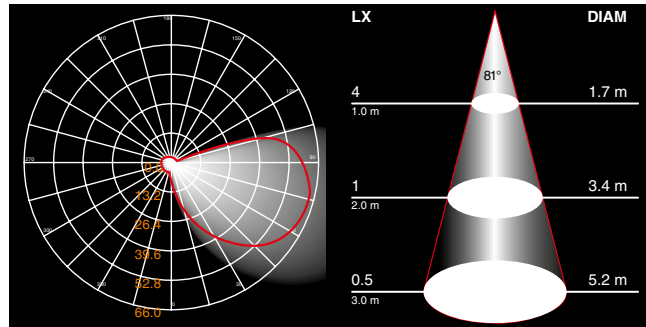
Example product code: [WOYE-X-4W-A](#)

WOYE-X - - - -
Power Consumption
Cover Type

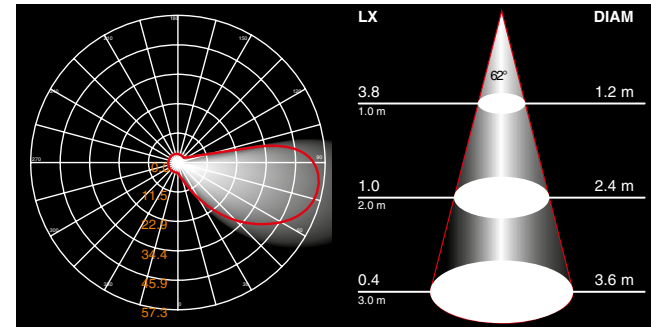
Power Consumption		Cover Type	
Code	Description	Code	Description
2W	2W	A	Cover Type: A
4W	4W	B	Cover Type: B
		C	Cover Type: C
		D	Cover Type: D



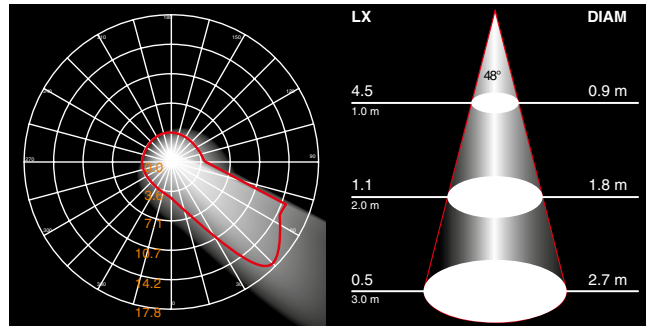
BEAM ANGLE



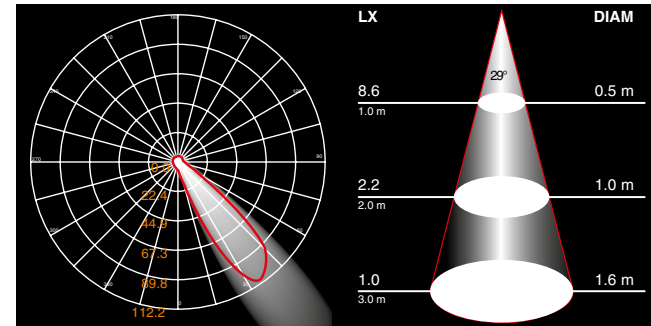
Cover Type: A



Cover Type: B

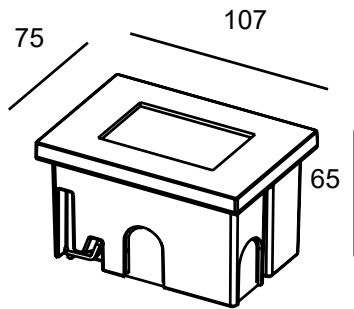


Cover Type: C

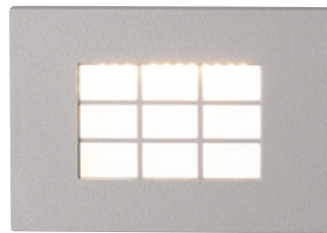
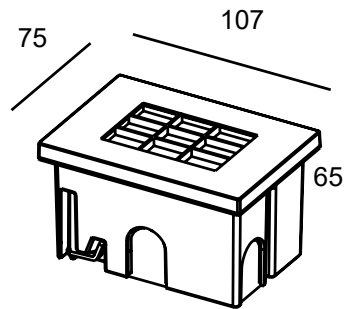


Cover Type: D

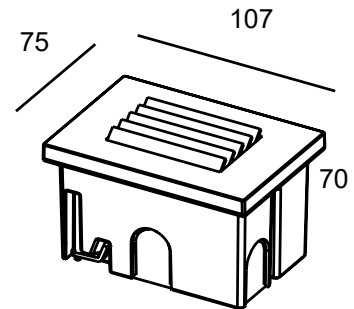
Technical Drawing



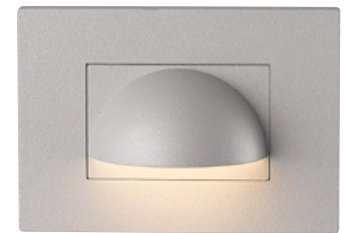
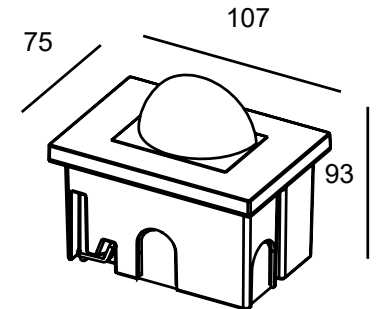
Cover Type: A



Cover Type B



Cover Type C



Cover Type: D

Unit: mm